



Chipsmall Limited consists of a professional team with an average of over 10 year of expertise in the distribution of electronic components. Based in Hongkong, we have already established firm and mutual-benefit business relationships with customers from,Europe,America and south Asia,supplying obsolete and hard-to-find components to meet their specific needs.

With the principle of "Quality Parts,Customers Priority,Honest Operation,and Considerate Service",our business mainly focus on the distribution of electronic components. Line cards we deal with include Microchip,ALPS,ROHM,Xilinx,Pulse,ON,Everlight and Freescale. Main products comprise IC,Modules,Potentiometer,IC Socket,Relay,Connector.Our parts cover such applications as commercial,industrial, and automotives areas.

We are looking forward to setting up business relationship with you and hope to provide you with the best service and solution. Let us make a better world for our industry!



Contact us

Tel: +86-755-8981 8866 Fax: +86-755-8427 6832

Email & Skype: info@chipsmall.com Web: www.chipsmall.com

Address: A1208, Overseas Decoration Building, #122 Zhenhua RD., Futian, Shenzhen, China



DWG NO.

DO NOT SCALE

METRIC

3rd ANGLE PROJECTION

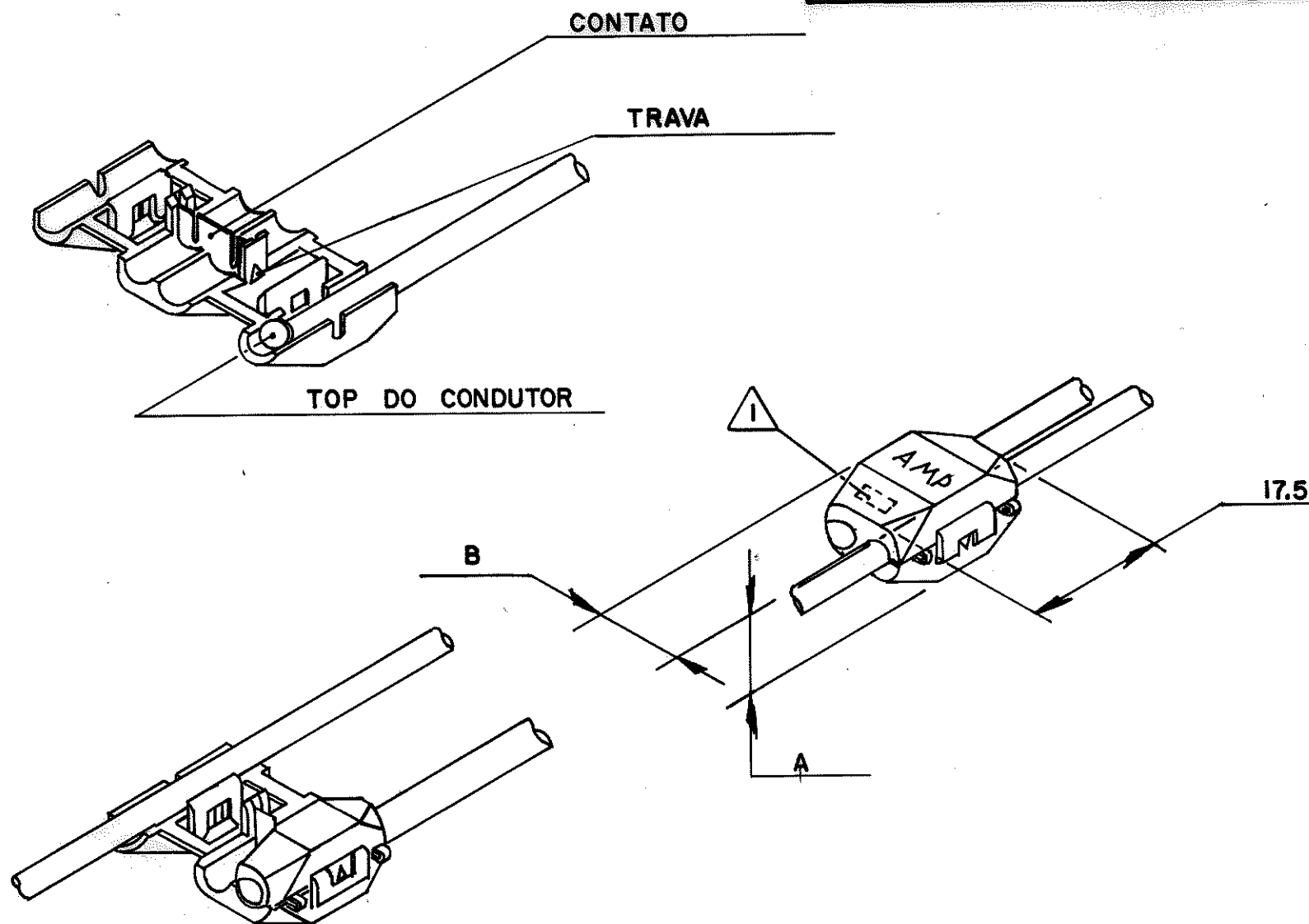
REQ. PER ASSY

ITEM

DESCRIPTION

MATERIAL

FINISH



- ⚠️ 1 GRAVAR BITOLA DE FIOS DE ACORDO COM TABELA ABAIXO.
- ⚠️ 2 ETIQUETA PN 493294-1 APENAS PARA PMSP.
- ⚠️ 1 ENGRAVE WIRE DIMENSION ACC. TO TABLE BELLOW.
- ⚠️ 2 LABEL PN 493294-1 ONLY FOR PMSP.
- ⚠️ 3 OBSOLETE PARTS: OBSOLETE CIS STREAMLINING PER D.RENAUD/D.SINISI

⚠️ 3 OBSOLETE	↑	↑	↑	05 - 0,8	RED	↑	↑	626437-4
	↑	↑	↑	↑	↑	↑	↑	626437-3 ⚠️ 2
	12,6	10,0	4	1,0 - 2,5	BLUE	NYLON 6/6	TIN BRASS	626437-2
	B	A	∅ MAX. ISOLATING (mm)	WIRE DIM. mm ² ⚠️ 1	COLOUR	ISOLATOR	CONTACT	626437-1
								PART NUMBER

CUSTOMER DWG
for REFERENCE ONLY

THIS DRAWING IS UNPUBLISHED RELEASED FOR PUBLICATION
© COPYRIGHT 19 BY AMP DO BRASIL LTDA S.P. ALL INTERNATIONAL RIGHTS RESERVED AMP PRODUCTS MAY BE COVERED BY U.S. AND FOREIGN PATENTS AND/OR PATENTS PENDING.

TOLERANCES UNLESS OTHERWISE STATED
DEC. ± 1.0
ANGLES ± 1°

DR. 04 DEC 97
C.A.FERNANDES

AMP AMP do BRASIL LTDA.
São Paulo, Brasil

E1	REVISED PER ECO-09-026444	KK	AEG	27NOV09	CHK.	15 Jan 98
E	REVISED BY LE.10.0445/04	H.C.		21 JAN 03	J.A.VIEIRA	
D	REVISED BY LE.10.0277/04	H.C.		28 SEP 04		
C1	REDRAW LBOO 437/97	C.A.F.		4.12.97		
ISS	REVISION RECORD	ECN	DR	DATE	APP.	J.A.LA SALVIA
			CHK			

DESCRIPTION
ELECTRO-TAP

DWG NO. **A3 C 626437**

SHEET 1 OF 1