



Chipsmall Limited consists of a professional team with an average of over 10 year of expertise in the distribution of electronic components. Based in Hongkong, we have already established firm and mutual-benefit business relationships with customers from,Europe,America and south Asia,supplying obsolete and hard-to-find components to meet their specific needs.

With the principle of “Quality Parts,Customers Priority,Honest Operation,and Considerate Service”,our business mainly focus on the distribution of electronic components. Line cards we deal with include Microchip,ALPS,ROHM,Xilinx,Pulse,ON,Everlight and Freescale. Main products comprise IC,Modules,Potentiometer,IC Socket,Relay,Connector.Our parts cover such applications as commercial,industrial, and automotives areas.

We are looking forward to setting up business relationship with you and hope to provide you with the best service and solution. Let us make a better world for our industry!



Contact us

Tel: +86-755-8981 8866 Fax: +86-755-8427 6832

Email & Skype: info@chipsmall.com Web: www.chipsmall.com

Address: A1208, Overseas Decoration Building, #122 Zhenhua RD., Futian, Shenzhen, China

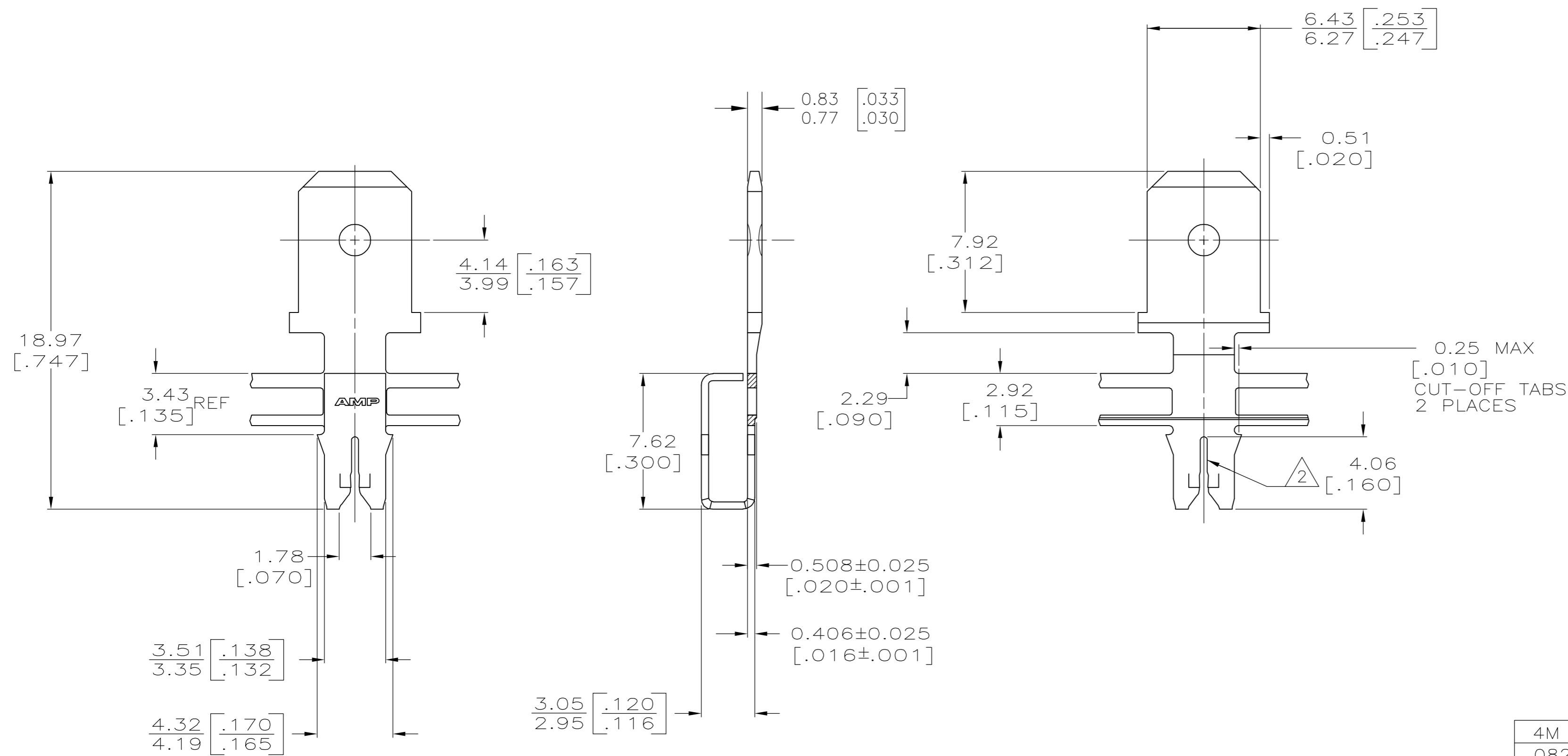


THIS DRAWING IS UNPUBLISHED. RELEASED FOR PUBLICATION
 © COPYRIGHT BY TYCO ELECTRONICS CORPORATION. ALL RIGHTS RESERVED.

LOC	DIST	REVISIONS			
P	LTR	DESCRIPTION	DATE	DWN	APVD
AF	50				
		N	REVISED PER ECR-06-010412	03NOV06	HMR KR



- 1 CONTINUOUS STRIP ON REELS WITH TERMINALS LOCATED ON 8.38 [.330] CENTERS.
- 2 SLOTTED TERMINAL A SINGLE MAGNET WIRE, COPPER RANGE IS 0.64-0.81mm [#22-#20] AWG.
- 3 AFTER INSERTION INTO PLASTIC HOLDER TAB PORTION MUST BE BENT OVER 45° TO 90° OR POTTED-IN TO PREVENT PULL-OUT WHEN MATING RECEPTACLE IS DISCONNECTED.



MATERIAL	PART NO
4M HARD PRE-MILLED BRASS	62653-3
082 HARD PRE-MILLED BRASS	62653-2
4M HARD PRE-MILLED BRASS	62653-1

THIS DRAWING IS A CONTROLLED DOCUMENT.		DWN	MICHAEL S. FEHER	1/3/92	Tyco Electronics Corporation Harrisburg, PA 17105-3608				
DIMENSIONS: INCHES		CHK	PHILLIP FORTNEY	1/6/92					
TOLERANCES UNLESS OTHERWISE SPECIFIED:		APVD	NELSON E. NEFF	1/6/92					
0 PLC ± - 1 PLC ± - 2 PLC ± 0.25 [.010] 3 PLC ± - 4 PLC ± - ANGLES ± - FINISH 0.002037 [.000080]		PRODUCT SPEC 108-2012 APPLICATION SPEC 114-2046 WEIGHT - CUSTOMER DRAWING		NAME TAB, 6.35 [.250] FASTON™ MAG-MATE™					
MATERIAL SEE TABLE		SIZE	A2	CAGE CODE	00779	DRAWING NO	C=62653	RESTRICTED TO	-
		SCALE	5:1	SHEET	1 of 1	REV	N		