



Chipsmall Limited consists of a professional team with an average of over 10 year of expertise in the distribution of electronic components. Based in Hongkong, we have already established firm and mutual-benefit business relationships with customers from,Europe,America and south Asia,supplying obsolete and hard-to-find components to meet their specific needs.

With the principle of “Quality Parts,Customers Priority,Honest Operation,and Considerate Service”,our business mainly focus on the distribution of electronic components. Line cards we deal with include Microchip,ALPS,ROHM,Xilinx,Pulse,ON,Everlight and Freescale. Main products comprise IC,Modules,Potentiometer,IC Socket,Relay,Connector.Our parts cover such applications as commercial,industrial, and automotives areas.

We are looking forward to setting up business relationship with you and hope to provide you with the best service and solution. Let us make a better world for our industry!



## Contact us

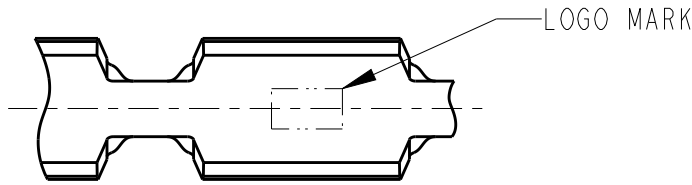
Tel: +86-755-8981 8866 Fax: +86-755-8427 6832

Email & Skype: info@chipsmall.com Web: www.chipsmall.com

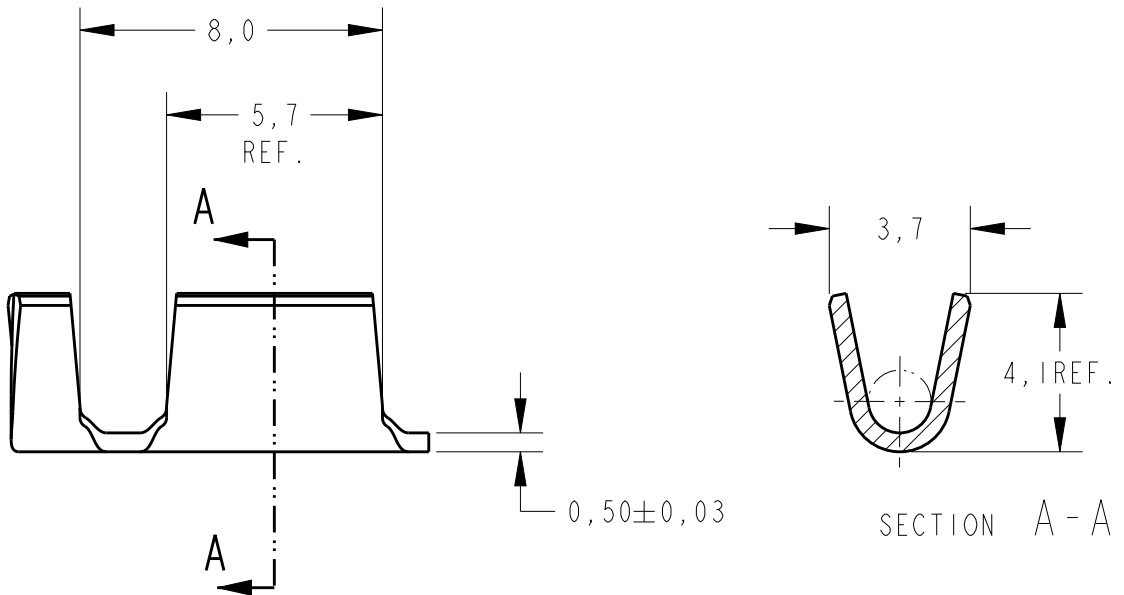
Address: A1208, Overseas Decoration Building, #122 Zhenhua RD., Futian, Shenzhen, China



REVISIONS					
P	LTR	DESCRIPTION	DATE	DWN	APVD
	B2	REDRAWN AND REV. ECO15-011920	15OCT2015	HC	WLS
	B3	REVISED BY ECO 16-003728	11MAR2016	HC	WLS



-OBSOLETE PARTS:  
OBSOLETE CIS STREAMLINING  
PER D.RENAUD/D.SINISI



OBSOLETE	TIN PLATED	STEEL	626584-5
OBSOLETE	NICKEL PLATED	STEEL	626584-4
OBSOLETE		STEEL	626584-3
OBSOLETE	TIN PLATED	BRASS	626584-2
		BRASS	626584-1
	FINISH	MATERIAL	PART NUMBER

WIRE RANGE:  
1500/5000 CMA

20  
RELEASED FOR PUBLICATION

ALL RIGHTS RESERVED.

BY -

© COPYRIGHT 20

THIS DRAWING IS UNPUBLISHED.

DIMENSIONS: mm	DWN H.C.CANTERI 25MAY2015	MATERIAL -	FINISH -
TOLERANCES UNLESS OTHERWISE SPECIFIED:	CHK W.L.STEFANI		
0 PLC ±-	APVD -		
1 PLC ±0,3	PRODUCT SPEC -	NAME SPLICE	
2 PLC ±0,3	APPLICATION SPEC -	SIZE A4	CAGE CODE -
3 PLC ±-		DRAWING NO C=626584	RESTRICTED TO -
4 PLC ±-			
ANGLES ±1°	WEIGHT -		
	CUSTOMER DRAWING	SCALE 5/1	SHEET 1 OF 1
			REV B3