



Chipsmall Limited consists of a professional team with an average of over 10 year of expertise in the distribution of electronic components. Based in Hongkong, we have already established firm and mutual-benefit business relationships with customers from,Europe,America and south Asia,supplying obsolete and hard-to-find components to meet their specific needs.

With the principle of “Quality Parts,Customers Priority,Honest Operation,and Considerate Service”,our business mainly focus on the distribution of electronic components. Line cards we deal with include Microchip,ALPS,ROHM,Xilinx,Pulse,ON,Everlight and Freescale. Main products comprise IC,Modules,Potentiometer,IC Socket,Relay,Connector.Our parts cover such applications as commercial,industrial, and automotives areas.

We are looking forward to setting up business relationship with you and hope to provide you with the best service and solution. Let us make a better world for our industry!



Contact us

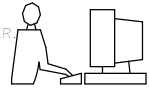
Tel: +86-755-8981 8866 Fax: +86-755-8427 6832

Email & Skype: info@chipsmall.com Web: www.chipsmall.com

Address: A1208, Overseas Decoration Building, #122 Zhenhua RD., Futian, Shenzhen, China

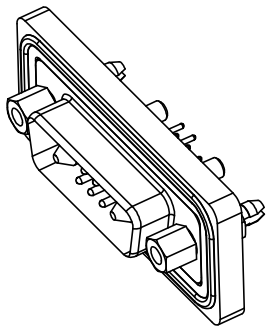
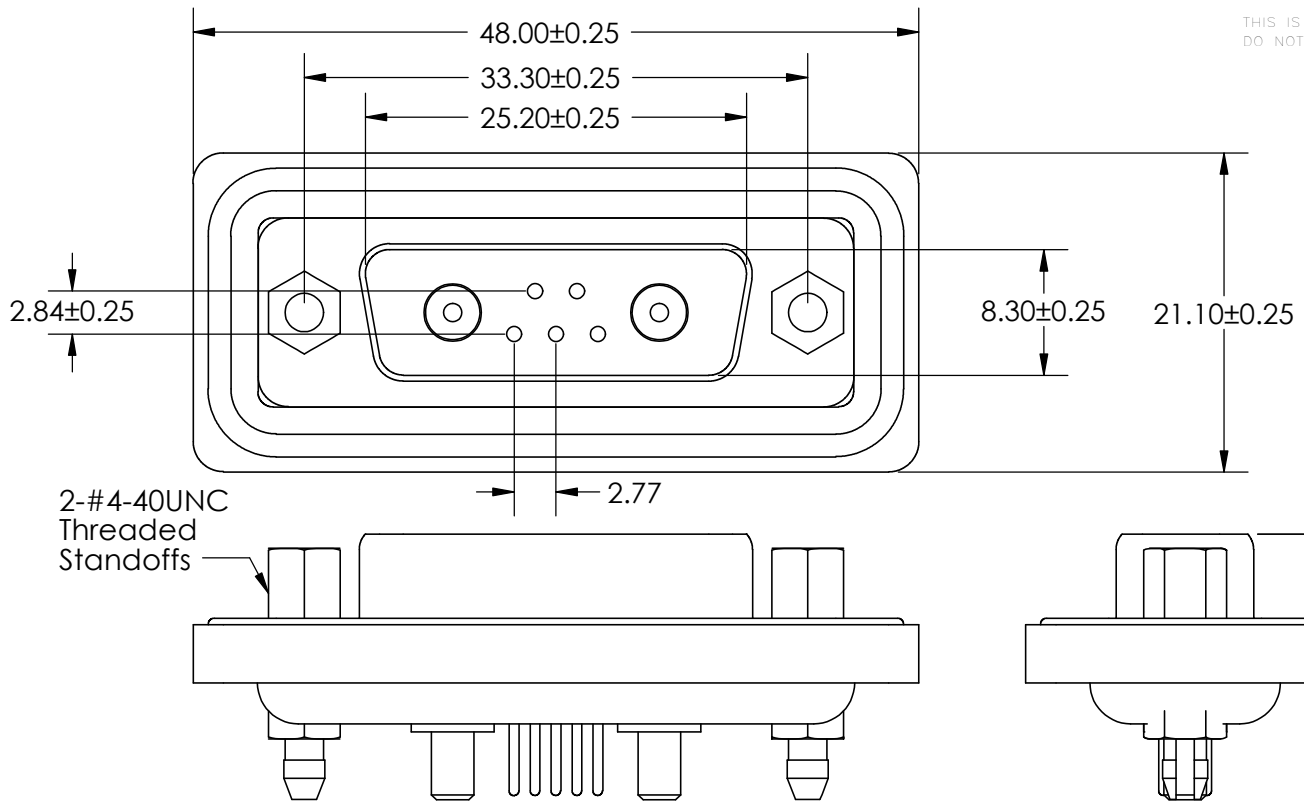


THIS IS A C.A.D. GENERATED DRAWING
DO NOT MAKE MANUAL REVISIONS TO MASTER



ISSUE NUMBER

ORIGINAL



2-#4-40UNC
Threaded
Standoffs

6.00 9.85

Materials and Finish

- Insulator: PBT with Glass Fiber, UL94V-0, Black
- Shell: Steel, Nickel Plated
- Contact: Copper Alloy, with 2-Gold Flash Plating over Nickel
- Watertight Frame: PBT with Glass Fiber, UL94V-0, Black
- O-Ring: Silicone
- Epoxy Sealant: Epoxy
- DEGREE OF PROTECTION: IP67 AS PER IEC60529

Mounting Option

3- RIVETED #4-40 UNC BOARDLOCKS

Contact Information

20- PC TAIL



THIS SERIES FULLY CONFORMS TO THE EUROPEAN UNION DIRECTIVES 2002/95/EC AND 2002/96/EC FOR RoHS COMPLIANCY.

Electrical Characteristics

- Current Rating: Signal Contact: 5.0 A
High Power Contact: 10.0 A - 14.0 A
- Dielectric Withstanding Voltage: 1000 V / 1 Min
- Insulation Resistance: 5000 Megohm Min.
- Signal Contact Resistance: 10 Milliohms Max.
- High Power Contact Resistance: 1.0 Milliohms
- Working Temperature: -55C to +105C

Power Combo Waterproof D-Sub Connector PLUG PART NUMBER: 627-W7W-220-013		ACAD REFERENCE NO. 627-W7W Assembly	
		DRAWN: R.STA.MONICA	DATE: June.4/13
		CHECKED:	DATE:
		SCALE: NTS	SHEET 1 OF 1
		DRAWING NUMBER 627-W7W Assembly	
		ISSUE 1	

EDAC EDAC INC
TORONTO, ONTARIO
CANADA
YOUR CONNECTION TO QUALITY & SERVICE

THESE DRAWINGS AND SPECIFICATIONS ARE THE PROPERTY OF EDAC INC. AND SHALL NOT BE REPRODUCED, OR COPIED OR USED AS THE BASIS FOR THE MANUFACTURE OR SALE OF APPARATUS WITHOUT WRITTEN PERMISSION.