



Chipsmall Limited consists of a professional team with an average of over 10 year of expertise in the distribution of electronic components. Based in Hongkong, we have already established firm and mutual-benefit business relationships with customers from,Europe,America and south Asia,supplying obsolete and hard-to-find components to meet their specific needs.

With the principle of “Quality Parts,Customers Priority,Honest Operation,and Considerate Service”,our business mainly focus on the distribution of electronic components. Line cards we deal with include Microchip,ALPS,ROHM,Xilinx,Pulse,ON,Everlight and Freescale. Main products comprise IC,Modules,Potentiometer,IC Socket,Relay,Connector.Our parts cover such applications as commercial,industrial, and automotives areas.

We are looking forward to setting up business relationship with you and hope to provide you with the best service and solution. Let us make a better world for our industry!



Contact us

Tel: +86-755-8981 8866 Fax: +86-755-8427 6832

Email & Skype: info@chipsmall.com Web: www.chipsmall.com

Address: A1208, Overseas Decoration Building, #122 Zhenhua RD., Futian, Shenzhen, China



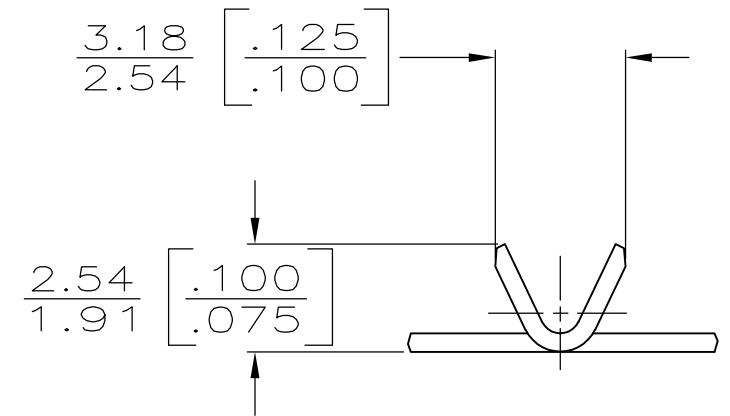
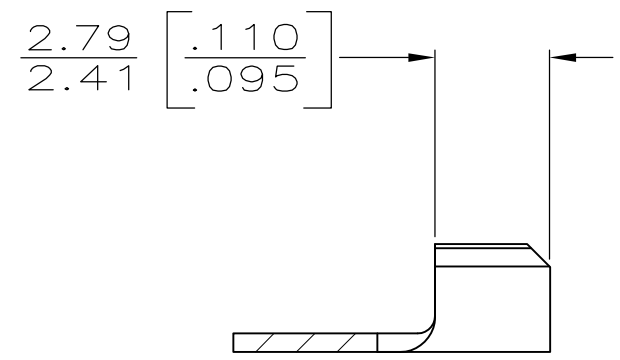
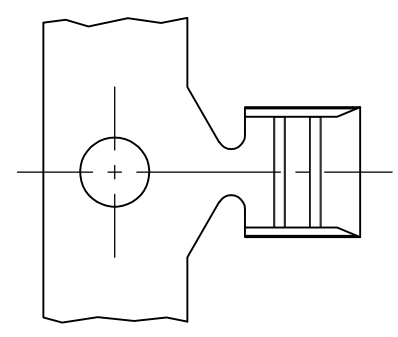
THIS DRAWING IS UNPUBLISHED. RELEASED FOR PUBLICATION
 © COPYRIGHT - By - ALL RIGHTS RESERVED.

LOC	DIST	REVISIONS			
P	LTR	DESCRIPTION	DATE	DWN	APVD
AF	50	R1	REVISED PER ECO-11-004917	11MAR11	RK HMR

- 1 PRODUCT PROVIDED IN STRIP FORM ON REELS;
BREAKS MAY BE PRESENT

- 4 WIRE SIZE IS 0.2-0.6mm sq.
[400 & 1300] CMA
CRIMP WIDTH:: 1.78 [.070] , F TYPE
CRIMP HEIGHT ±0.05 [.002] =(TOTAL CMA + 4700) / 112,100
FOR APPLICATOR INFO CALL, 1-800-722-1111
FOR PRODUCT INFO CALL: 1-800-522-6752

- 5 WIRE RANGE FOR NEW APPLICATIONS: 400-1300 CMA
(WIRE RANGE APPROVED FOR APPLICATIONS IMPLEMENTED
PRIOR TO 2005: 400-1600 CMA).



	NONE	0.41[.016] STAINLESS STEEL	62759-5
OBSOLETE	TIN	0.41[.016] STEEL	62759-4
OBSOLETE	NICKEL	0.41[.016] CRS	62759-3
	TIN	.041[.016] BRASS	62759-2
	NONE	.041[.016] BRASS	62759-1
	FINISH	MATERIAL	P/N

THIS DRAWING IS A CONTROLLED DOCUMENT.		DWN DK SCHRUM 9/14/90	TE Connectivity		
DIMENSIONS: INCHES		CHK JR RUTH 9/24/90			NAME
		APVD R WEAVILL 9/24/90			
TOLERANCES UNLESS OTHERWISE SPECIFIED:		PRODUCT SPEC	SPLICE		
0 PLC ± -		APPLICATION SPEC	RESTRICTED TO		
1 PLC ± -		114-2088	SIZE	CAGE CODE	
2 PLC ± 0.38[.015]		WEIGHT -	A3	00779	
3 PLC ± -		CUSTOMER DRAWING	DRAWING NO C-62759		
4 PLC ± -			SCALE	SHEET	
ANGLES ± -			6:1	1 OF 1	
MATERIAL SEE TABLE			REV	R1	
FINISH SEE TABLE					