



Chipsmall Limited consists of a professional team with an average of over 10 year of expertise in the distribution of electronic components. Based in Hongkong, we have already established firm and mutual-benefit business relationships with customers from,Europe,America and south Asia,supplying obsolete and hard-to-find components to meet their specific needs.

With the principle of “Quality Parts,Customers Priority,Honest Operation,and Considerate Service”,our business mainly focus on the distribution of electronic components. Line cards we deal with include Microchip,ALPS,ROHM,Xilinx,Pulse,ON,Everlight and Freescale. Main products comprise IC,Modules,Potentiometer,IC Socket,Relay,Connector.Our parts cover such applications as commercial,industrial, and automotives areas.

We are looking forward to setting up business relationship with you and hope to provide you with the best service and solution. Let us make a better world for our industry!



Contact us

Tel: +86-755-8981 8866 Fax: +86-755-8427 6832

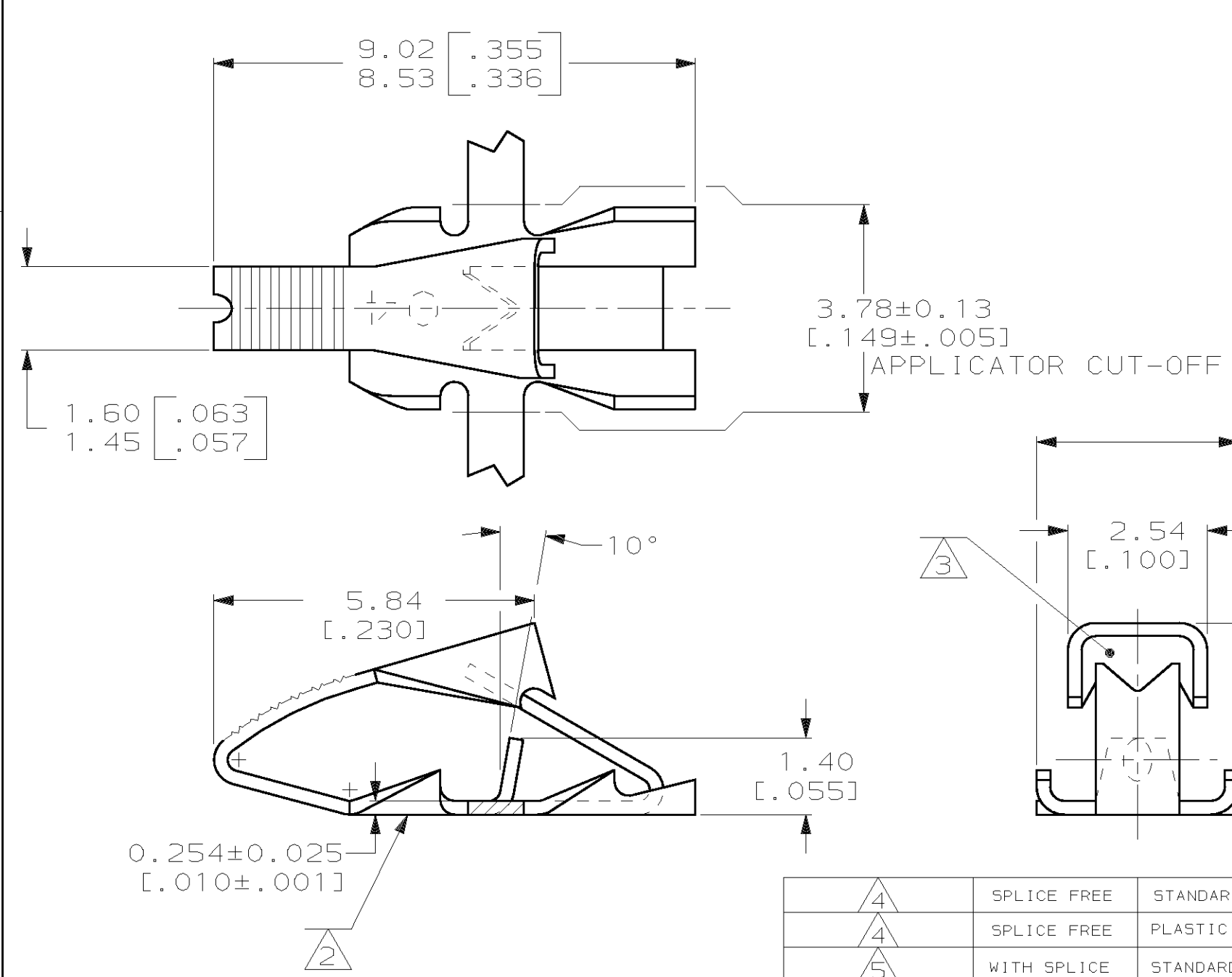
Email & Skype: info@chipsmall.com Web: www.chipsmall.com

Address: A1208, Overseas Decoration Building, #122 Zhenhua RD., Futian, Shenzhen, China

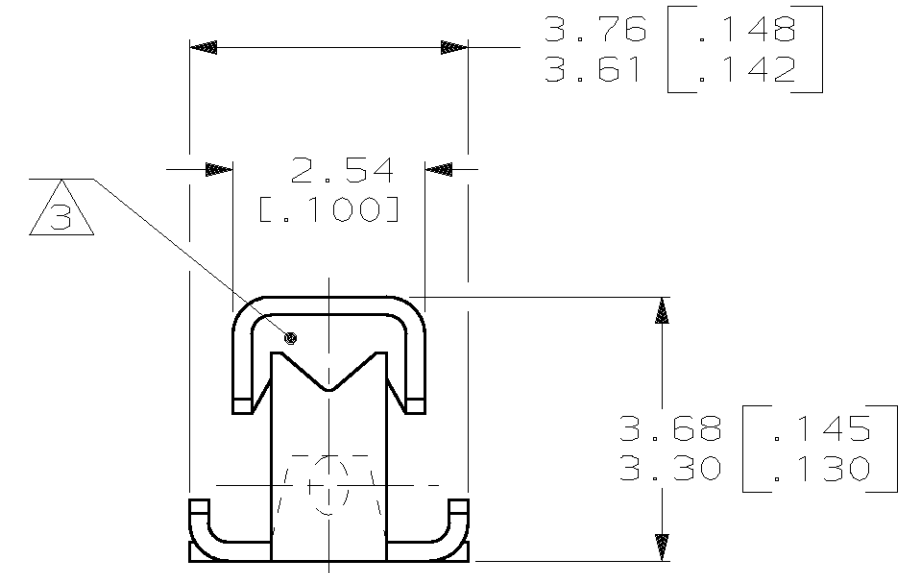


THIS DRAWING IS UNPUBLISHED. RELEASED FOR PUBLICATION, 19 .
 © COPYRIGHT 19 BY AMP INCORPORATED. ALL INTERNATIONAL RIGHTS RESERVED.

LOC	DIST	P	F	REVISIONS				
				ZONE	LTR	DESCRIPTION	DATE	APPD
AF	50				R	ADDED -3 PER OG3A-0052-99	20JUL99	JR/KR



- 1 CONTINUOUS STRIP ON REELS WITH TERMINALS LOCATED ON 6.10±0.08 [.240±.003] CENTERS.
- 2 IDENTIFICATION NUMBER (04) FOR MAGNET WIRE RANGE.
- 3 SOLID OR FUSED STRANDED LEAD WIRE 0.3-0.9mm² [#22-#18] AWG.
- 4 0.001016 [.000040] MIN TIN.
- 5 0.002032 [.000080] MIN TIN.



4	SPLICE FREE	STANDARD REELS	0.02-0.06mm [#52-#42] AWG	62781-3
4	SPLICE FREE	PLASTIC REELS	0.02-0.06mm [#52-#42] AWG	62781-2
5	WITH SPLICE	STANDARD REELS	0.02-0.06mm [#52-#42] AWG	62781-1
FINISH	SPLICE	REELING	COPPER MAGNET WIRE RANGE	PART NUMBER



DO NOT SCALE PRINT. UNLESS SPECIFIED DIMENSIONS IN mm [INCHES] TOLERANCES ON:
 2 PLC DEC ± -
 3 PLC DEC ± 0.25 [.010]
 ANGLES ± -

MATERIAL
 H02 HARD BRASS

FINISH
 SEE TABLE

DR 9/27/89
 MICHAEL S. FEHER

CHK 10/12/89
 JEFF R. RUTH

APPD 10/12/89
 NELSON E. NEFF

APPD 10/12/89
 TERRY L. SHUTTER

PRODUCT SPEC
 108-2016

APPLICATION SPEC
 114-2047

WEIGHT -

AMP AMP INCORPORATED
 Harrisburg, Pa. 17105

NAME
 TERMINAL, POKE-IN,
 MINI MAG-MATE™

SIZE B	CAGE CODE 00779	DRAWING NO 62781
SCALE 10:1	SHEET 1 OF 1	