



Chipsmall Limited consists of a professional team with an average of over 10 year of expertise in the distribution of electronic components. Based in Hongkong, we have already established firm and mutual-benefit business relationships with customers from,Europe,America and south Asia,supplying obsolete and hard-to-find components to meet their specific needs.

With the principle of “Quality Parts,Customers Priority,Honest Operation,and Considerate Service”,our business mainly focus on the distribution of electronic components. Line cards we deal with include Microchip,ALPS,ROHM,Xilinx,Pulse,ON,Everlight and Freescale. Main products comprise IC,Modules,Potentiometer,IC Socket,Relay,Connector.Our parts cover such applications as commercial,industrial, and automotives areas.

We are looking forward to setting up business relationship with you and hope to provide you with the best service and solution. Let us make a better world for our industry!



## Contact us

Tel: +86-755-8981 8866 Fax: +86-755-8427 6832

Email & Skype: info@chipsmall.com Web: www.chipsmall.com

Address: A1208, Overseas Decoration Building, #122 Zhenhua RD., Futian, Shenzhen, China

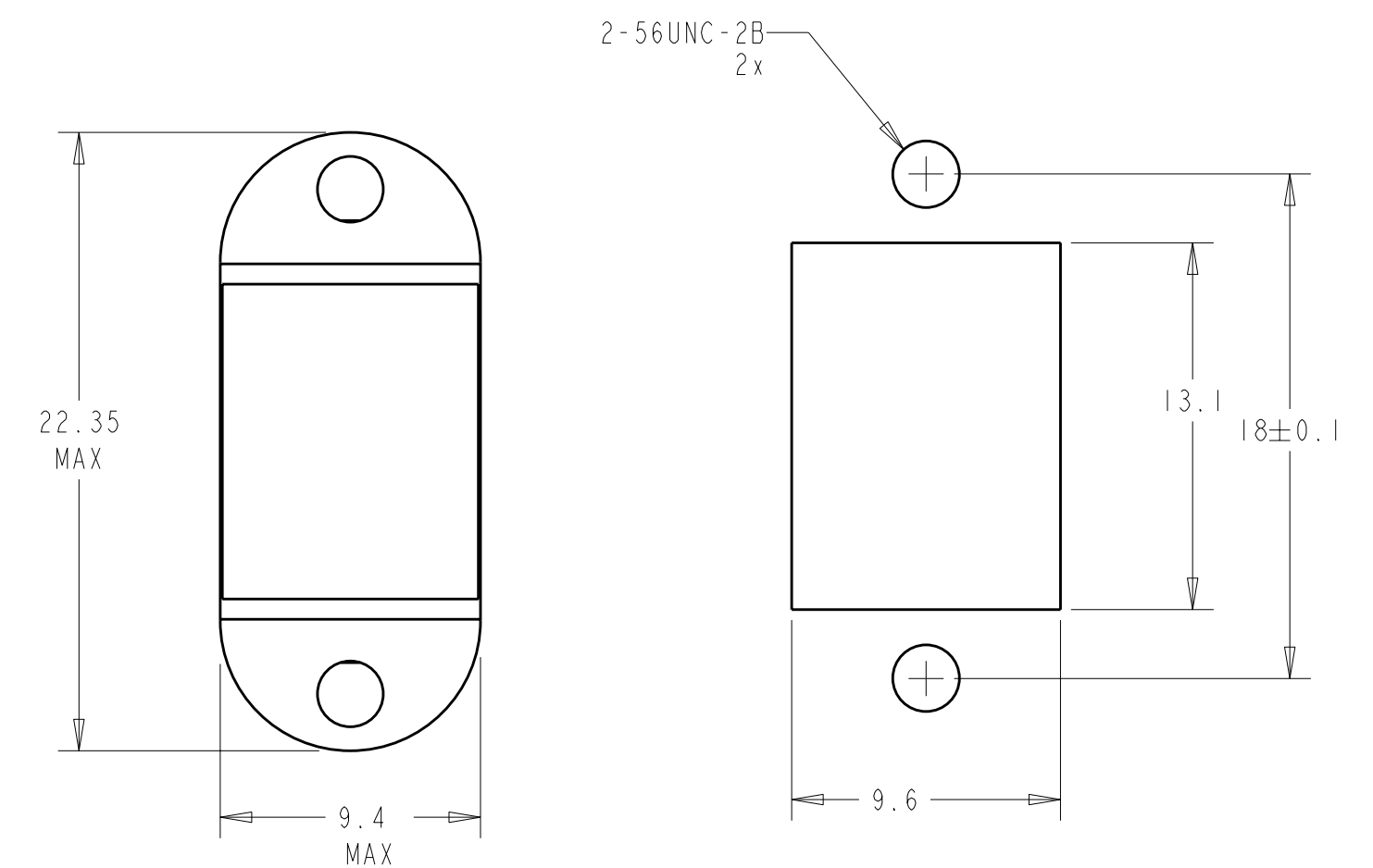
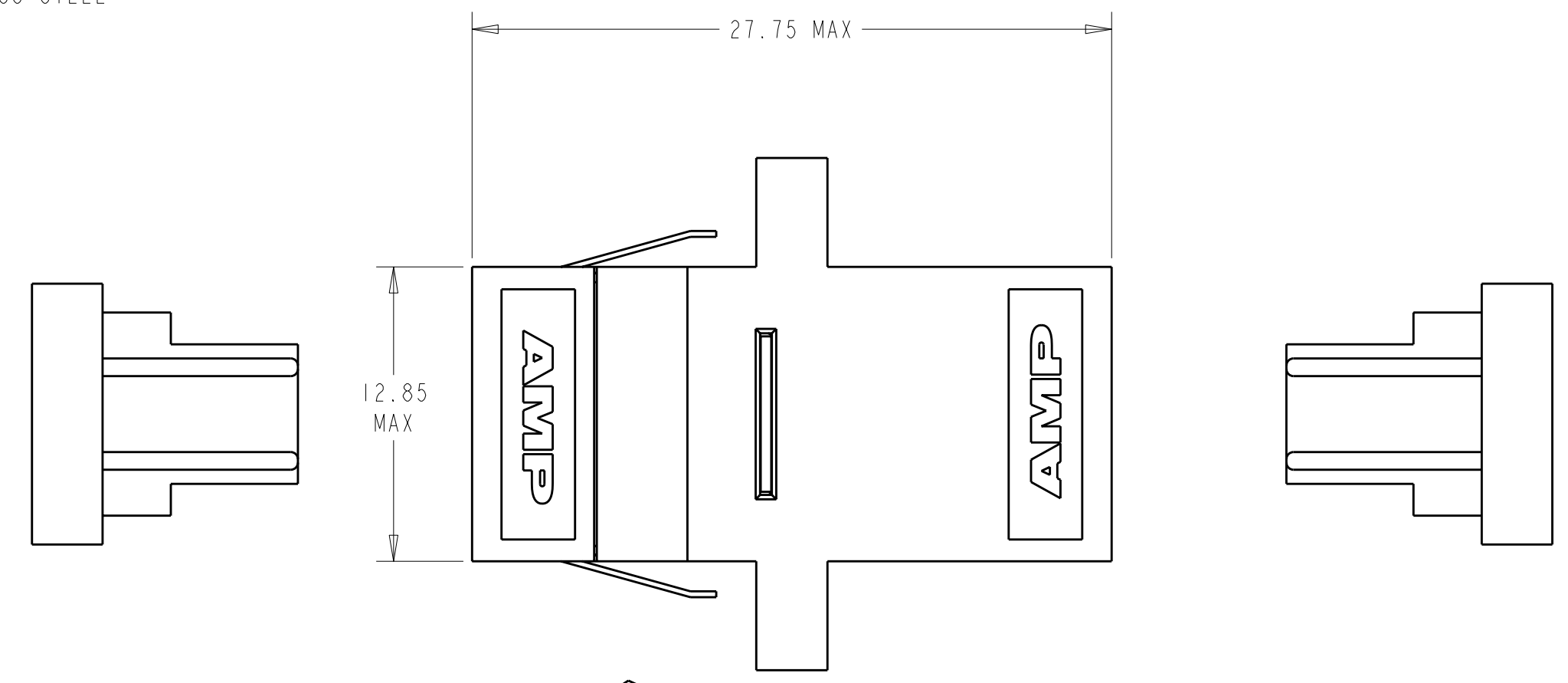


THIS DRAWING IS UNPUBLISHED. RELEASED FOR PUBLICATION  
 © COPYRIGHT 19 BY TYCO ELECTRONICS CORPORATION. ALL RIGHTS RESERVED.

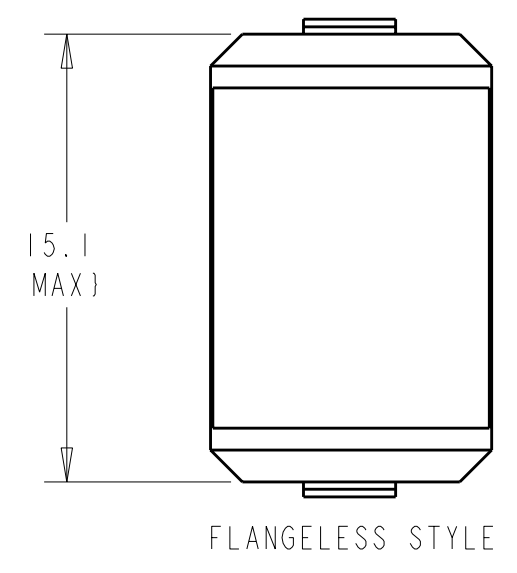
LOC	DIST	REVISIONS			
P	LTR	DESCRIPTION	DATE	DWN	APVD
CE	00	A	RELEASE TO ACTIVE	07JUN2006	BB SM

1 MATERIAL:  
 HOUSING: DIECAST ZINC, NICKEL PLATED  
 SLEEVE: SEE DASH NO'S  
 RETAINER: PEI GF30, COLOR: BLACK, UL94 V-0 RATED AT QUALIFYING THICKNESS.  
 PROTECTIVE COVER: TPE, COLOR: BLACK, UL94 V-0 RATED AT QUALIFYING THICKNESS.  
 RETENTION CLIP: STAINLESS STEEL

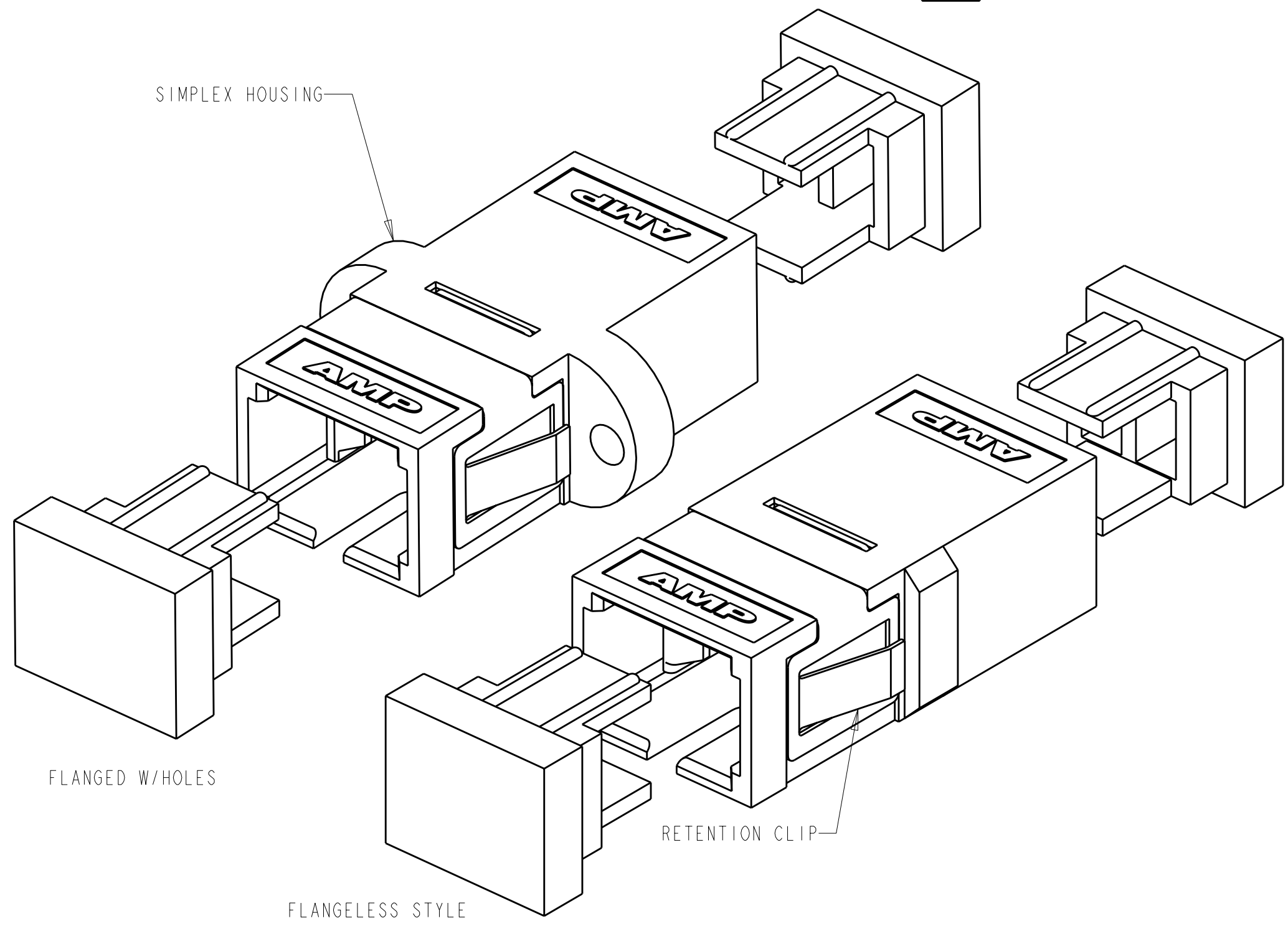
2 BULK PACKAGE.



SUGGESTED PANEL CUTOUT  
 MAX PANEL THICKNESS 1.7



FLANGELESS STYLE



2	CERAMIC	FLANGED W/HOLES, NO CLIP	1-6278348-2
2	CERAMIC	FLANGELESS, NO CLIP	1-6278348-0
2	METAL	FLANGED W/HOLES, NO CLIP	6278348-9
2	CERAMIC	FLANGELESS	6278348-8
	CERAMIC	FLANGELESS	6278348-7
2	METAL	FLANGELESS	6278348-6
	METAL	FLANGELESS	6278348-5
2	CERAMIC	FLANGED W/HOLES	6278348-4
	CERAMIC	FLANGED W/HOLES	6278348-3
2	METAL	FLANGED W/HOLES	6278348-2
	METAL	FLANGED W/HOLES	6278348-1
	ALIGNMENT SLEEVE	DESCRIPTION	PART NO

THIS DRAWING IS A CONTROLLED DOCUMENT FOR TYCO ELECTRONICS CORPORATION IT IS SUBJECT TO CHANGE AND THE CONTROLLING ENGINEERING ORGANIZATION SHOULD BE CONTACTED FOR THE LATEST REVISION.		DWN B. BRIGGS 12MAY2005 CHK S. MILLER 12MAY2005 APVD S. BUCHTER 12MAY2005	AMP Incorporated Harrisburg, PA 17105-3608
DIMENSIONS: mm		TOLERANCES UNLESS OTHERWISE SPECIFIED: 0 PLC ± 1 PLC ±0.1 2 PLC ± 3 PLC ± 4 PLC ± ANGLES ± FINISH -	NAME RECEPTACLE ASSEMBLY, AMP SC TO SC PRODUCT SPEC - APPLICATION SPEC - WEIGHT -
MATERIAL -		SIZE A2 CAGE CODE 00779 DRAWING NO C-6278348	RESTRICTED TO - SCALE 4:1 SHEET 1 OF 1 REV A
AMP 1471-9 REV 31MAR2000		CUSTOMER DRAWING	