



Chipsmall Limited consists of a professional team with an average of over 10 year of expertise in the distribution of electronic components. Based in Hongkong, we have already established firm and mutual-benefit business relationships with customers from,Europe,America and south Asia,supplying obsolete and hard-to-find components to meet their specific needs.

With the principle of “Quality Parts,Customers Priority,Honest Operation,and Considerate Service”,our business mainly focus on the distribution of electronic components. Line cards we deal with include Microchip,ALPS,ROHM,Xilinx,Pulse,ON,Everlight and Freescale. Main products comprise IC,Modules,Potentiometer,IC Socket,Relay,Connector.Our parts cover such applications as commercial,industrial, and automotives areas.

We are looking forward to setting up business relationship with you and hope to provide you with the best service and solution. Let us make a better world for our industry!



## Contact us

Tel: +86-755-8981 8866 Fax: +86-755-8427 6832

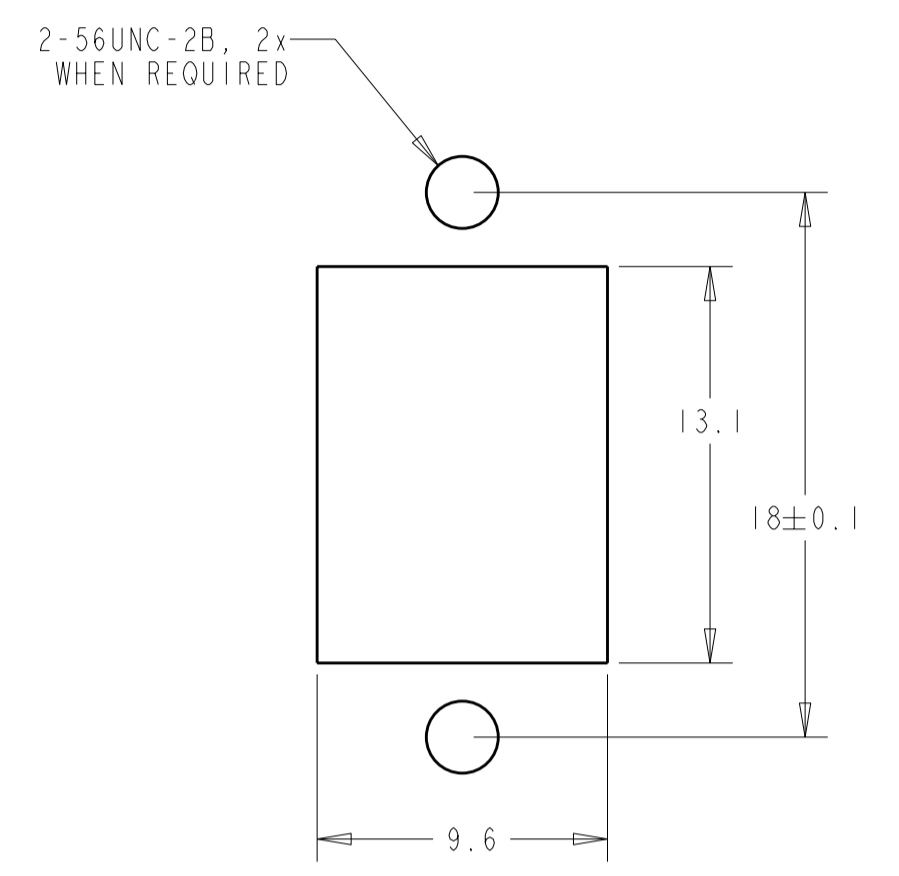
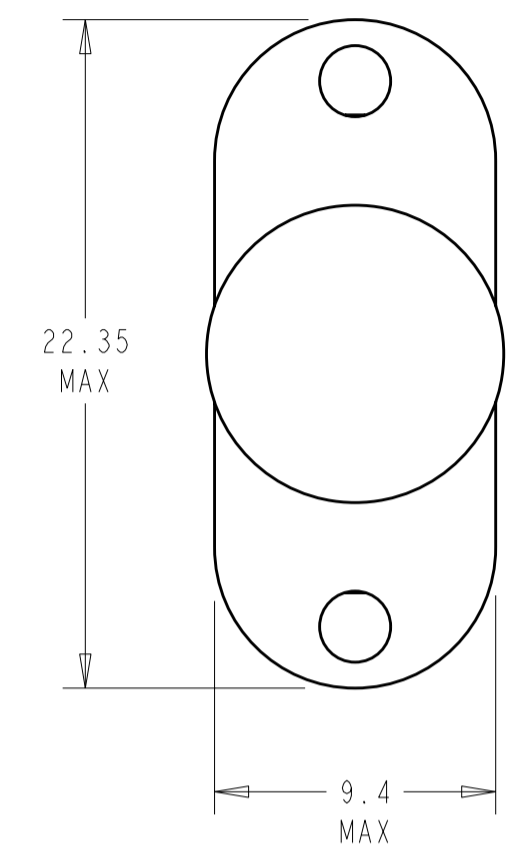
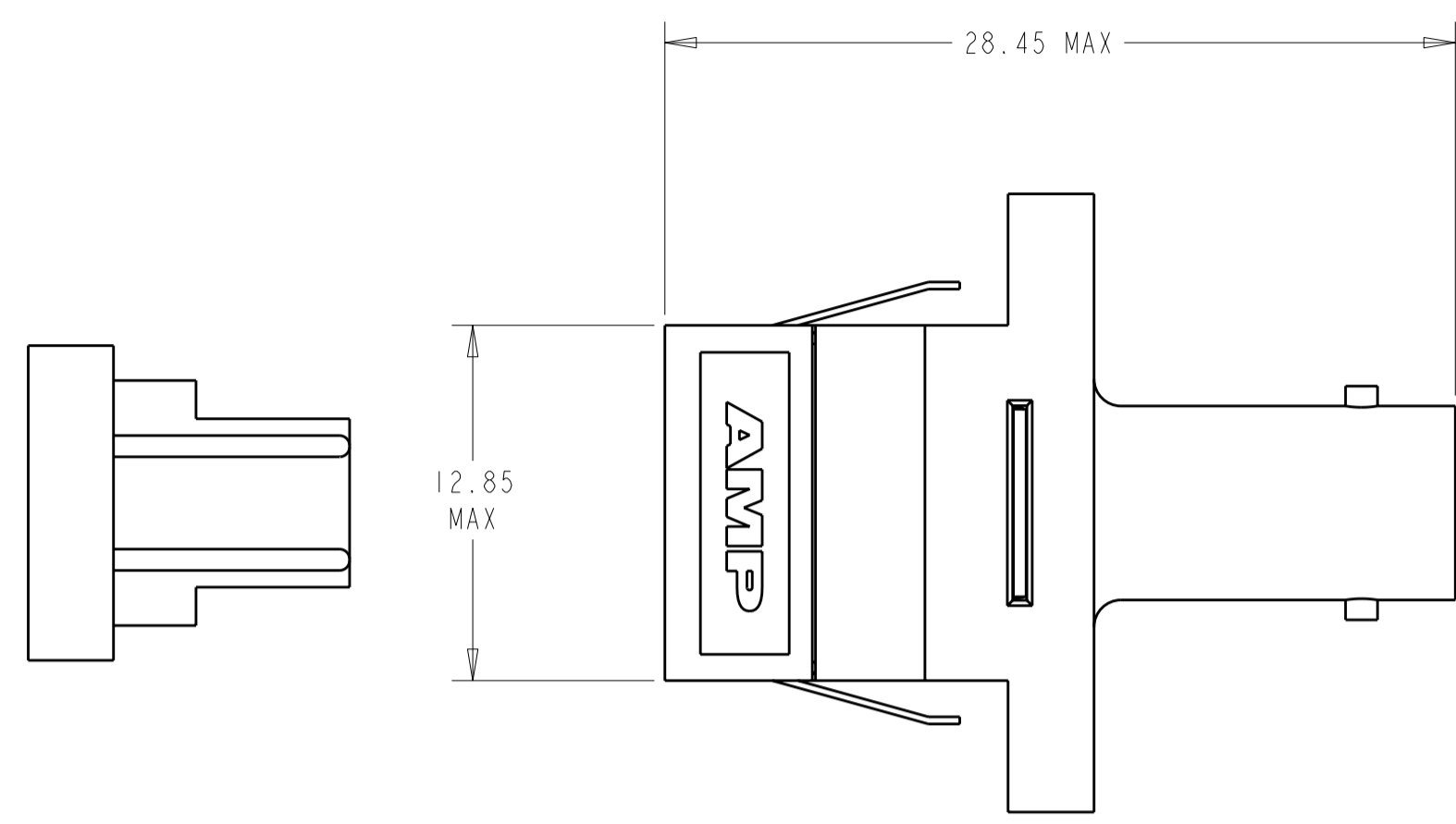
Email & Skype: info@chipsmall.com Web: www.chipsmall.com

Address: A1208, Overseas Decoration Building, #122 Zhenhua RD., Futian, Shenzhen, China

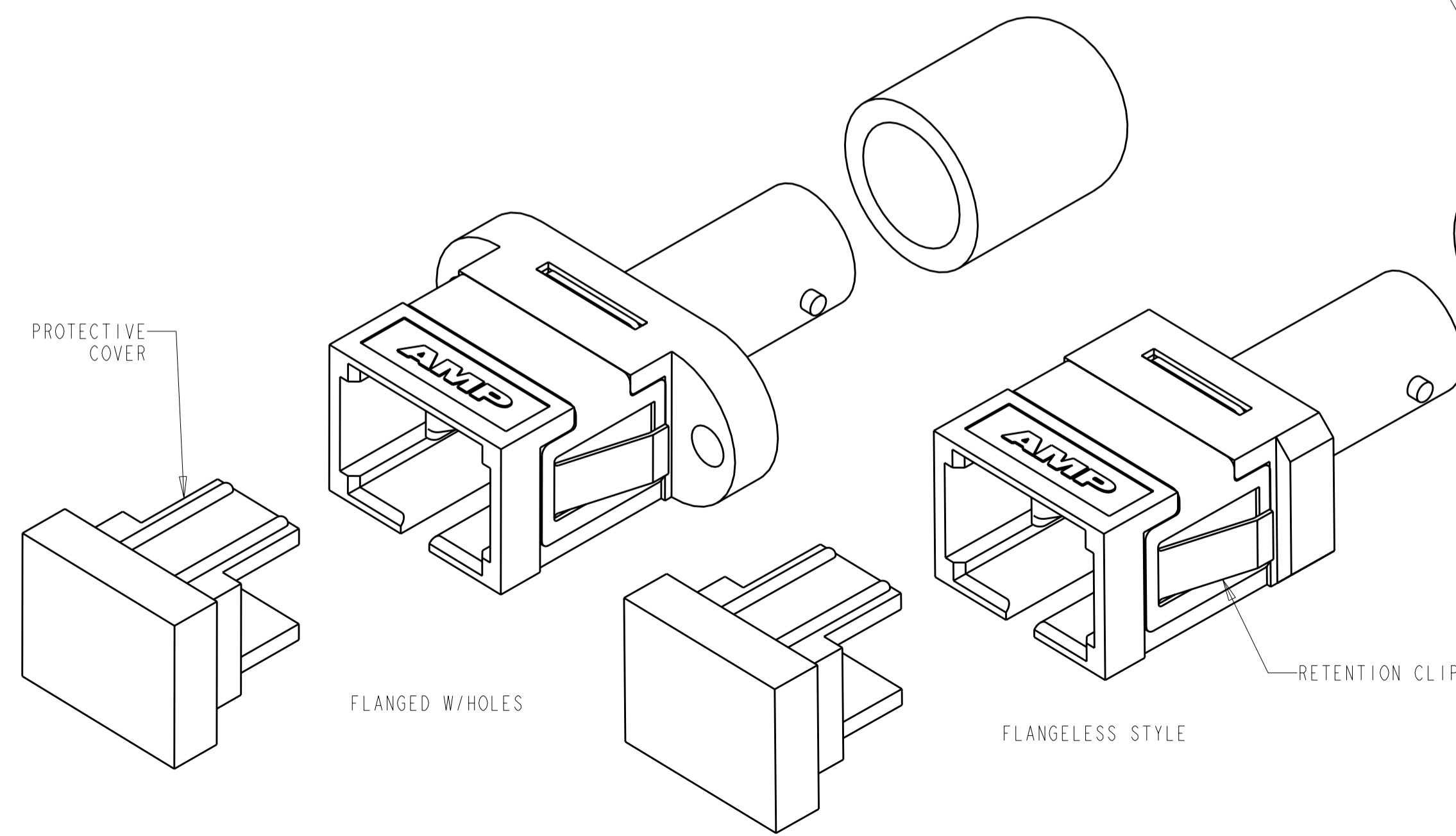
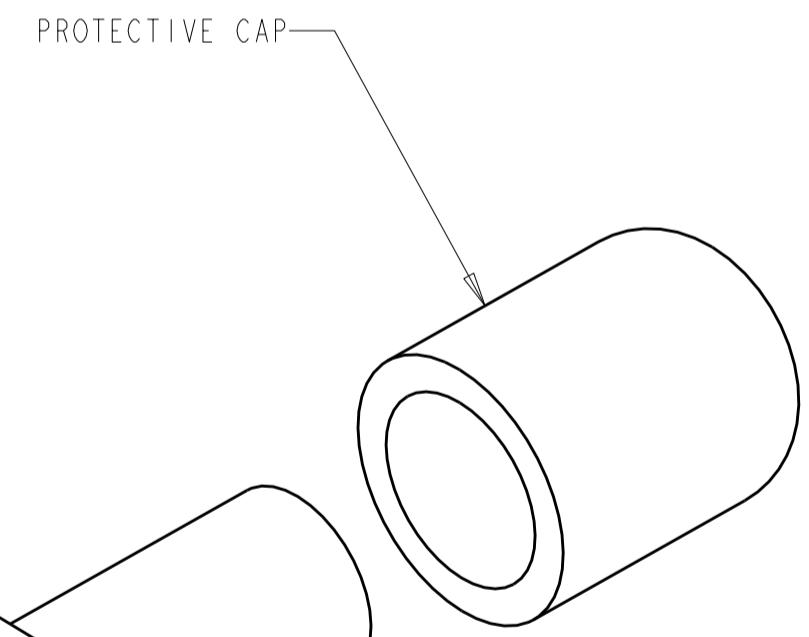


THIS DRAWING IS UNPUBLISHED. RELEASED FOR PUBLICATION  
 © COPYRIGHT 19 BY TYCO ELECTRONICS CORPORATION. ALL RIGHTS RESERVED.

LOC	DIST	REVISIONS			
P	LTR	DESCRIPTION	DATE	DWN	APVD
CE	00	A	RELEASE TO ACTIVE	07JUN2006	BB SM



- 1 MATERIAL:  
 HOUSING: DIECAST ZINC, NICKEL PLATED.  
 ALIGNMENT SLEEVE: SEE DASH NOS.  
 PROTECTIVE COVER: TPE, COLOR: BLACK.\*  
 RETENTION CLIP: STAINLESS STEEL.  
 PROTECTIVE CAP: VINYL.  
 RETAINER: PEI-GF30, COLOR: BLACK.\*  
 \*UL94 V-0 RATED AT QUALIFYING THICKNESS.
- 2 BULK PACKAGE.



2	CERAMIC	FLANGED W/HOLES, NO CLIP	1-6278350-1
2	METAL	FLANGED W/HOLES, NO CLIP	6278350-9
2	CERAMIC	FLANGELESS	6278350-8
	CERAMIC	FLANGELESS	6278350-7
	METAL	FLANGELESS	6278350-5
	CERAMIC	FLANGED W/HOLES	6278350-3
	METAL	FLANGED W/HOLES	6278350-1
	ALIGNMENT SLEEVE	DESCRIPTION	PART NO

<small>THIS DRAWING IS A CONTROLLED DOCUMENT FOR TYCO ELECTRONICS CORPORATION          IT IS SUBJECT TO CHANGE AND THE CONTROLLING ENGINEERING ORGANIZATION          SHOULD BE CONTACTED FOR THE LATEST REVISION.</small>		DWN B. BRIGGS 18MAY2005 CHK S. MILLER 18MAY2005 APVD S. BUCHTER 18MAY2005	<b>AMP</b> AMP Incorporated Harrisburg, PA 17105-3608
DIMENSIONS: mm 		TOLERANCES UNLESS OTHERWISE SPECIFIED: 0 PLC ± 1 PLC ±0.1 2 PLC ±0.05 3 PLC ± 4 PLC ± ANGLES ± FINISH -	NAME ASSEMBLY, SIMPLEX RECEPTACLE, SC/ST DIECAST HOUSING SIZE A2 CAGE CODE 00779 DRAWING NO. 6278350 RESTRICTED TO - CUSTOMER DRAWING SCALE 4:1 SHEET 1 OF 1 REV A