



Chipsmall Limited consists of a professional team with an average of over 10 year of expertise in the distribution of electronic components. Based in Hongkong, we have already established firm and mutual-benefit business relationships with customers from,Europe,America and south Asia,supplying obsolete and hard-to-find components to meet their specific needs.

With the principle of “Quality Parts,Customers Priority,Honest Operation,and Considerate Service”,our business mainly focus on the distribution of electronic components. Line cards we deal with include Microchip,ALPS,ROHM,Xilinx,Pulse,ON,Everlight and Freescale. Main products comprise IC,Modules,Potentiometer,IC Socket,Relay,Connector.Our parts cover such applications as commercial,industrial, and automotives areas.

We are looking forward to setting up business relationship with you and hope to provide you with the best service and solution. Let us make a better world for our industry!



Contact us

Tel: +86-755-8981 8866 Fax: +86-755-8427 6832

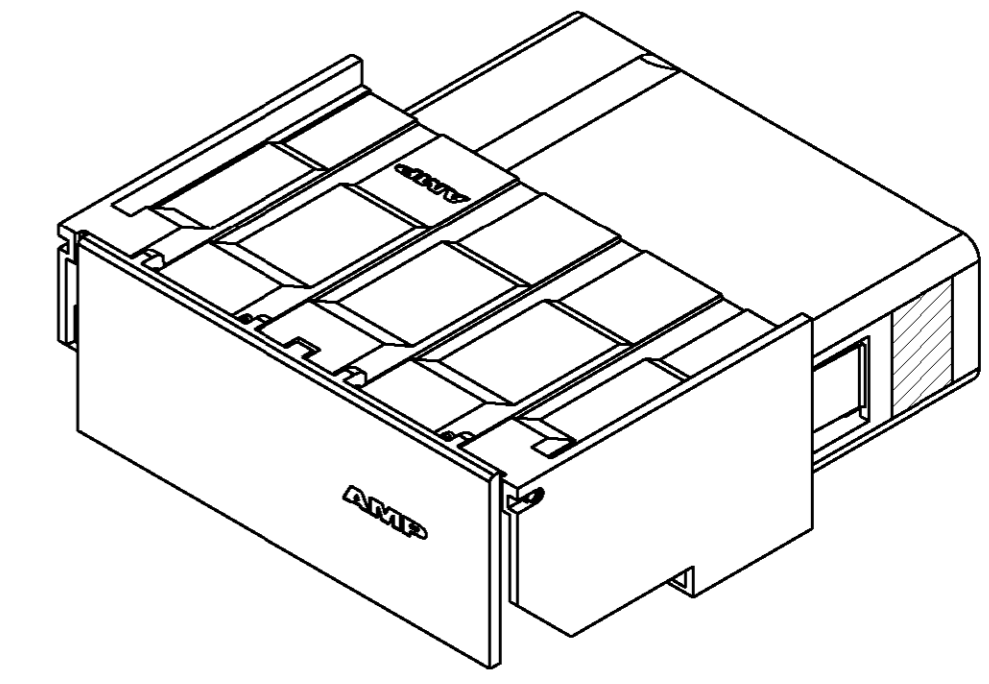
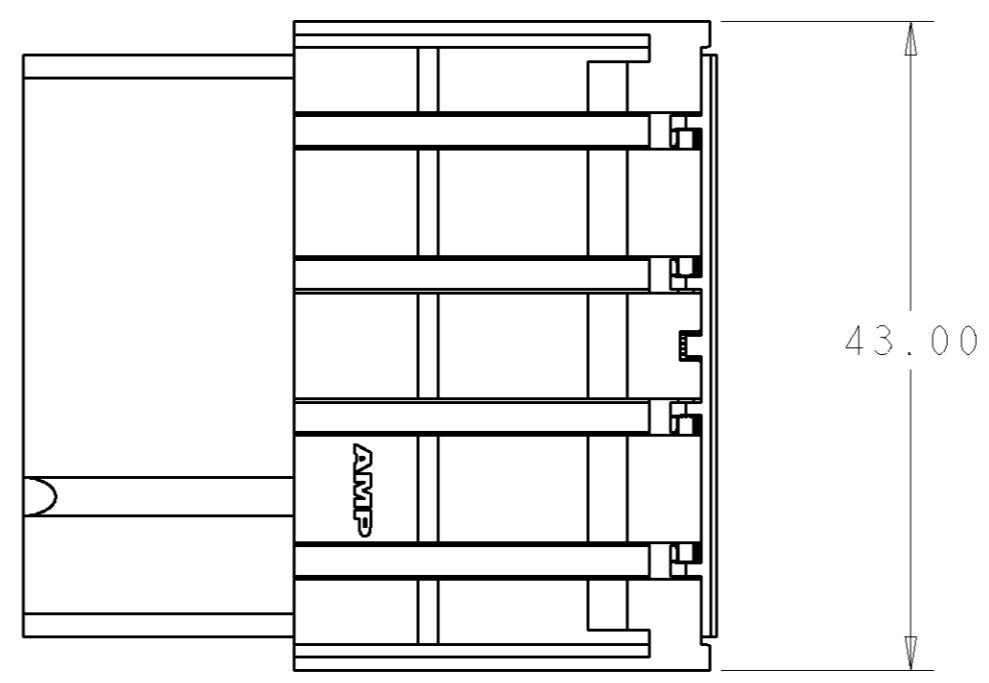
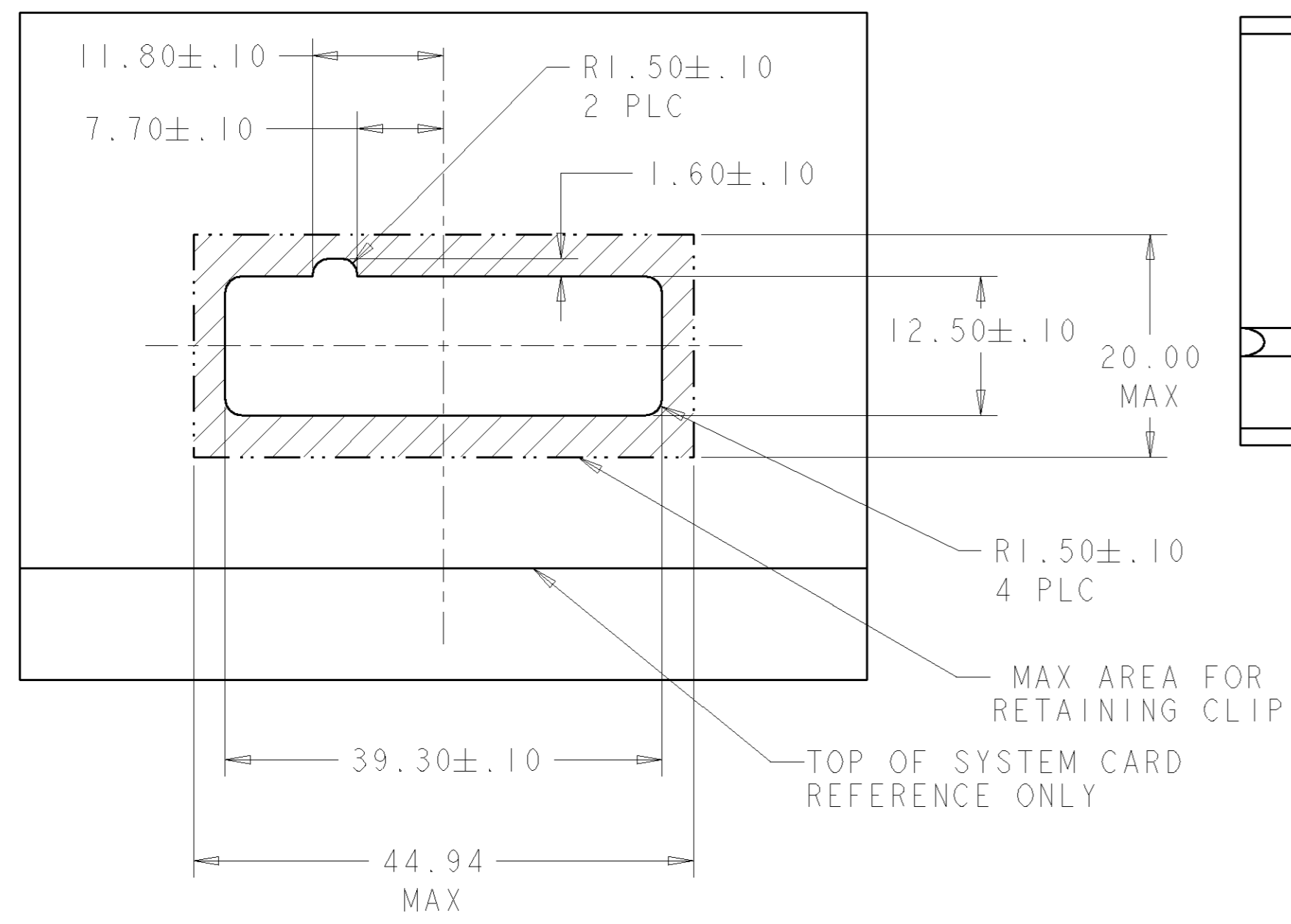
Email & Skype: info@chipsmall.com Web: www.chipsmall.com

Address: A1208, Overseas Decoration Building, #122 Zhenhua RD., Futian, Shenzhen, China



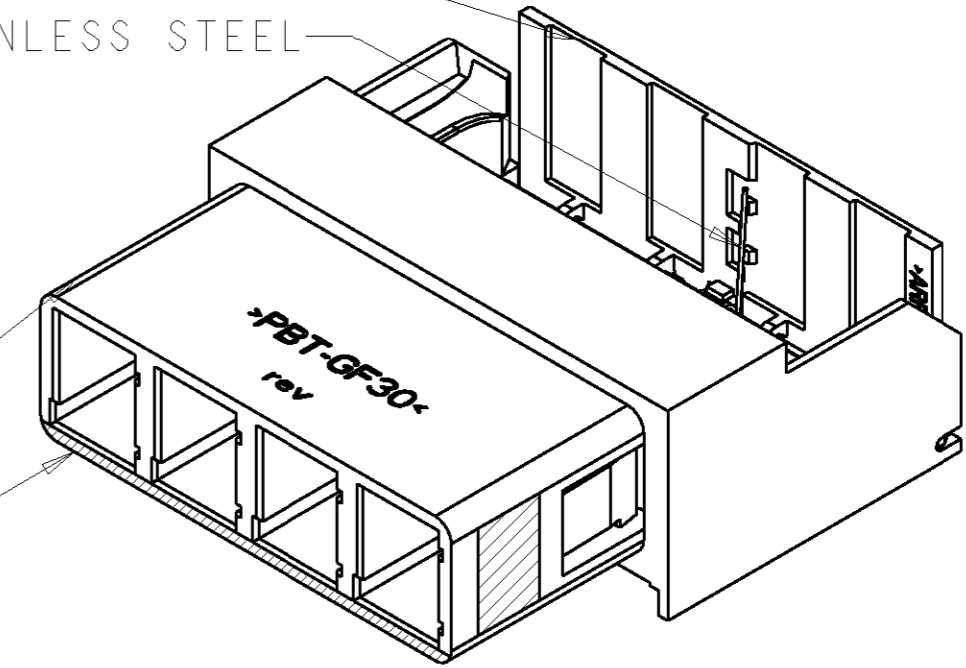
THIS DRAWING IS UNPUBLISHED. RELEASED FOR PUBLICATION
 © COPYRIGHT 20 BY TYCO ELECTRONICS CORPORATION. ALL RIGHTS RESERVED.

LOC	DIST	REVISIONS			
P	LTR	DESCRIPTION	DATE	DWN	APVD
CE	16	A	DRAWN	16JAN2006	EH AP



SCALE 2:1 PIN MATERIAL: SST

SHUTTER; MATERIAL: THERMOPLASTIC
 SHUTTER SPRING; MATERIAL: STAINLESS STEEL

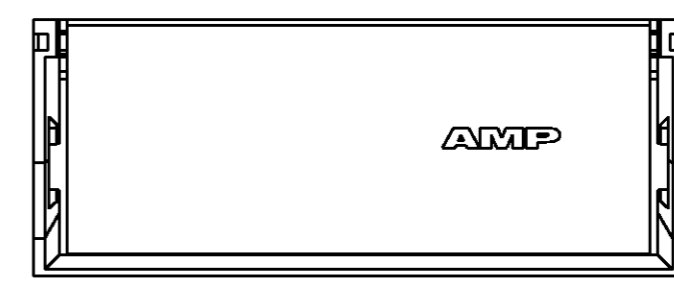
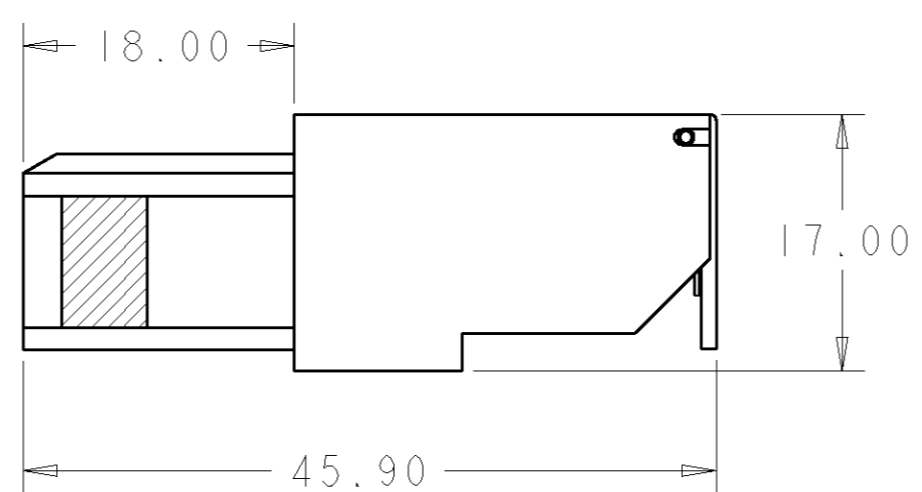
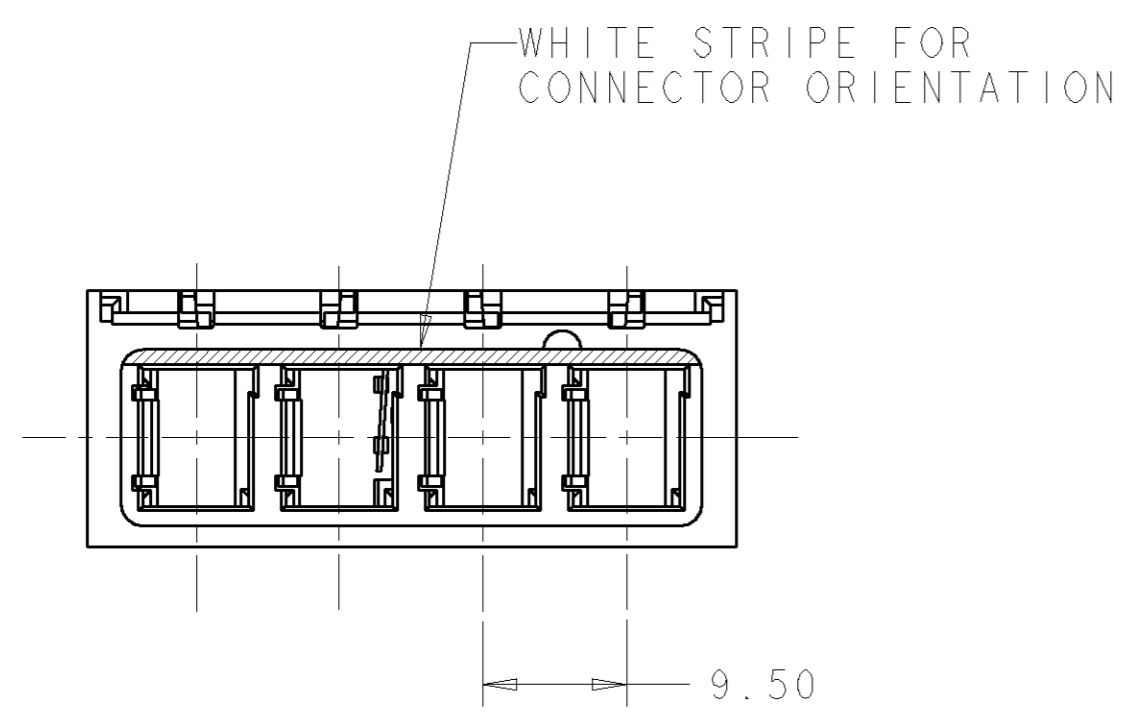


SCALE 2:1

HOUSING; MATERIAL: GLASS FILLED THERMOPLASTIC
 WHITE STRIPE FOR CONNECTOR ORIENTATION

SUGGESTED PANEL CUT-OUT
 LOOKING FROM SYSTEM CARD SIDE

HOUSING; MATERIAL: GLASS FILLED THERMOPLASTIC



NOTE:
 1. HOUSING DESIGNED TO BE INSTALLED WITH RETENTION CLIP P/N 1278530-1, USING SEATING TOOL, P/N 1278945-2 AND MOTHERBOARD SUPPORT, P/N 1278944-1. REFER TO INSTRUCTION SHEET 408-8332.

6278529-1
 PART NUMBER

THIS DRAWING IS A CONTROLLED DOCUMENT FOR TYCO ELECTRONICS CORPORATION. IT IS SUBJECT TO CHANGE AND THE CONTROLLING ENGINEERING ORGANIZATION SHOULD BE CONTACTED FOR THE LATEST REVISION.		DWN E. HALEY 16 JAN 06		AMP Incorporated Harrisburg, PA 17105-3608	
DIMENSIONS: mm		CHK A. PLOTTIS 16 JAN 06		NAME BOARD FOR QUAD LAYOUT	
TOLERANCES UNLESS OTHERWISE SPECIFIED: 0 PLC ± 1 PLC ±0.5 2 PLC ±0.13 3 PLC ±0.013 4 PLC ±0.0001 ANGLES ± FINISH		APVD A. PLOTTIS 16 JAN 06	PRODUCT SPEC -		
MATERIAL		APPLICATION SPEC -	SIZE A200779		
		WEIGHT -	DRAWING NO C-6278529		
		CUSTOMER DRAWING	RESTRICTED TO -		
		SCALE 2:1	SHEET 1 OF 1 REV A		