



Chipsmall Limited consists of a professional team with an average of over 10 year of expertise in the distribution of electronic components. Based in Hongkong, we have already established firm and mutual-benefit business relationships with customers from,Europe,America and south Asia,supplying obsolete and hard-to-find components to meet their specific needs.

With the principle of “Quality Parts,Customers Priority,Honest Operation,and Considerate Service”,our business mainly focus on the distribution of electronic components. Line cards we deal with include Microchip,ALPS,ROHM,Xilinx,Pulse,ON,Everlight and Freescale. Main products comprise IC,Modules,Potentiometer,IC Socket,Relay,Connector.Our parts cover such applications as commercial,industrial, and automotives areas.

We are looking forward to setting up business relationship with you and hope to provide you with the best service and solution. Let us make a better world for our industry!



Contact us

Tel: +86-755-8981 8866 Fax: +86-755-8427 6832

Email & Skype: info@chipsmall.com Web: www.chipsmall.com

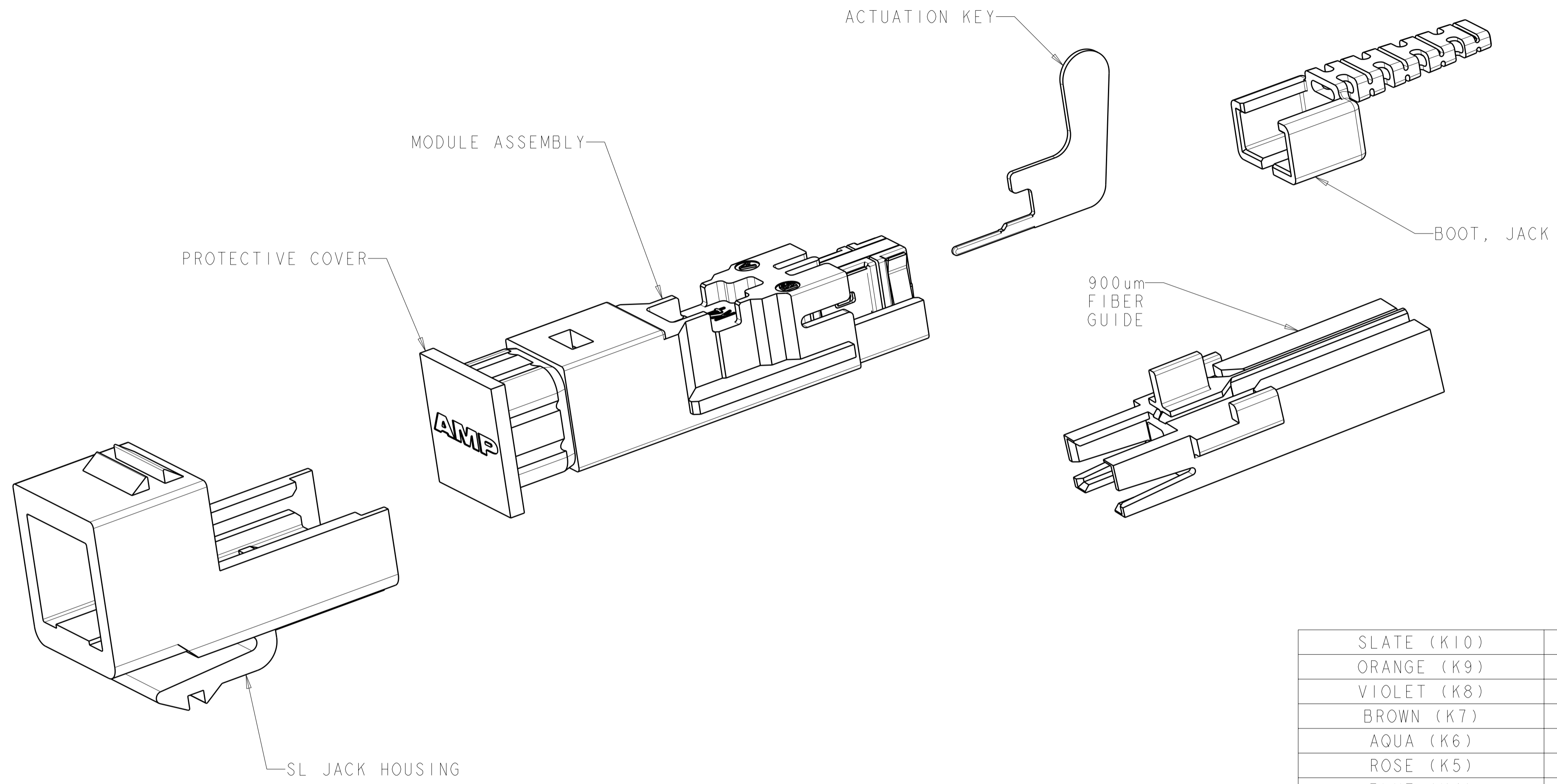
Address: A1208, Overseas Decoration Building, #122 Zhenhua RD., Futian, Shenzhen, China



THIS DRAWING IS UNPUBLISHED. RELEASED FOR PUBLICATION
 © COPYRIGHT 20 BY - ALL RIGHTS RESERVED.

LOC	DIST	REVISIONS			
P	LTR	DESCRIPTION	DATE	DWN	APVD
CE	00	AI	REVISED PER ECO-11-005027	18MAR2011	RK HMR

1. INSURE THAT THE WALL BOX IS AT LEAST 50.8mm (2.0 INCHES) DEEP, WHEN INSTALLING MT-RJ WORKSTATION JACK KIT.



SLATE (K10)	1-6278810-0
ORANGE (K9)	6278810-9
VIOLET (K8)	6278810-8
BROWN (K7)	6278810-7
AQUA (K6)	6278810-6
ROSE (K5)	6278810-5
BLUE (K4)	6278810-4
GREEN (K3)	6278810-3
YELLOW (K2)	6278810-2
RED (K1)	6278810-1
DESCRIPTION	PART NUMBER

THIS DRAWING IS A CONTROLLED DOCUMENT.		DWN B. BRIGGS 02NOV2005	TE Connectivity	
DIMENSIONS: mm		CHK D. KIRSCH 02NOV2005		
TOLERANCES UNLESS OTHERWISE SPECIFIED:		APVD S. BUCHTER 02NOV2005	NAME MT-RJ SECURE WORKSTATION JACK KIT, 62.5/125, 900um	
0 PLC ± 1 PLC ± 2 PLC ± 3 PLC ± 4 PLC ± ANGLES ± FINISH		PRODUCT SPEC -	SIZE A2	CAGE CODE 00779
MATERIAL -		APPLICATION SPEC -	DRAWING NO 6278810	RESTRICTED TO -
		WEIGHT -	SCALE 7:2	SHEET 1 OF 1
		CUSTOMER DRAWING	REV A1	