



Chipsmall Limited consists of a professional team with an average of over 10 year of expertise in the distribution of electronic components. Based in Hongkong, we have already established firm and mutual-benefit business relationships with customers from,Europe,America and south Asia,supplying obsolete and hard-to-find components to meet their specific needs.

With the principle of “Quality Parts,Customers Priority,Honest Operation,and Considerate Service”,our business mainly focus on the distribution of electronic components. Line cards we deal with include Microchip,ALPS,ROHM,Xilinx,Pulse,ON,Everlight and Freescale. Main products comprise IC,Modules,Potentiometer,IC Socket,Relay,Connector.Our parts cover such applications as commercial,industrial, and automotives areas.

We are looking forward to setting up business relationship with you and hope to provide you with the best service and solution. Let us make a better world for our industry!



Contact us

Tel: +86-755-8981 8866 Fax: +86-755-8427 6832

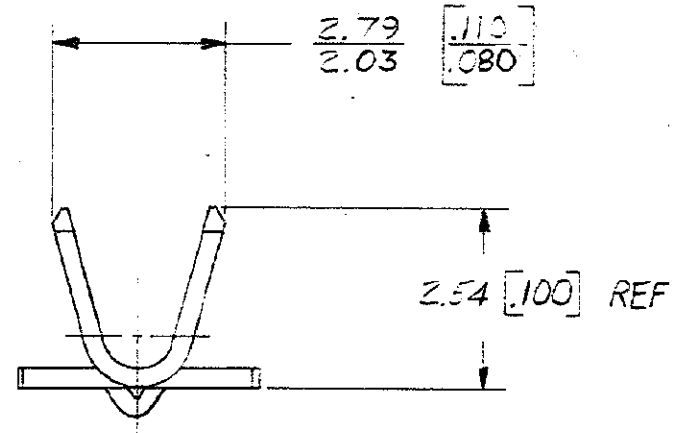
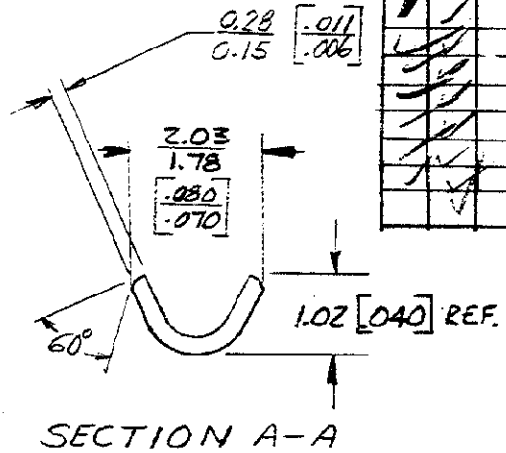
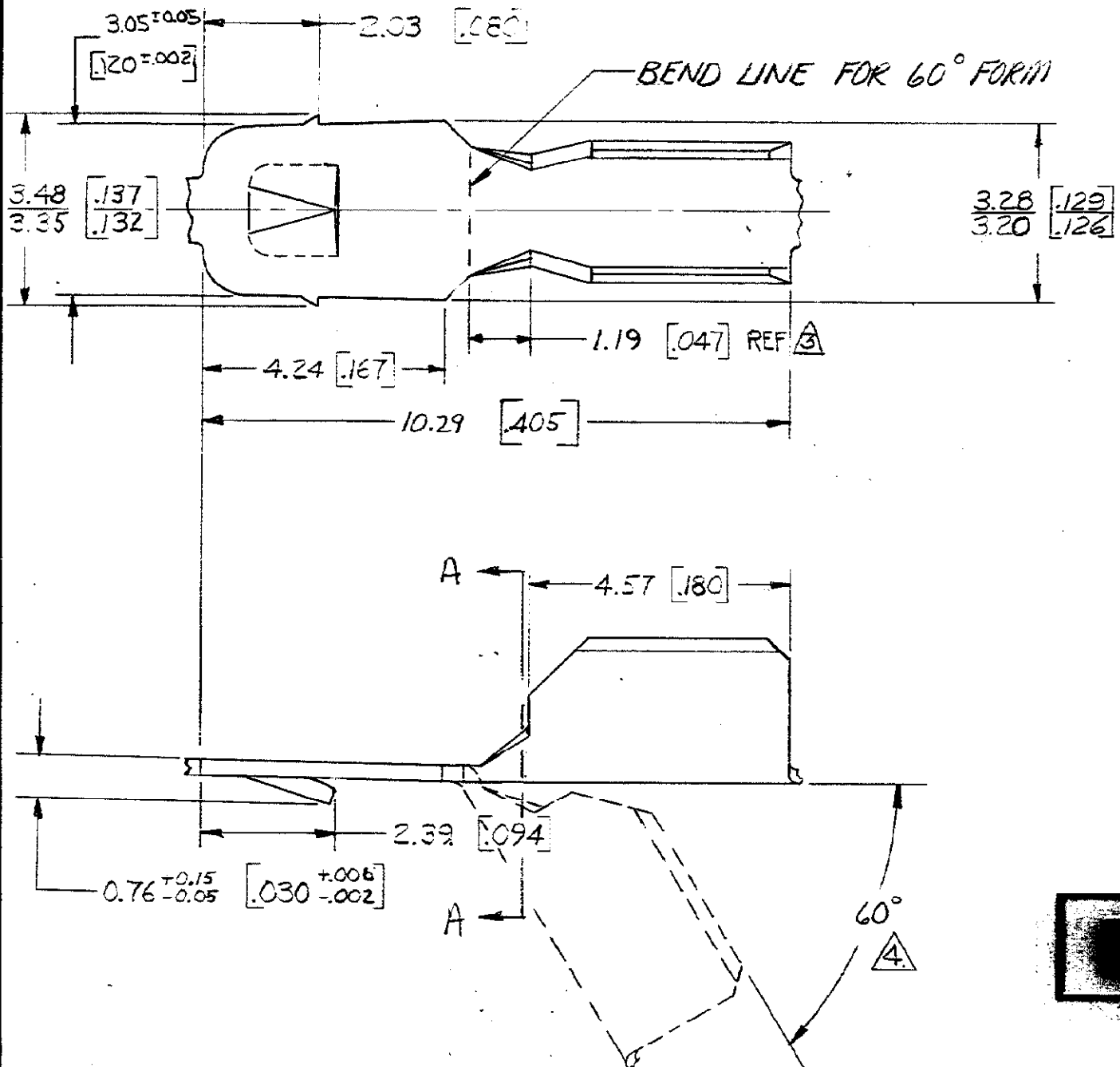
Email & Skype: info@chipsmall.com Web: www.chipsmall.com

Address: A1208, Overseas Decoration Building, #122 Zhenhua RD., Futian, Shenzhen, China



© COPYRIGHT 1978 BY AMP INCORPORATED, HARRISBURG, PA. ALL INTERNATIONAL RIGHTS RESERVED. AMP INCORPORATED PRODUCTS COVERED BY U. S. AND FOREIGN PATENTS AND/OR PATENTS PENDING.

REVOLUTIONS		DATE	APPROVED
✓	A	9-29-78	SS/BHWL
✓	B	12/20/78	SS/LTF
✓	C	1/10/79	67ENL
✓	D	2/2/79	SS/BHWL
✓	E	3/14/79	SS/BHWL
✓	F	3/26/79	SS/BHWL
✓	G	8-1-79	SS/BHWL
✓	H	5/19/80	SS/BHWL
✓	J	1-29-81	RTJ/JS
✓	K	6-5-86	MSF/64



1. CONTINUOUS STRIP ON REELS
2. DIMS IN BRACKETS ARE IN INCHES.
3. ROLLED UP TRANSITION TO HAVE OUTSIDE SWAGE.
4. MATERIAL TO BE FREE OF FRACTURE AFTER 60° FORMING BEND.
5. DIMENSIONS OF SEC A-A IN TRANSITION AREA TO BE MEASURED DIRECTLY ADJACENT TO EDGE OF WIRE BARREL.
6. FEED OVER EIGHT (8) TERMINALS SHALL BE 95.5 ±.25 [3.760 ±.010] WITH GAGE PER AMP DWG. 104356

METRIC

UNLESS OTHERWISE SPECIFIED DIMENSIONS ARE IN INCHES. MM TOLERANCES ON DECIMALS ±0.38 [015] ANGLES ±	CONTRACT NO	TIN OVER COPPER	03-09 [22-18]	62804-2
MATERIAL	DR: J Schaffhauer 8/15/78	NONE	03-09 [22-18]	62804-1
0.30 [012] BRASS	CHEK: G Yetter 8-16-78	FINISH	WIRE RANGE	PART NO
FINISH	APPD: BHWL 8-21-78	AMP INCORPORATED Harrisburg, Pa.		
	DSGN APPD: BHWL 8-22-78	NAME: BOBBIN TERMINAL		
	OTHER APPD:	SIZE	CODE IDENT NO	DRAWING NO
		B	00779	62804
		SCALE		SHEET