



Chipsmall Limited consists of a professional team with an average of over 10 year of expertise in the distribution of electronic components. Based in Hongkong, we have already established firm and mutual-benefit business relationships with customers from,Europe,America and south Asia,supplying obsolete and hard-to-find components to meet their specific needs.

With the principle of “Quality Parts,Customers Priority,Honest Operation,and Considerate Service”,our business mainly focus on the distribution of electronic components. Line cards we deal with include Microchip,ALPS,ROHM,Xilinx,Pulse,ON,Everlight and Freescale. Main products comprise IC,Modules,Potentiometer,IC Socket,Relay,Connector.Our parts cover such applications as commercial,industrial, and automotives areas.

We are looking forward to setting up business relationship with you and hope to provide you with the best service and solution. Let us make a better world for our industry!



Contact us

Tel: +86-755-8981 8866 Fax: +86-755-8427 6832

Email & Skype: info@chipsmall.com Web: www.chipsmall.com

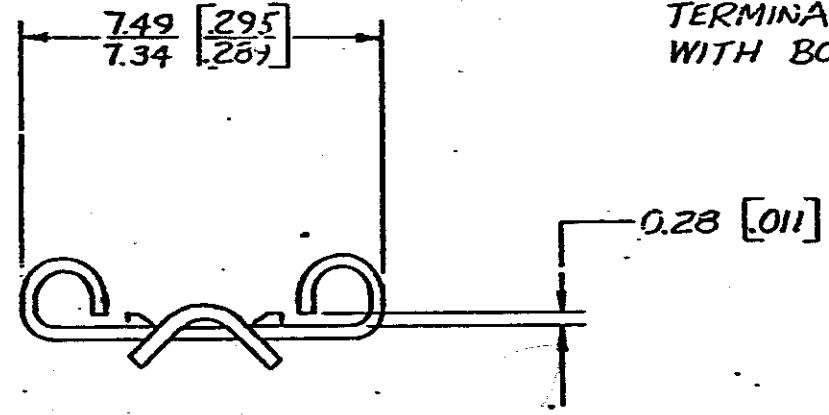
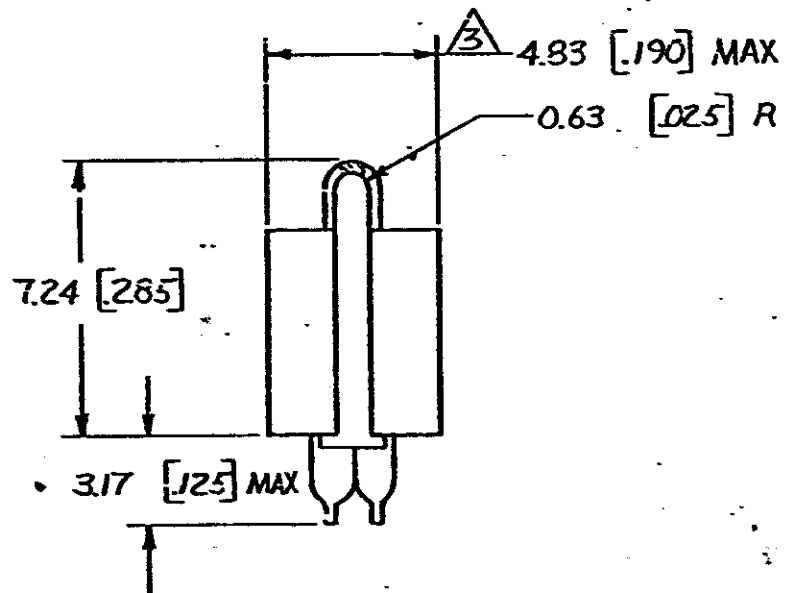
Address: A1208, Overseas Decoration Building, #122 Zhenhua RD., Futian, Shenzhen, China



© COPYRIGHT 1978 BY AMP INCORPORATED, HARRISBURG, PA.
 ALL INTERNATIONAL RIGHTS RESERVED. AMP INCORPORATED PRODUCTS
 COVERED BY U. S. AND FOREIGN PATENTS AND/OR PATENTS PENDING.

REVISIONS						
①	②	ZONE	LTR	DESCRIPTION	DATE	APPROVED
✓	✓	A		REVISED AF-1146	1/24/65	SM/64
✓	✓	B		OBS 62806-1 AF-4436	8/22/88	PMF
✓	✓	C		REV PER AF-4436	9/2/88	PMF/DJB
✓	✓	D		REACTIVATE 62806-1 AF-5992	10/2/81	PMF

1. DIMS IN BRACKETS ARE IN INCHES.
2. TO BE MOUNTED IN 2.54±0.05
 [.100±.002] DIA HOLE.
- ③ MAX DIMENSION REFERS TO THE
 TERMINAL'S COMPRESSED STATE
 WITH BOTH PADS TOUCHING.



62751-1	62806-1
STRIP NO.	PART NO LOOSE PIECE

METRIC

UNLESS OTHERWISE SPECIFIED DIMENSIONS ARE IN MM MM TOLERANCES ON: DECIMALS ±0.38 [05] ANGLES ±	CONTRACT NO		AMP INCORPORATED Harrisburg, Pa.
	DR: <i>X. Schaffhauser</i> 8/23/78	NAME	
	CHK: <i>G. Yetter</i> 8-29-78	P.C.B. RECEPTACLE (250 x .016 SPACE)	
	MATERIAL 0.25 [010] THK BRASS	APPRO: <i>D. Schwink</i> 8-29-78	APPRO: <i>G. Yetter</i> 8-29-78
FINISH TIN	DSGN APPD	OTHER APPD	SIZE B SCALE
			CJDE IDENT NO 00779 SHEET