



Chipsmall Limited consists of a professional team with an average of over 10 year of expertise in the distribution of electronic components. Based in Hongkong, we have already established firm and mutual-benefit business relationships with customers from,Europe,America and south Asia,supplying obsolete and hard-to-find components to meet their specific needs.

With the principle of “Quality Parts,Customers Priority,Honest Operation,and Considerate Service”,our business mainly focus on the distribution of electronic components. Line cards we deal with include Microchip,ALPS,ROHM,Xilinx,Pulse,ON,Everlight and Freescale. Main products comprise IC,Modules,Potentiometer,IC Socket,Relay,Connector.Our parts cover such applications as commercial,industrial, and automotives areas.

We are looking forward to setting up business relationship with you and hope to provide you with the best service and solution. Let us make a better world for our industry!



Contact us

Tel: +86-755-8981 8866 Fax: +86-755-8427 6832

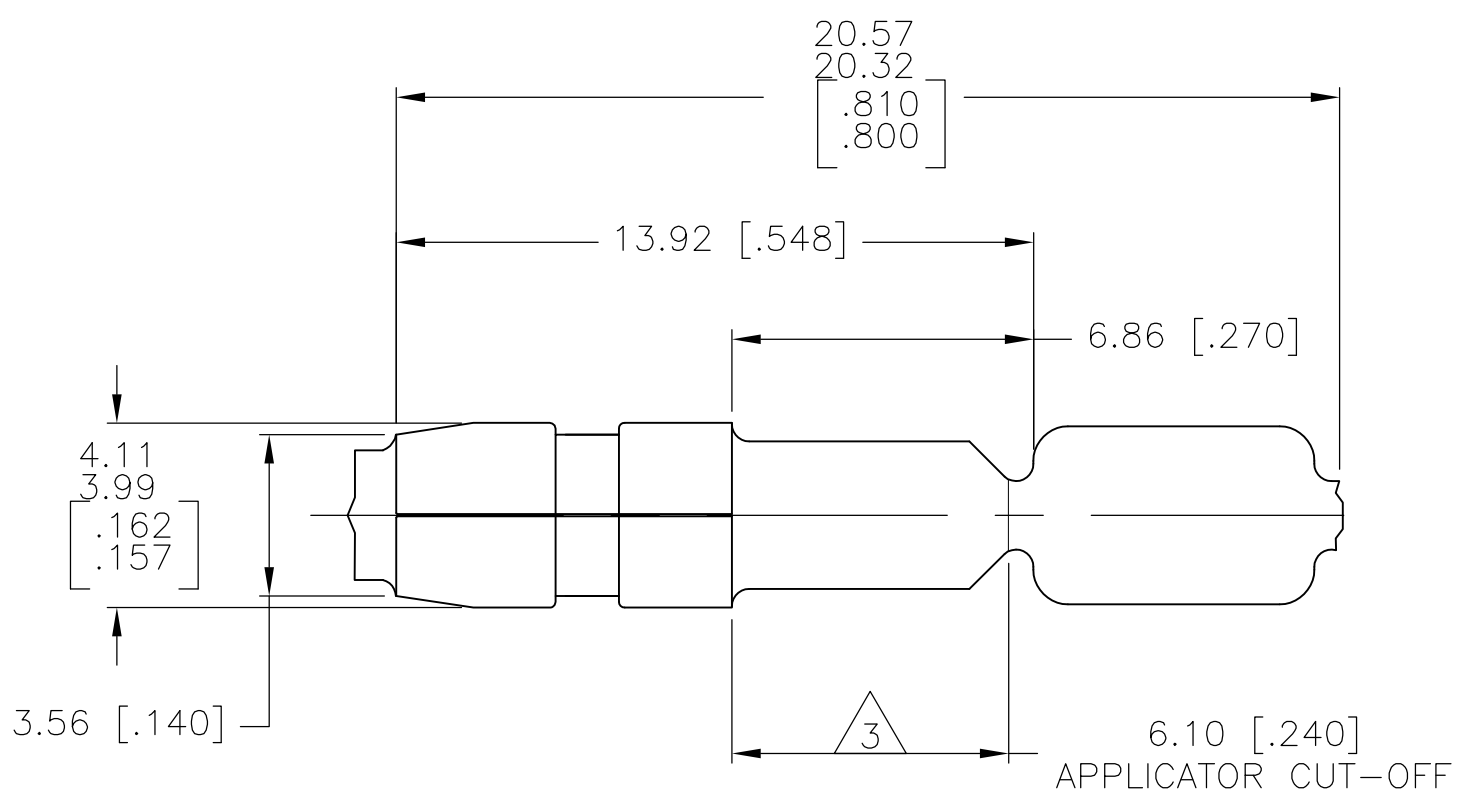
Email & Skype: info@chipsmall.com Web: www.chipsmall.com

Address: A1208, Overseas Decoration Building, #122 Zhenhua RD., Futian, Shenzhen, China

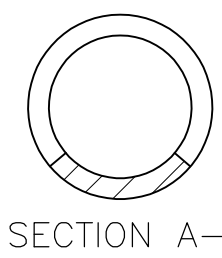
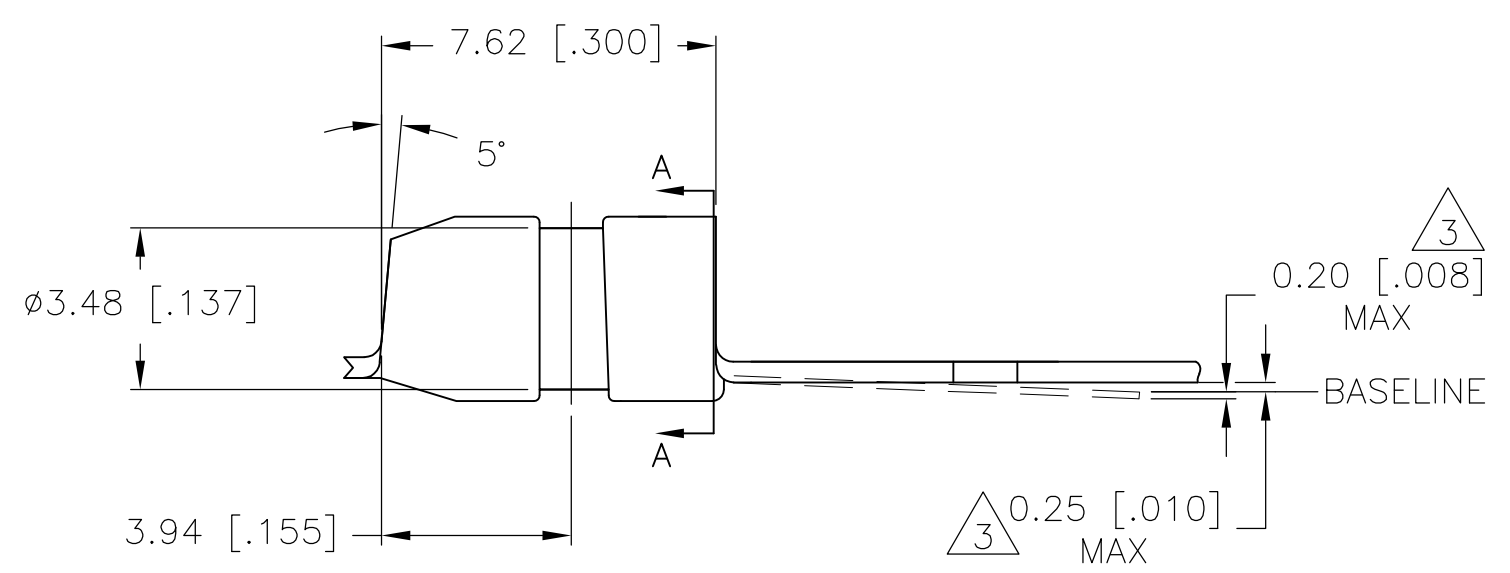


THIS DRAWING IS UNPUBLISHED. RELEASED FOR PUBLICATION
 © COPYRIGHT BY TYCO ELECTRONICS CORPORATION. ALL RIGHTS RESERVED.

LOC	DIST	REVISIONS			
P	LTR	DESCRIPTION	DATE	DWN	APVD
AF	50	H1	REVISED PER ECR-07-012344	05JUN07	HMR DD



- 1 DIMENSIONS IN BRACKETS ARE IN INCHES
- 2 CONTINUOUS STRIP ON REELS
- 3 0.25 [.010] MAX DIM ABOVE BASELINE,
0.20 [.008] MAX DIM BELOW BASELINE,
TO BE HELD OVER 6.10 [.240] APPLICATOR CUT-OFF.
- 4 REELED WITH PAPER
- 5 PRELIMINARY NOT FOR PRODUCTION.



FINISH	MATERIAL	PART NO
PRE-TIN	0.46 [.018] BRASS	62829-3
-	0.46 [.018] NI-SILVER(65-18)	62829-2
PRE-TIN	0.46 [.018] BRASS	62829-1

THIS DRAWING IS A CONTROLLED DOCUMENT.		DWN RAGHAVENDRA 05JUN07	Tyco Electronics Corporation Harrisburg, Pa 17105-3608	
DIMENSIONS: mm [INCHES]	TOLERANCES UNLESS OTHERWISE SPECIFIED:	CHK D DECKER 05JUN07	APVD D DECKER 05JUN07	
	0 PLC ± -	NAME		
	1 PLC ± -	PRODUCT SPEC		
	2 PLC ± -	APPLICATION SPEC		
	3 PLC ± 0.38 [.015]	SIZE CAGE CODE DRAWING NO RESTRICTED TO		
MATERIAL SEE TABLE	FINISH SEE TABLE	4 PLC ± -		A3 00779 C-62829
		ANGLES ± -	SCALE 6:1 SHEET 1 OF 1 REV H1	
CUSTOMER DRAWING		WEIGHT -		