



Chipsmall Limited consists of a professional team with an average of over 10 year of expertise in the distribution of electronic components. Based in Hongkong, we have already established firm and mutual-benefit business relationships with customers from,Europe,America and south Asia,supplying obsolete and hard-to-find components to meet their specific needs.

With the principle of “Quality Parts,Customers Priority,Honest Operation,and Considerate Service”,our business mainly focus on the distribution of electronic components. Line cards we deal with include Microchip,ALPS,ROHM,Xilinx,Pulse,ON,Everlight and Freescale. Main products comprise IC,Modules,Potentiometer,IC Socket,Relay,Connector.Our parts cover such applications as commercial,industrial, and automotives areas.

We are looking forward to setting up business relationship with you and hope to provide you with the best service and solution. Let us make a better world for our industry!



Contact us

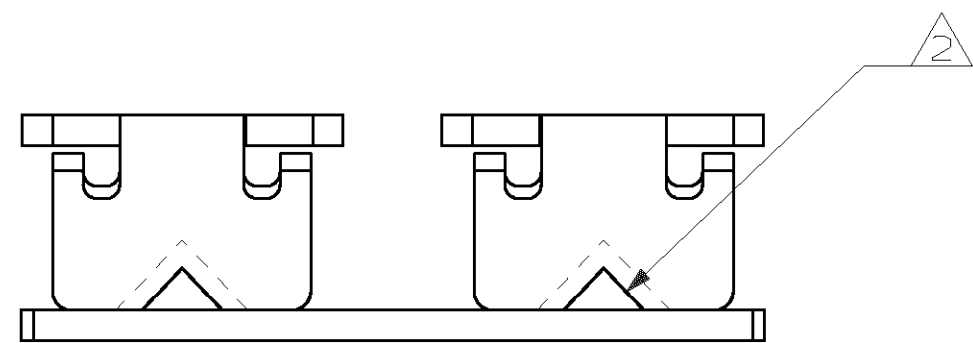
Tel: +86-755-8981 8866 Fax: +86-755-8427 6832

Email & Skype: info@chipsmall.com Web: www.chipsmall.com

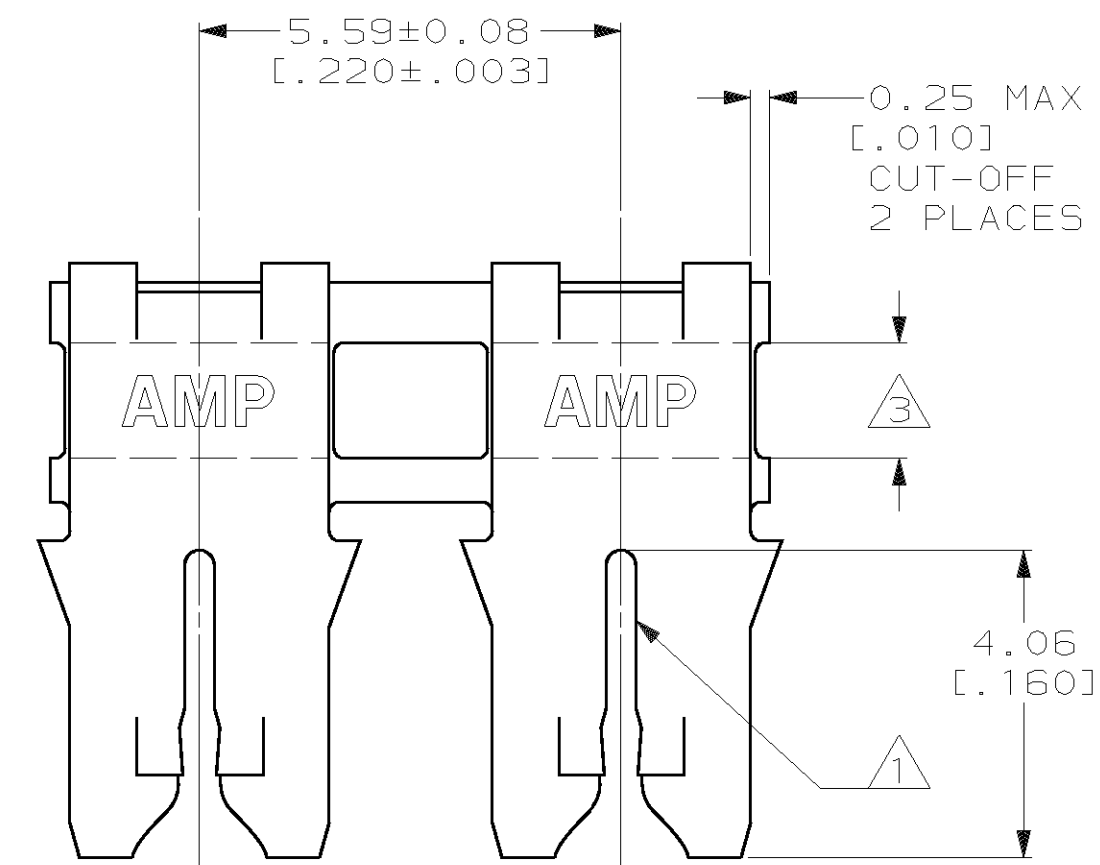
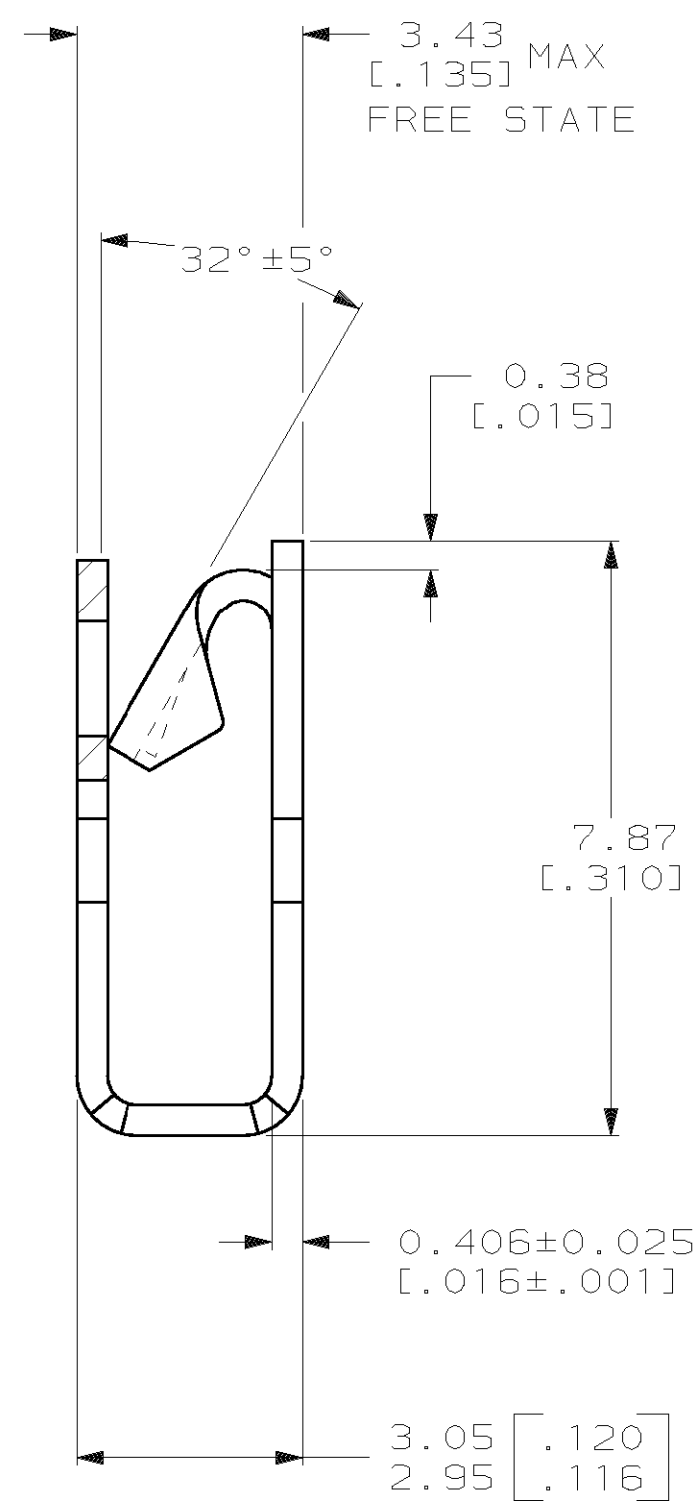
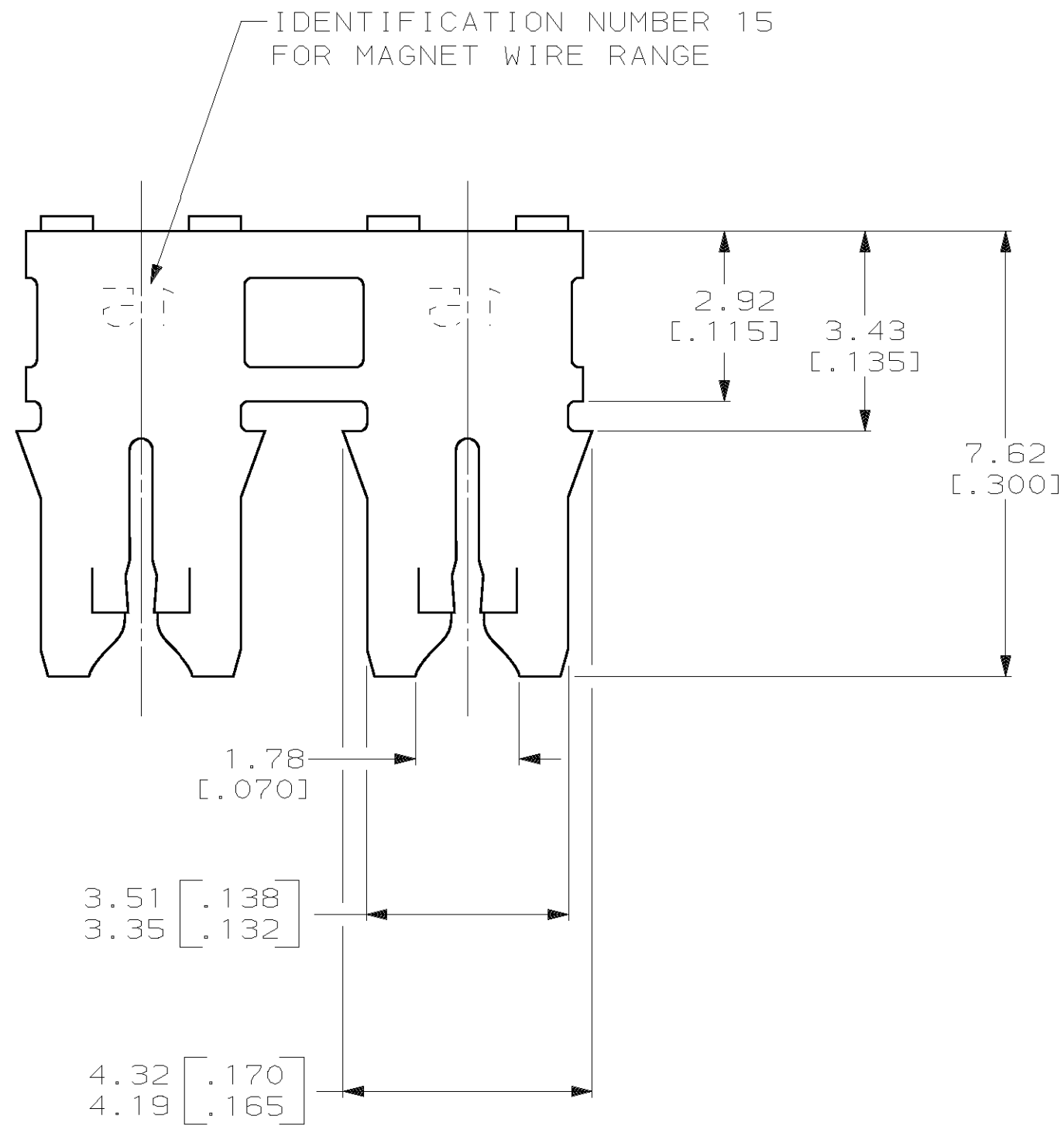
Address: A1208, Overseas Decoration Building, #122 Zhenhua RD., Futian, Shenzhen, China



LOC		DIST		ZONE		LTR		REVISIONS		DATE	APPD
AF	50	P	F			C		REVISED PER 063A-0451-00	24JUL00	MF-KR	



- ① SLOT ACCEPTS 0.64-0.81mm [#22-#20] AWG COPPER MAGNET WIRE. A SINGLE WIRE ONLY.
- ② POKE-IN ACCEPTS A 0.81-1.02mm² [#20-#18] AWG SOLID OR FUSED STRANDED LEAD WIRE.
- ③ BLACK COLOR STRIPE TO BE APPLIED TO THIS SURFACE DURING LOOSE PIECE OPERATION TO PROVIDE COLOR CODING OF MAGNET WIRE RANGE.



62841-1
PART NO

DO NOT SCALE PRINT. UNLESS SPECIFIED DIMENSIONS IN mm [INCHES] TOLERANCES ON: 2 PLC DEC ± 0.25 [.010] 3 PLC DEC ± - ANGLES ± -	DR 26/MAY/94 R.R. BUCHHEISTER JR.	AMP Incorporated Harrisburg, PA 17105-3608	
	CHK 31/MAY/94 MICHAEL S. FEHER		
MATERIAL 4M BRASS	APPD 31/MAY/94 NELSON E. NEFF	TERMINAL, POKE-IN, DUAL LOOSE PIECE, 300 SERIES MAG-MATE™	
FINISH 0.002032 [.000080] MIN TIN PLATE	APPD 31/MAY/94 TERRY L. SHUTTER		
	PRODUCT SPEC 108-2021	SIZE C 00779	DRAWING NO C=62841
	APPLICATION SPEC 114-2046	SCALE 10:1	SHEET 1 OF 1
	WEIGHT -		

THIS DRAWING IS A CONTROLLED DOCUMENT FOR AMP INCORPORATED. IT IS SUBJECT TO CHANGE AND THE CONTROLLING ENGINEERING ORGANIZATION SHOULD BE CONTACTED FOR THE LATEST REVISION.