



Chipsmall Limited consists of a professional team with an average of over 10 year of expertise in the distribution of electronic components. Based in Hongkong, we have already established firm and mutual-benefit business relationships with customers from,Europe,America and south Asia,supplying obsolete and hard-to-find components to meet their specific needs.

With the principle of "Quality Parts,Customers Priority,Honest Operation,and Considerate Service",our business mainly focus on the distribution of electronic components. Line cards we deal with include Microchip,ALPS,ROHM,Xilinx,Pulse,ON,Everlight and Freescale. Main products comprise IC,Modules,Potentiometer,IC Socket,Relay,Connector.Our parts cover such applications as commercial,industrial, and automotives areas.

We are looking forward to setting up business relationship with you and hope to provide you with the best service and solution. Let us make a better world for our industry!



Contact us

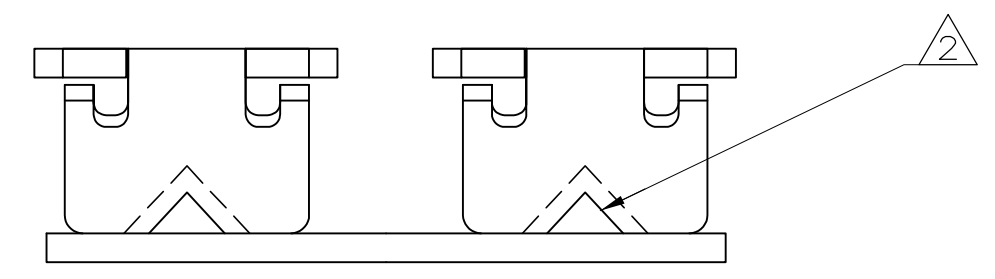
Tel: +86-755-8981 8866 Fax: +86-755-8427 6832

Email & Skype: info@chipsmall.com Web: www.chipsmall.com

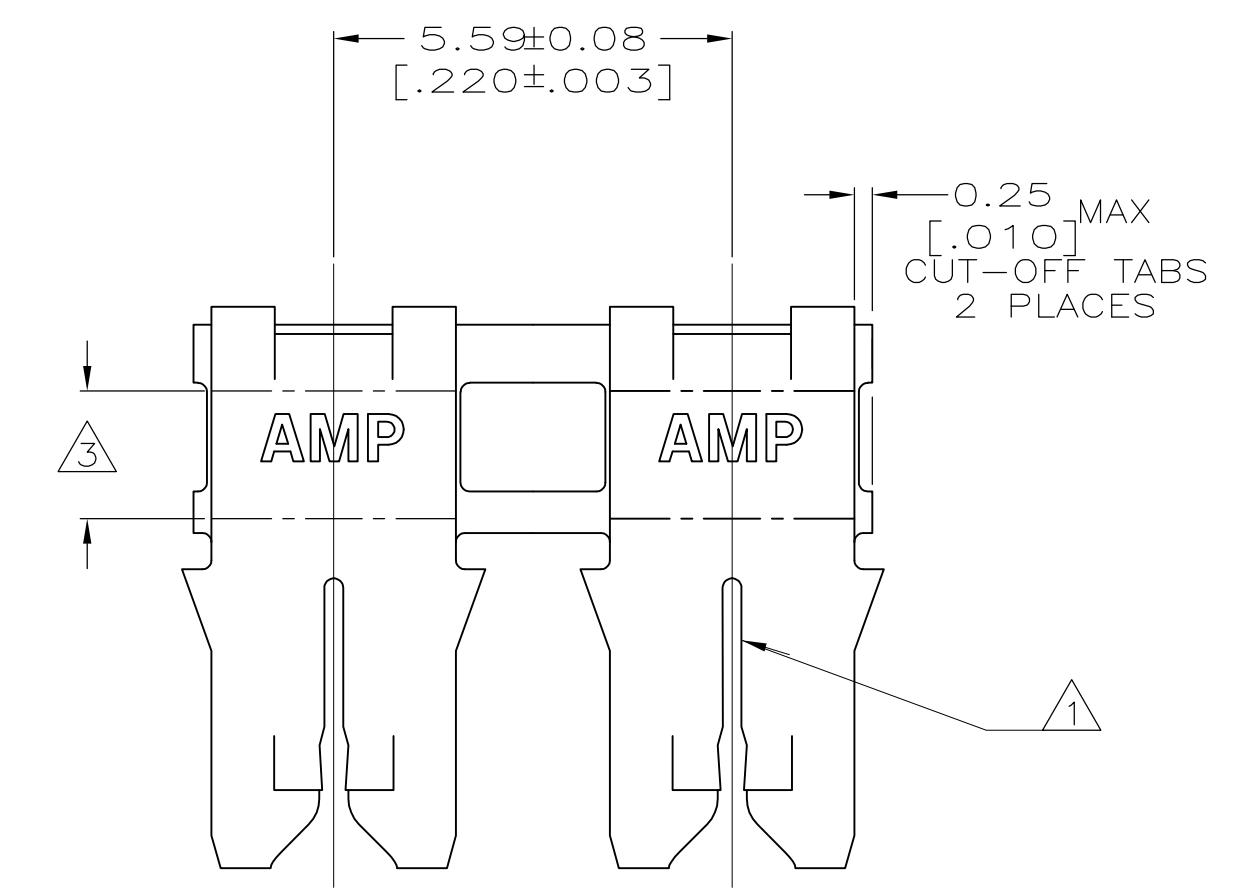
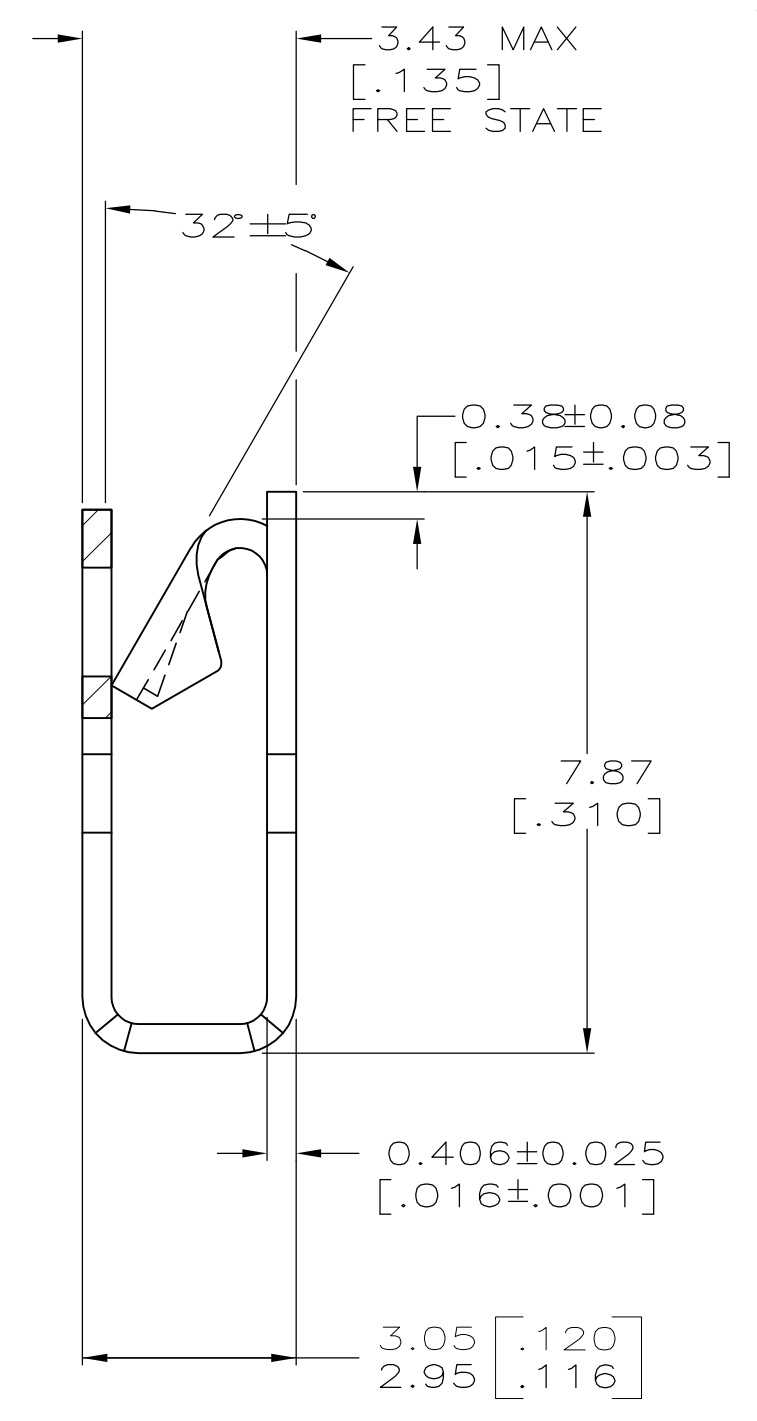
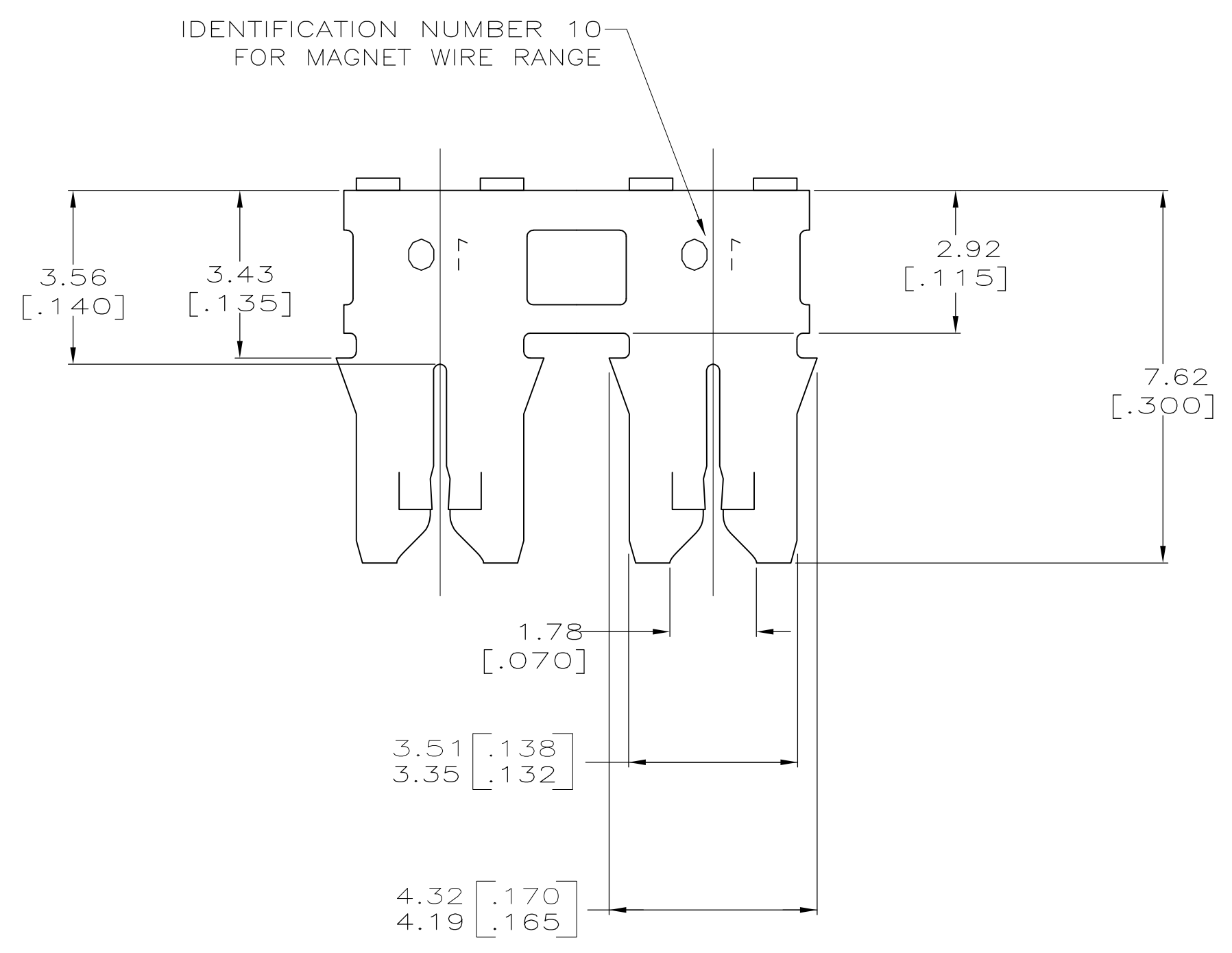
Address: A1208, Overseas Decoration Building, #122 Zhenhua RD., Futian, Shenzhen, China



| LOC | DIST | REVISIONS | | | |
|-----|------|---------------|-----------|-----|------|
| P | LTR | DESCRIPTION | DATE | DWN | APVD |
| AF | 50 | C1 | 10AUG2015 | BDA | PKS |
| | | ECR-15-005665 | | | |



- ① SLOT ACCEPTS 0.36-0.57mm [#27-#23] AWG COPPER MAGNET WIRE.
 SLOT ACCEPTS 0.51-0.64mm [#24-#22]AWG ALUMINUM MAGNET WIRE.
 ALUMINUM WIRE RANGE APPLIES FOR POST-TIN PLATED VERSIONS ONLY. A SINGLE WIRE ONLY.
- ② POKE-IN ACCEPTS A 0.50-0.90mm² [#20-#18] AWG SOLID OR FUSED STRANDED LEAD WIRE.
- ③ RED COLORING ON THIS SURFACE TO PROVIDE CODING OF MAGNET WIRE RANGE.



62842-1
 PART NUMBER

| | | | | |
|--|---|--------------------------------------|-----------------------------------|--|
| THIS DRAWING IS A CONTROLLED DOCUMENT. | | DWN MICHAEL S. FEHER 26NOV96 | TE connectivity | |
| DIMENSIONS: mm [INCHES] | | CHK RICHARD GRZYBOWSKI 26NOV96 | NAME NELSON E. NEFF 26NOV96 | |
| TOLERANCES UNLESS OTHERWISE SPECIFIED: | | APVD NELSON E. NEFF 26NOV96 | PRODUCT SPEC 108-2012 | |
| 0 PLC ±- | 1 PLC ±- | APPLICATION SPEC 114-2046 | | |
| 2 PLC ±0.25[.010] | 3 PLC ±- | SIZE A2 | | |
| 4 PLC ±- | ANGLES ±- | CAGE CODE 00779 | | |
| MATERIAL 4M BRASS | FINISH 0.002032[.000080] MIN TIN PER MIL-T-10727 | DRAWING NO G-62842 | | |
| WEIGHT - | | RESTRICTED TO | | |
| CUSTOMER DRAWING | | SCALE 10:1 SHEET 1 OF 1 REV C1 | | |