



Chipsmall Limited consists of a professional team with an average of over 10 year of expertise in the distribution of electronic components. Based in Hongkong, we have already established firm and mutual-benefit business relationships with customers from,Europe,America and south Asia,supplying obsolete and hard-to-find components to meet their specific needs.

With the principle of “Quality Parts,Customers Priority,Honest Operation,and Considerate Service”,our business mainly focus on the distribution of electronic components. Line cards we deal with include Microchip,ALPS,ROHM,Xilinx,Pulse,ON,Everlight and Freescale. Main products comprise IC,Modules,Potentiometer,IC Socket,Relay,Connector.Our parts cover such applications as commercial,industrial, and automotives areas.

We are looking forward to setting up business relationship with you and hope to provide you with the best service and solution. Let us make a better world for our industry!



Contact us

Tel: +86-755-8981 8866 Fax: +86-755-8427 6832

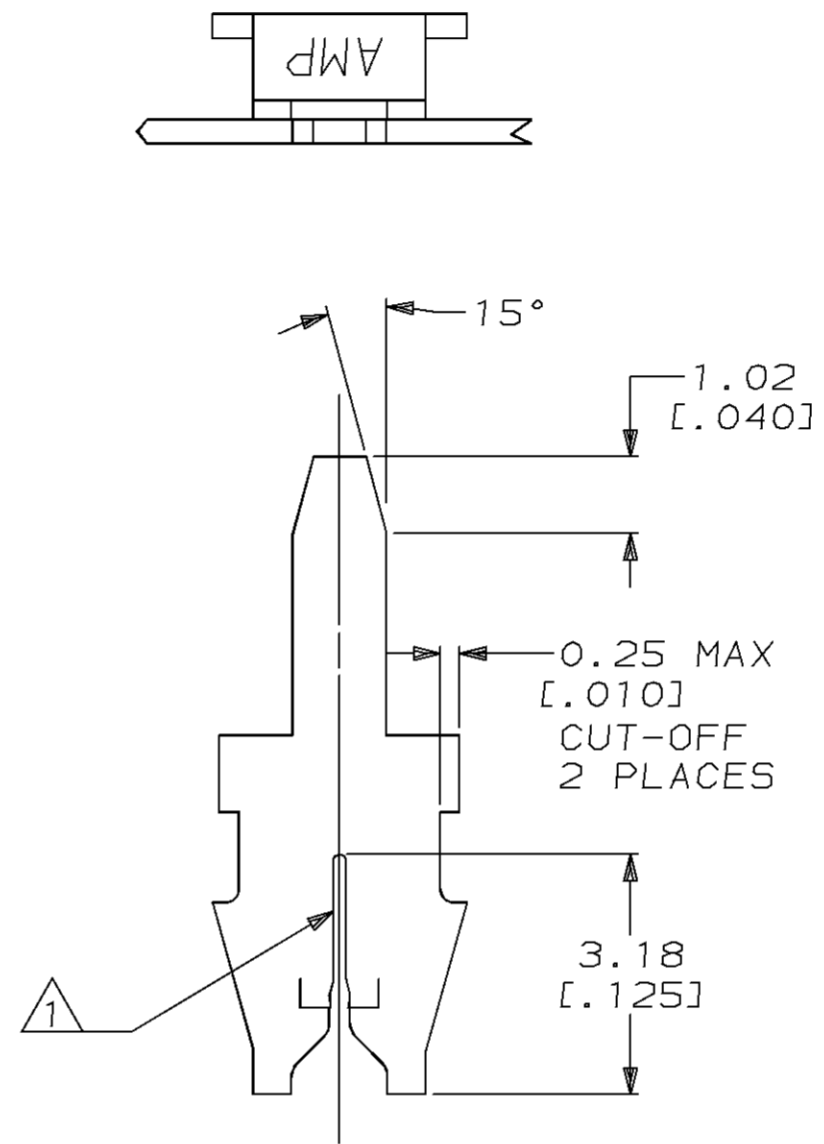
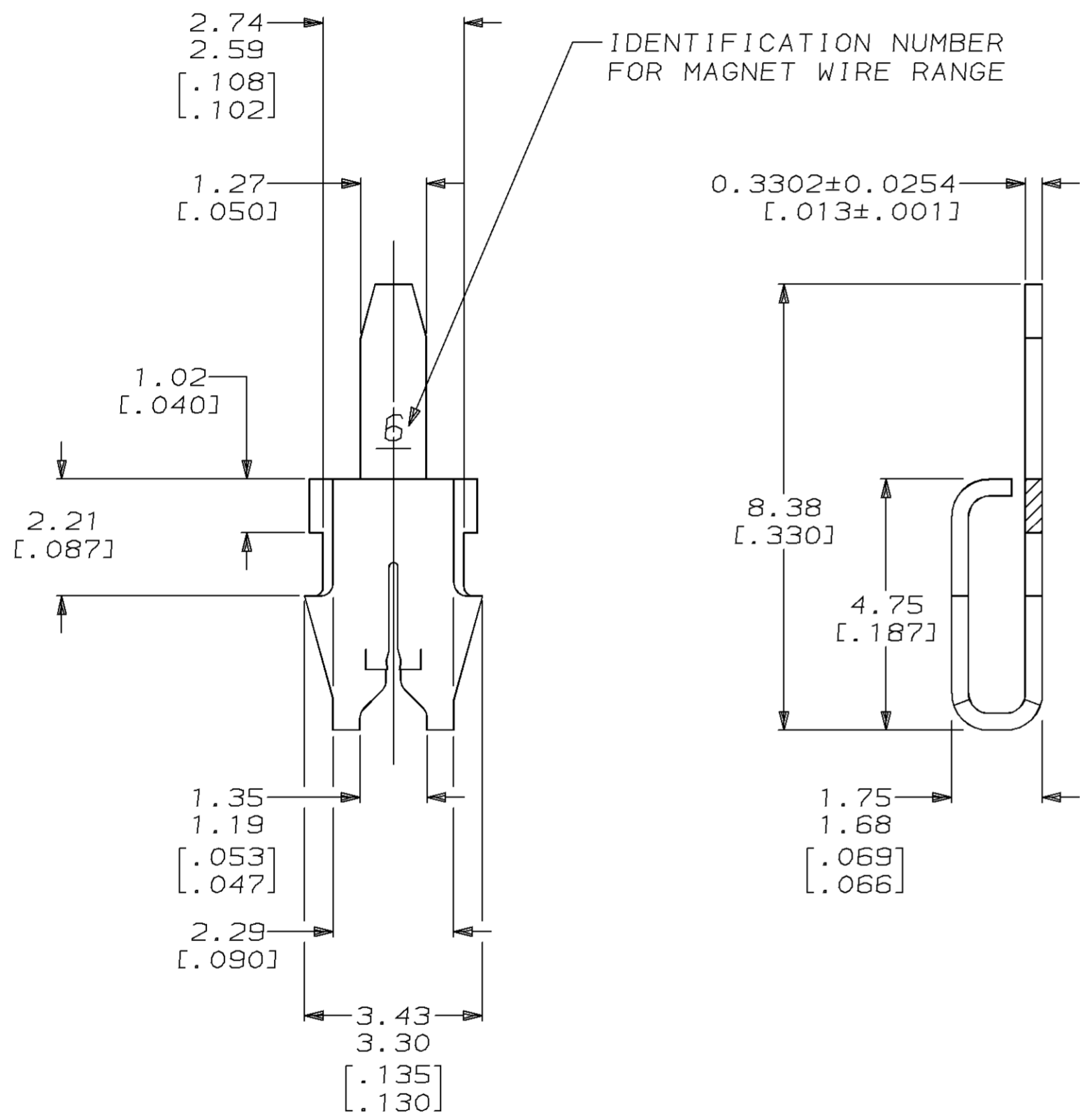
Email & Skype: info@chipsmall.com Web: www.chipsmall.com

Address: A1208, Overseas Decoration Building, #122 Zhenhua RD., Futian, Shenzhen, China



LOC		DIST		REVISIONS				DATE	APPD
AF	50	P	F	ZONE	LTR	DESCRIPTION			
					D	REV PER 0710-0196-96	18JUN96	RG/NN	

- ① SLOT ACCEPTS 0.25-0.32mm [#30-#28] AWG COPPER MAGNET WIRE.
- ② 0.002032[.000080] MIN TIN PER MIL-T-10727 OVER 0.00127[.000050] MIN NICKEL PER QQ-N-290



DO NOT SCALE PRINT. UNLESS SPECIFIED DIMENSIONS IN mm [INCHES] TOLERANCES ON : 2 PLC DEC ± 0.25 [.010] 3 PLC DEC ± - ANGLES ± -		DR 25/MAY/94 R.R. BUCHHEISTER		AMP Incorporated Harrisburg, PA 17105-3608	
MATERIAL H04 BRASS		CHK 26/MAY/94 M.S. FEHER			
FINISH ②		APPD 06/JUN/94 T.L. SHUTTER		NAME TERMINAL, POSTED, LOOSE PIECE, MAG-MATE™	
APPLIC. SPEC 114-2069		SIZE C	CAGE CODE 00779	DRAWING NO G-62874	
WEIGHT -		SCALE 10:1		SHEET 1 OF 1	

THIS DRAWING IS A CONTROLLED DOCUMENT FOR AMP INCORPORATED. IT IS SUBJECT TO CHANGE AND THE CONTROLLING ENGINEERING ORGANIZATION SHOULD BE CONTACTED FOR THE LATEST REVISION.