



Chipsmall Limited consists of a professional team with an average of over 10 year of expertise in the distribution of electronic components. Based in Hongkong, we have already established firm and mutual-benefit business relationships with customers from,Europe,America and south Asia,supplying obsolete and hard-to-find components to meet their specific needs.

With the principle of “Quality Parts,Customers Priority,Honest Operation,and Considerate Service”,our business mainly focus on the distribution of electronic components. Line cards we deal with include Microchip,ALPS,ROHM,Xilinx,Pulse,ON,Everlight and Freescale. Main products comprise IC,Modules,Potentiometer,IC Socket,Relay,Connector.Our parts cover such applications as commercial,industrial, and automotives areas.

We are looking forward to setting up business relationship with you and hope to provide you with the best service and solution. Let us make a better world for our industry!



Contact us

Tel: +86-755-8981 8866 Fax: +86-755-8427 6832

Email & Skype: info@chipsmall.com Web: www.chipsmall.com

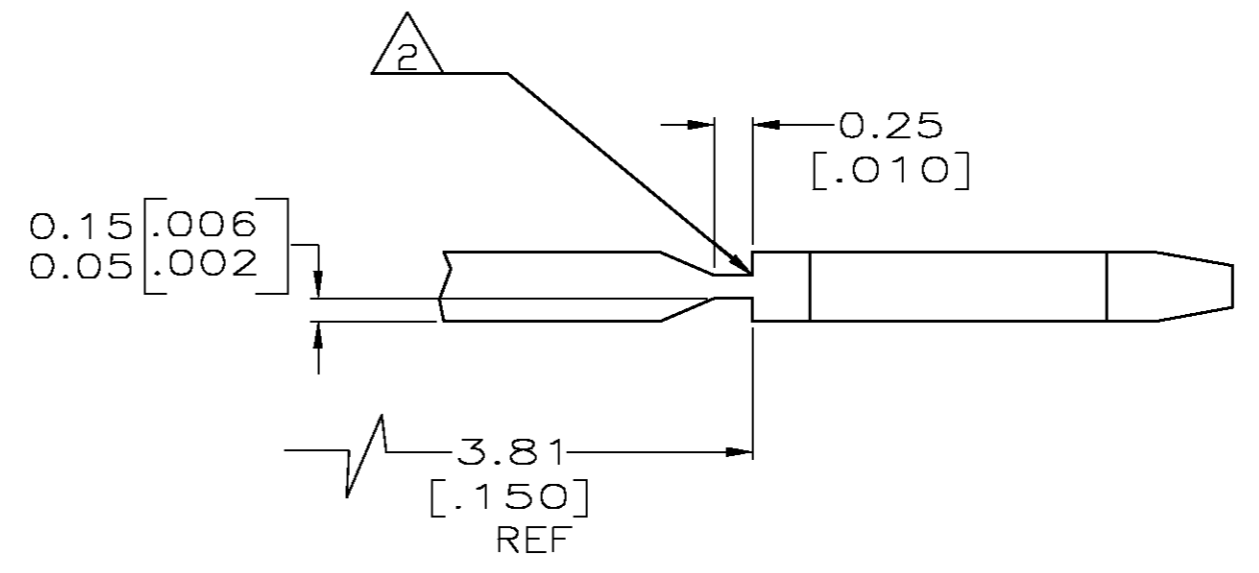
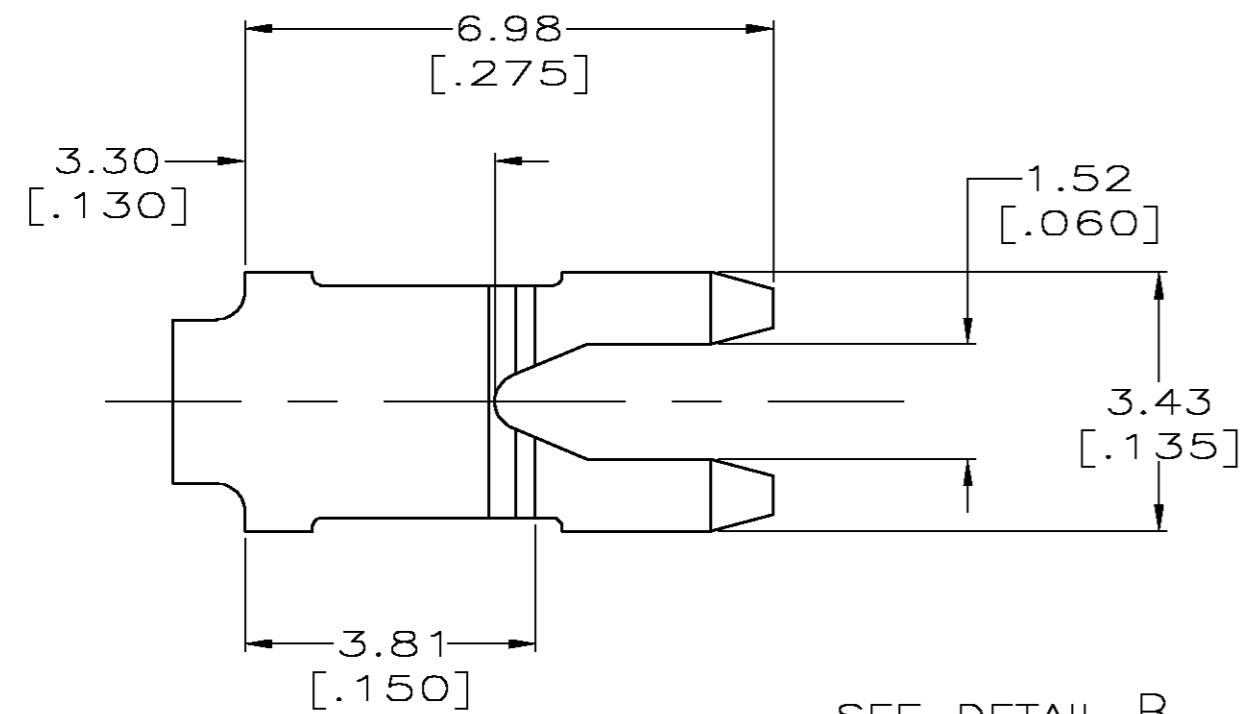
Address: A1208, Overseas Decoration Building, #122 Zhenhua RD., Futian, Shenzhen, China



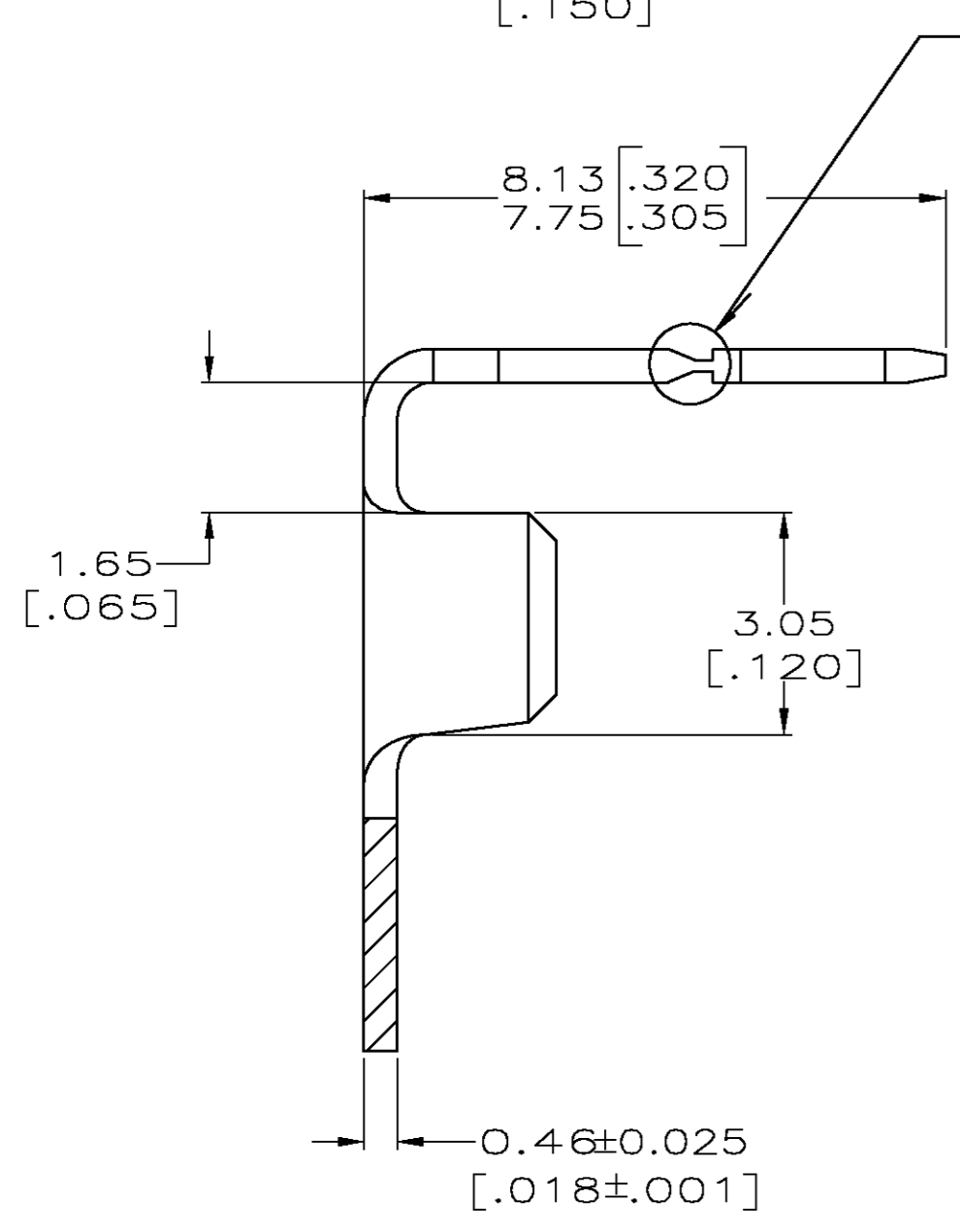
THIS DRAWING IS UNPUBLISHED. RELEASED FOR PUBLICATION
 © COPYRIGHT BY TYCO ELECTRONICS CORPORATION. ALL RIGHTS RESERVED.

LOC		DIST		REVISIONS			
P	LTR	DESCRIPTION	DATE	DWN	APVD		
AF	50	J	18DEC02	MF	KR		
		REVISED PER 0G3A-0750-02					

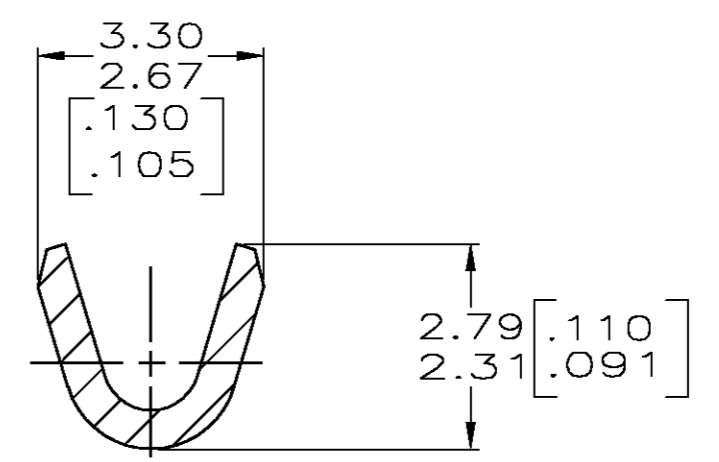
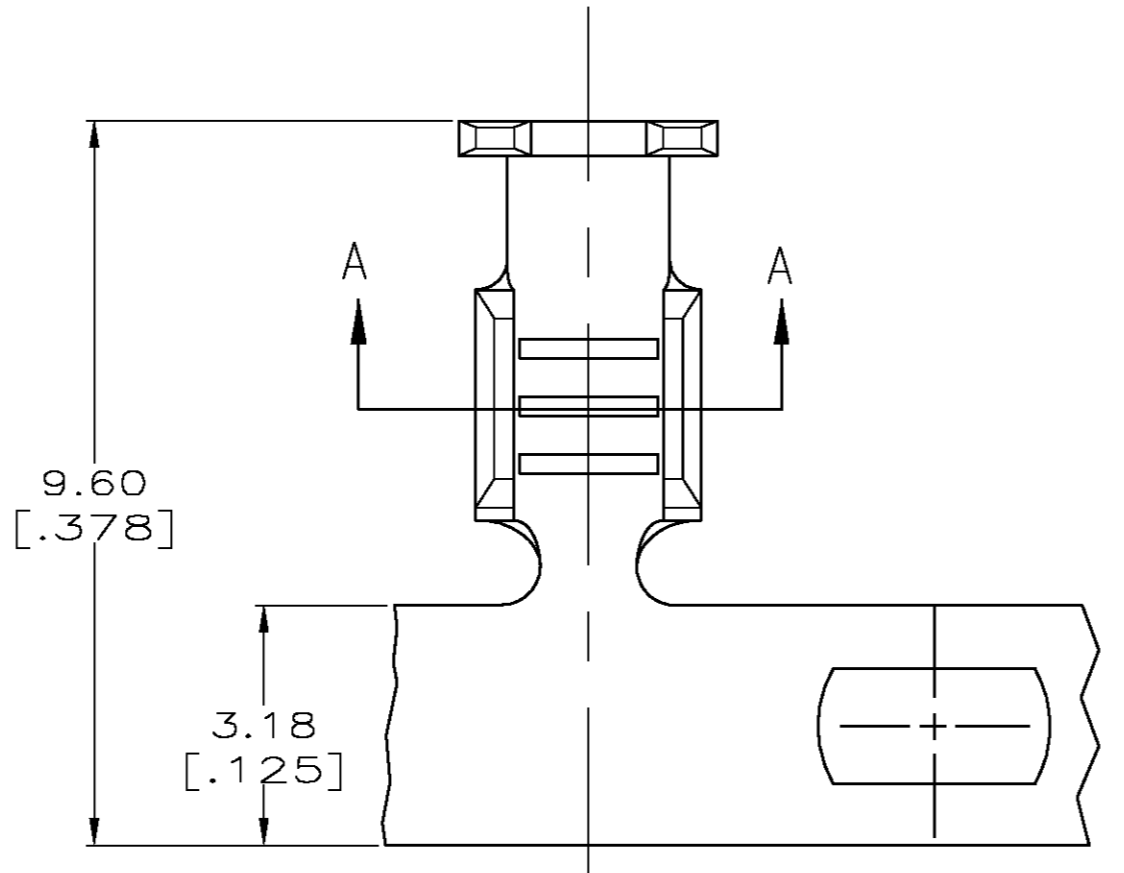
1 CONTINUOUS STRIP ON REELS WITH TERMINALS LOCATED ON 9.14 ± 0.08 [$.360 \pm .003$] CENTERS.
 2 FOR OPTIMUM RETENTION IN POKE-IN TYPE MAG-MATE TERMINALS, THE SERRATION AS SHOWN MUST BE ENGAGED WITH THE EDGE OF THE LEAF



DETAIL B
SCALE 20:1



SEE DETAIL B



SECTION A-A

0.30-0.8mm [22-18] AWG	62895-1
WIRE RANGE	PART NUMBER

THIS DRAWING IS A CONTROLLED DOCUMENT.		DWN M.S. FEHER 18DEC2002	Tyco Electronics Corporation Harrisburg, PA 17105-3608	
DIMENSIONS: INCHES		CHK K.A. RANDOLPH 18DEC2002	NAME TAB, POKE-IN, MAG-MATE™	
TOLERANCES UNLESS OTHERWISE SPECIFIED:		APVD K.A. RANDOLPH 18DEC2002	PRODUCT SPEC 108-22045	
0 PLC ± -		APPLICATION SPEC 114-2050	SIZE A2	CAGE CODE 00779
1 PLC ± -		WEIGHT -	DRAWING NO C=62895	RESTRICTED TO -
2 PLC ± 0.25[.010]		CUSTOMER DRAWING		
3 PLC ± -		SCALE 10:1	SHEET 1 OF 1	REV J
4 PLC ± -				
ANGLES ± -				
FINISH 0.000381[.000015] MIN PRE-TIN PLATE				

CUSTOMER DRAWING

62895

62895

62895