



Chipsmall Limited consists of a professional team with an average of over 10 year of expertise in the distribution of electronic components. Based in Hongkong, we have already established firm and mutual-benefit business relationships with customers from,Europe,America and south Asia,supplying obsolete and hard-to-find components to meet their specific needs.

With the principle of “Quality Parts,Customers Priority,Honest Operation,and Considerate Service”,our business mainly focus on the distribution of electronic components. Line cards we deal with include Microchip,ALPS,ROHM,Xilinx,Pulse,ON,Everlight and Freescale. Main products comprise IC,Modules,Potentiometer,IC Socket,Relay,Connector.Our parts cover such applications as commercial,industrial, and automotives areas.

We are looking forward to setting up business relationship with you and hope to provide you with the best service and solution. Let us make a better world for our industry!



Contact us

Tel: +86-755-8981 8866 Fax: +86-755-8427 6832

Email & Skype: info@chipsmall.com Web: www.chipsmall.com

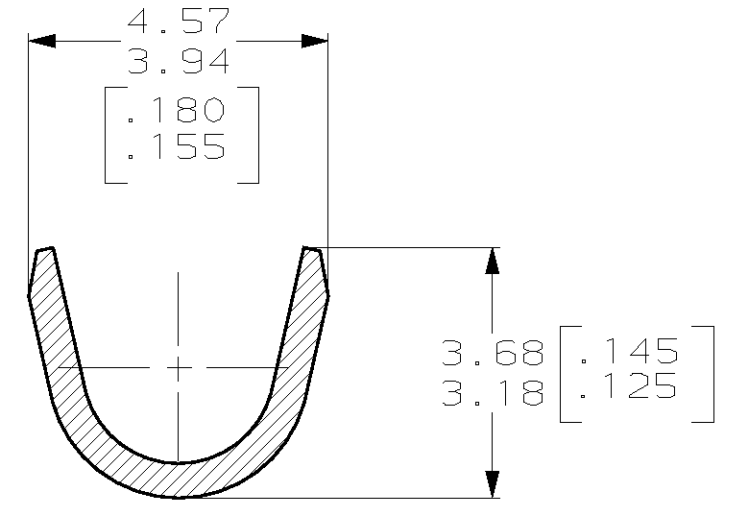
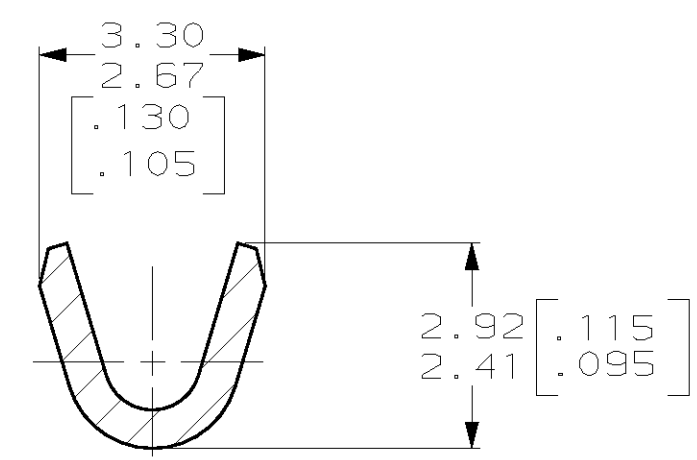
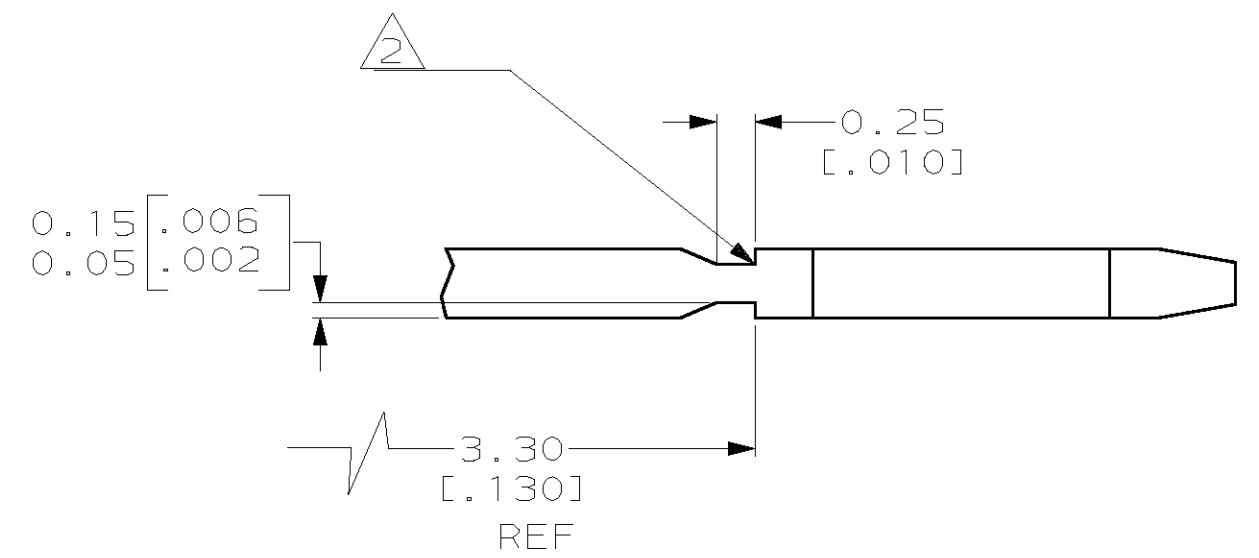
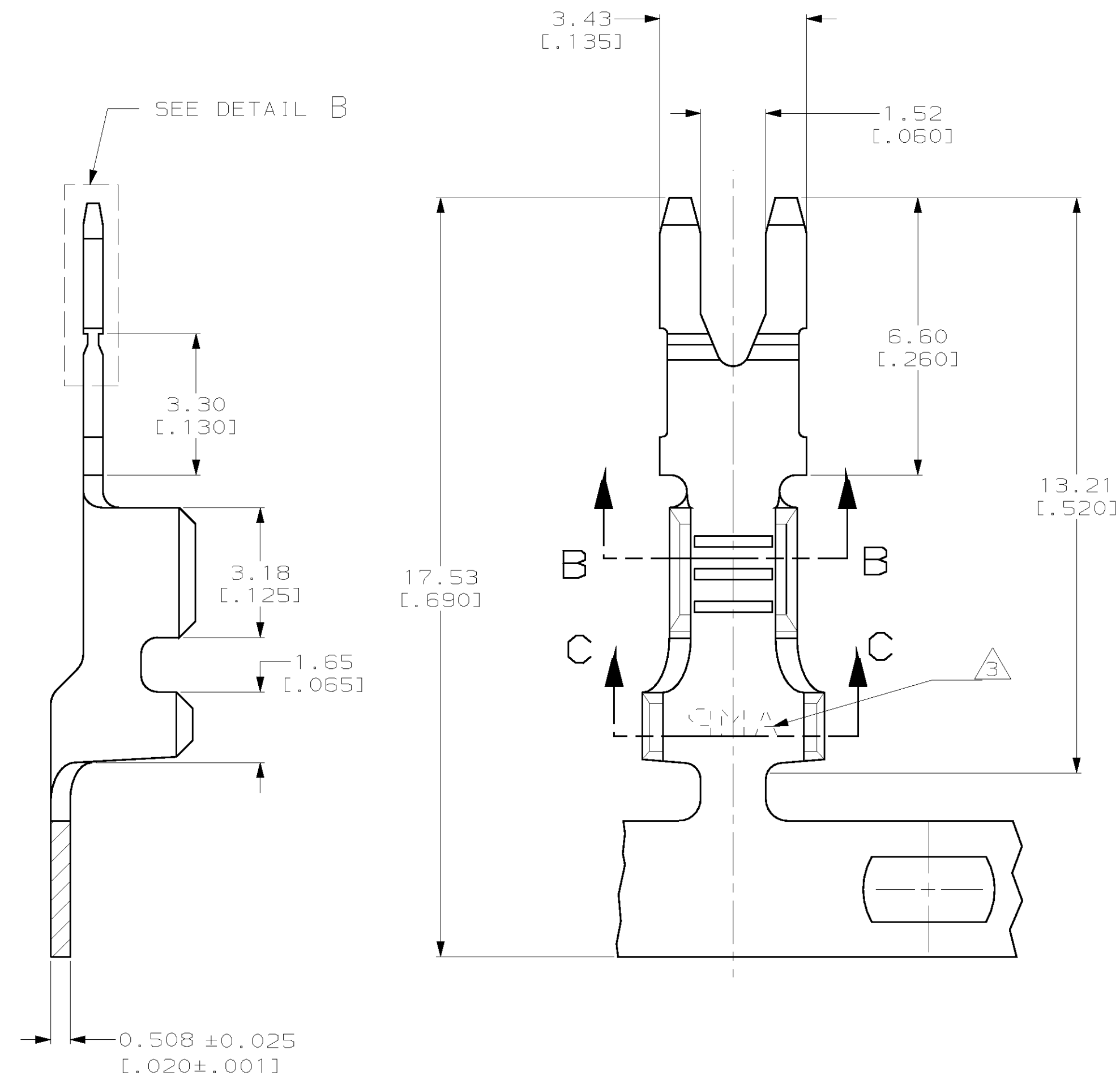
Address: A1208, Overseas Decoration Building, #122 Zhenhua RD., Futian, Shenzhen, China



THIS DRAWING IS UNPUBLISHED. RELEASED FOR PUBLICATION
 (C) COPYRIGHT 19 BY AMP INCORPORATED. ALL RIGHTS RESERVED.

| LOC | DIST | REVISIONS | | | |
|-----|------|----------------------|---------|-----|------|
| P | LTR | DESCRIPTION | DATE | DWN | APVD |
| AF | 50 | REV PER 0L10-0048-98 | 26FEB98 | RG | GP |

- 1 CONTINUOUS STRIP ON REELS
- 2 FOR OPTIMUM RETENTION IN POKE-IN TYPE MAG-MATE TERMINALS, THE SERRATION AS SHOWN MUST BE ENGAGED WITH THE EDGE OF THE LEAF



| | | |
|------------------------------|-------------------------------------|-------------|
| 1.52-2.54 [.060-.100] DIA | 0.3-0.8mm ² [#22-#18] | 62898-1 |
| INSULATION RANGE | WIRE RANGE | PART NUMBER |

| | | | | |
|--|--|--------------------------------|---|--------------------|
| THIS DRAWING IS A CONTROLLED DOCUMENT. | | DWN R.GRZYBOWSKI 26NOV96 | AMP Incorporated Harrisburg, PA 17105-3608 | |
| DIMENSIONS: mm [INCHES] | TOLERANCES UNLESS OTHERWISE SPECIFIED: | CHK M.S.FEHER 26NOV96 | NAME G.PORTA 26NOV96 | |
| 0 PLC ± | 1 PLC ± | APVD G.PORTA 26NOV96 | PRODUCT SPEC - | |
| 2 PLC ±0.25 [.010] | 3 PLC ± | APPLICATION SPEC 114-2050 | SIZE A2 | CAGE CODE 00779 |
| 4 PLC ± | ANGLES ± | WEIGHT - | DRAWING NO C-62898 | SCALE 10:1 |
| MATERIAL 082 BRASS | FINISH 0.002032 [.000080] MIN PRE-TIN MIL-T-10727 | CUSTOMER DRAWING | SHEET 1 OF 1 | REV T |

62898