



Chipsmall Limited consists of a professional team with an average of over 10 year of expertise in the distribution of electronic components. Based in Hongkong, we have already established firm and mutual-benefit business relationships with customers from,Europe,America and south Asia,supplying obsolete and hard-to-find components to meet their specific needs.

With the principle of "Quality Parts,Customers Priority,Honest Operation,and Considerate Service",our business mainly focus on the distribution of electronic components. Line cards we deal with include Microchip,ALPS,ROHM,Xilinx,Pulse,ON,Everlight and Freescale. Main products comprise IC,Modules,Potentiometer,IC Socket,Relay,Connector.Our parts cover such applications as commercial,industrial, and automotives areas.

We are looking forward to setting up business relationship with you and hope to provide you with the best service and solution. Let us make a better world for our industry!



Contact us

Tel: +86-755-8981 8866 Fax: +86-755-8427 6832

Email & Skype: info@chipsmall.com Web: www.chipsmall.com

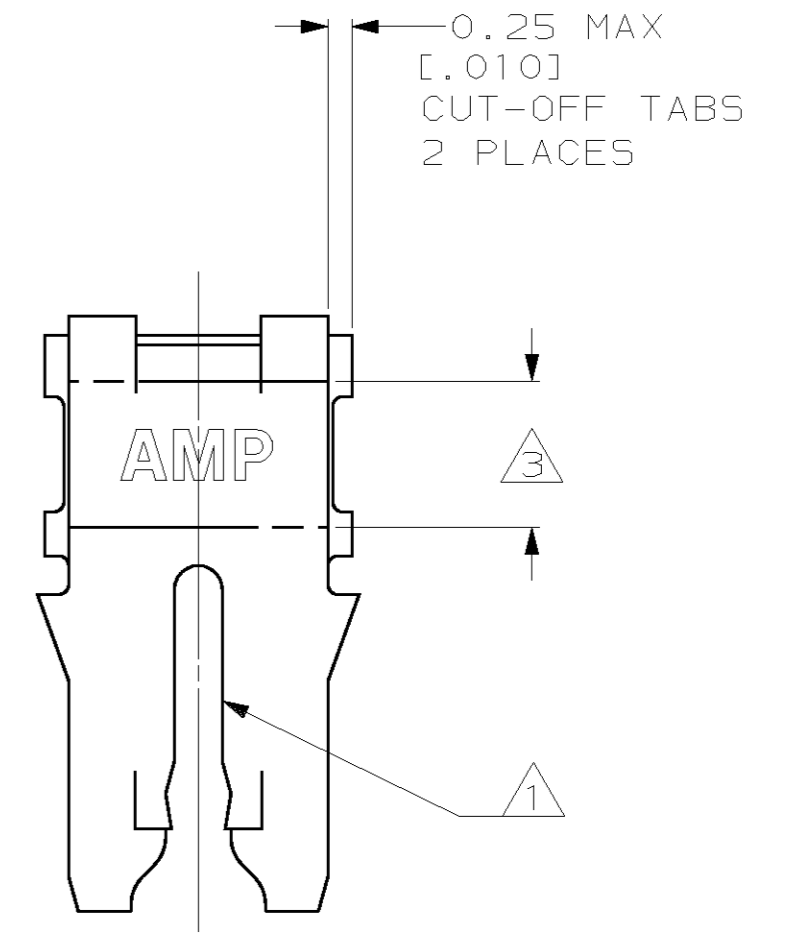
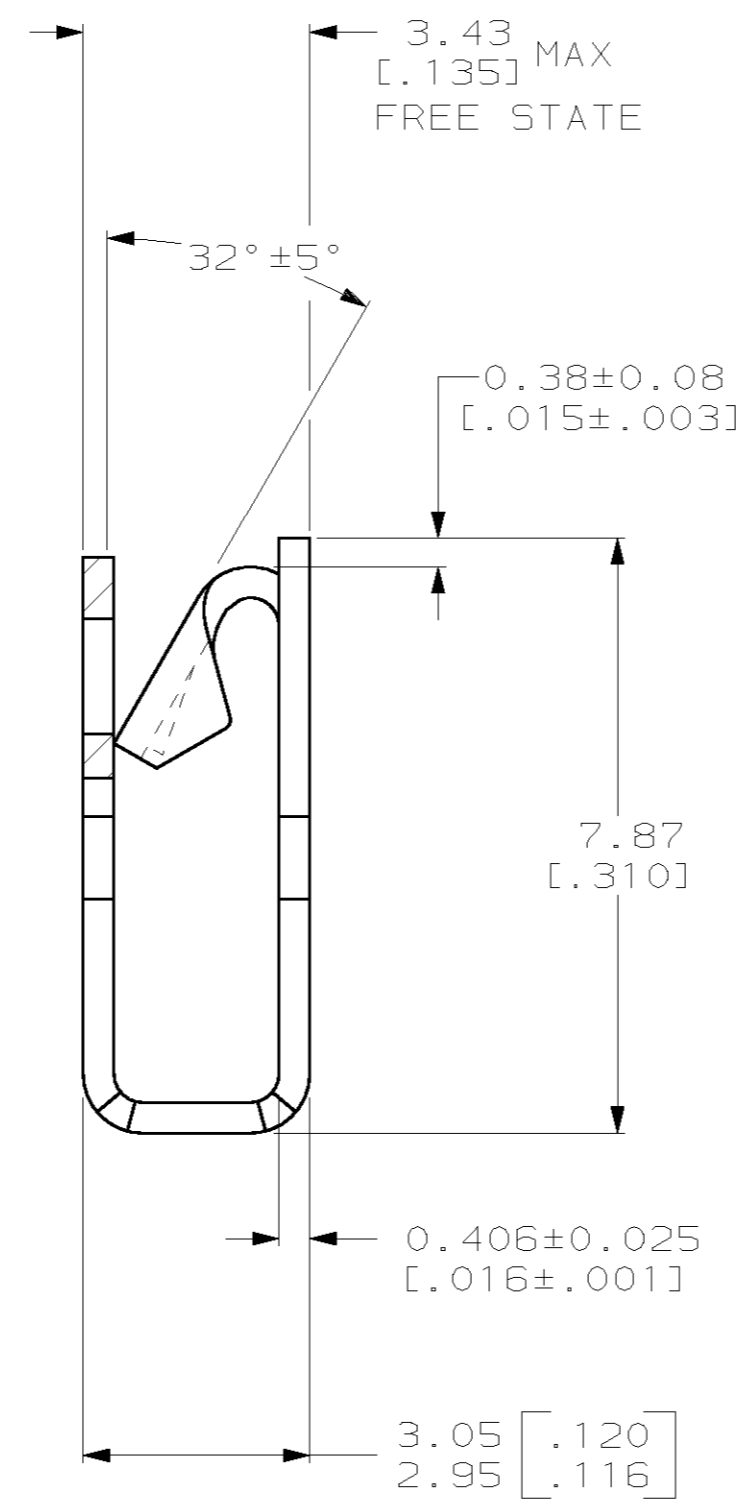
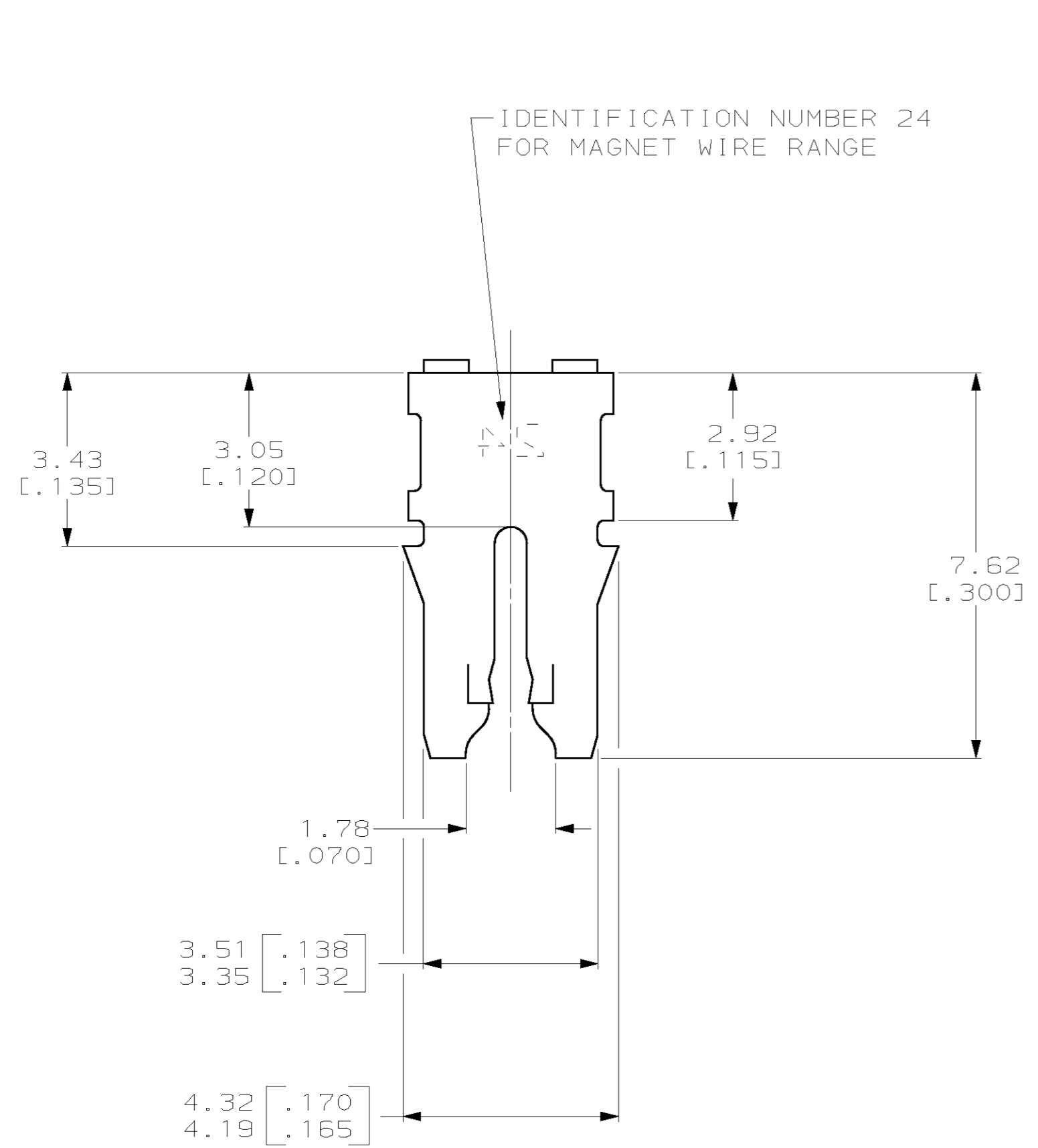
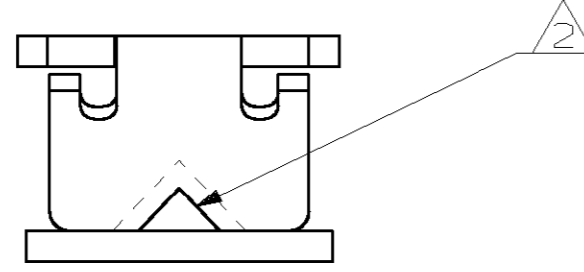
Address: A1208, Overseas Decoration Building, #122 Zhenhua RD., Futian, Shenzhen, China



THIS DRAWING IS UNPUBLISHED. RELEASED FOR PUBLICATION .19
 © COPYRIGHT 19 BY AMP INCORPORATED. ALL RIGHTS RESERVED.

LOC		DIST		REVISIONS			
P	LTR	DESCRIPTION		DATE	DWN	APVD	
AF	50	A	REL PER 0G3A-0542-00		24AUG00	JR	GP

- ① SLOT ACCEPTS 0.91-1.15mm [#19-#17] AWG COPPER MAGNET WIRE. A SINGLE WIRE ONLY.
- ② POKE-IN ACCEPTS A 0.50-0.90mm² [#20-#18] AWG SOLID OR FUSED STRANDED LEAD WIRE.
- ③ ORANGE COLOR STRIPE TO BE APPLIED TO THIS SURFACE DURING LOOSE PIECE OPERATIONS TO PROVIDE COLOR CODING OF MAGNET WIRE RANGE.



④ 62912-1
PART NUMBER

THIS DRAWING IS A CONTROLLED DOCUMENT.		DWN 17JUL2000 MICHAEL S. FEHER	AMP Incorporated Harrisburg, PA 17105-3608	
DIMENSIONS: mm [INCHES]		CHK 17JUL2000 KURT A. RANDOLPH	AMP	
TOLERANCES UNLESS OTHERWISE SPECIFIED:		APVD 17JUL2000 KURT A. RANDOLPH	TERMINAL, POKE-IN, LOOSE PIECE, 300 SERIES MAG-MATE	
0 PLC ±- 1 PLC ±- 2 PLC ±0.25 [.010] 3 PLC ±- 4 PLC ±- ANGLES ±-		PRODUCT SPEC 108-2012	SIZE A2	RESTRICTED TO -
MATERIAL 4M BRASS		APPLICATION SPEC 114-2046	CAGE CODE 00779	DRAWING NO 62912
FINISH 0.002032 [.000080] MIN TIN PLATE		WEIGHT -	SCALE 10:1	SHEET 1 OF 1
		CUSTOMER DRAWING	REV A	

62912