



Chipsmall Limited consists of a professional team with an average of over 10 year of expertise in the distribution of electronic components. Based in Hongkong, we have already established firm and mutual-benefit business relationships with customers from,Europe,America and south Asia,supplying obsolete and hard-to-find components to meet their specific needs.

With the principle of “Quality Parts,Customers Priority,Honest Operation,and Considerate Service”,our business mainly focus on the distribution of electronic components. Line cards we deal with include Microchip,ALPS,ROHM,Xilinx,Pulse,ON,Everlight and Freescale. Main products comprise IC,Modules,Potentiometer,IC Socket,Relay,Connector.Our parts cover such applications as commercial,industrial, and automotives areas.

We are looking forward to setting up business relationship with you and hope to provide you with the best service and solution. Let us make a better world for our industry!



Contact us

Tel: +86-755-8981 8866 Fax: +86-755-8427 6832

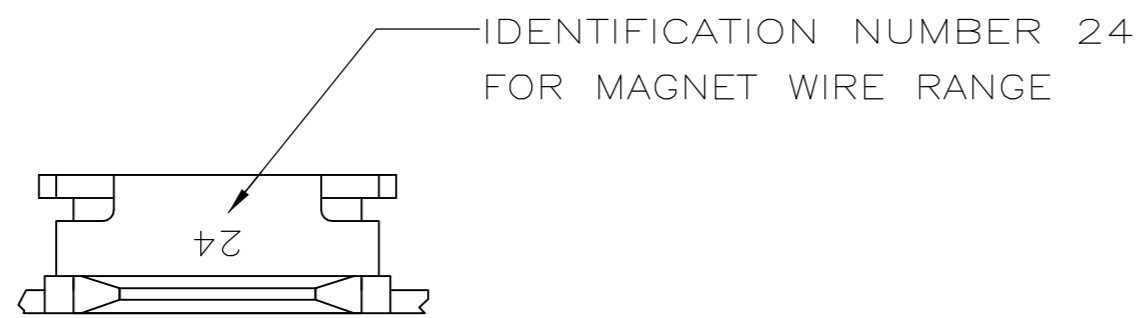
Email & Skype: info@chipsmall.com Web: www.chipsmall.com

Address: A1208, Overseas Decoration Building, #122 Zhenhua RD., Futian, Shenzhen, China

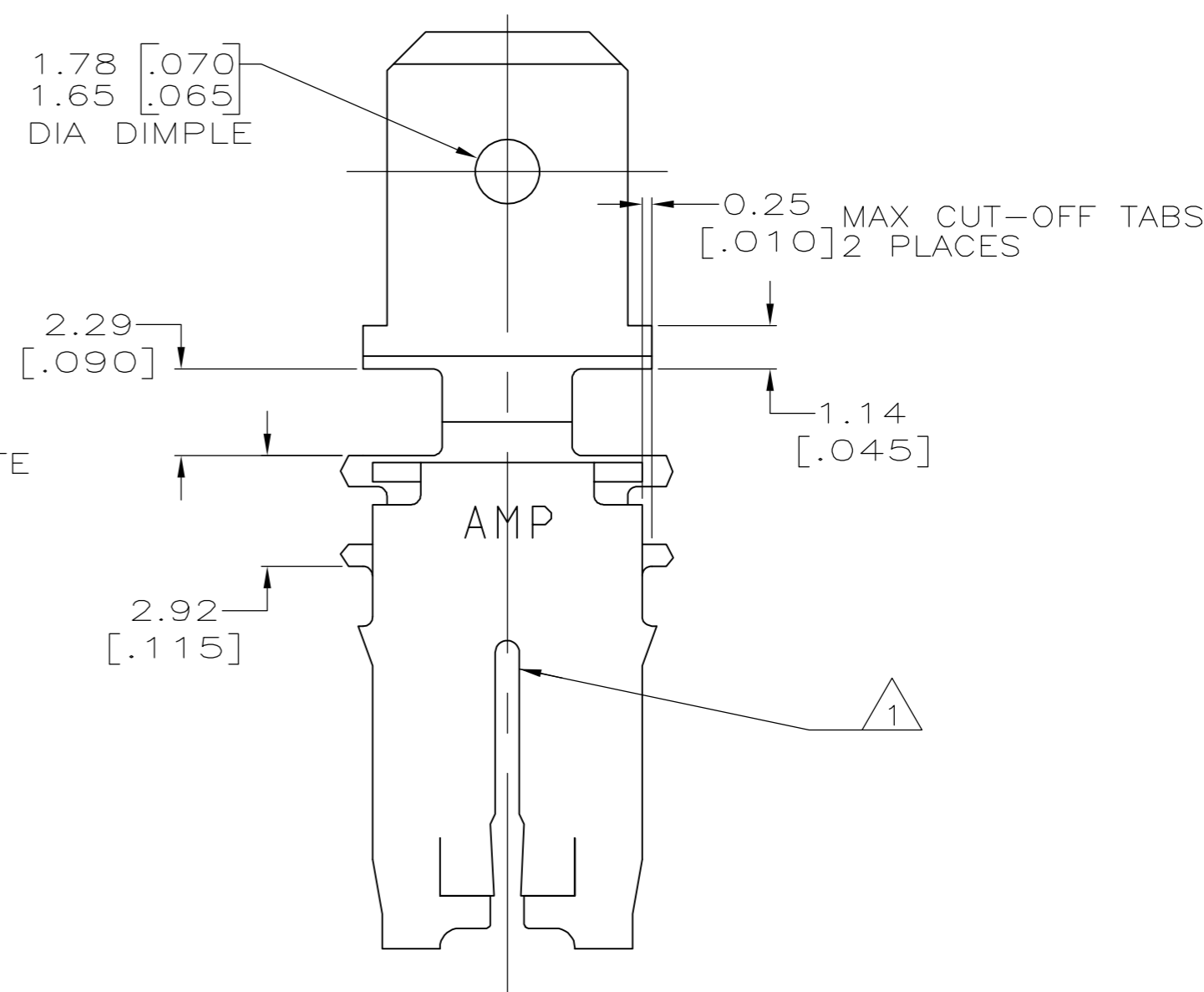
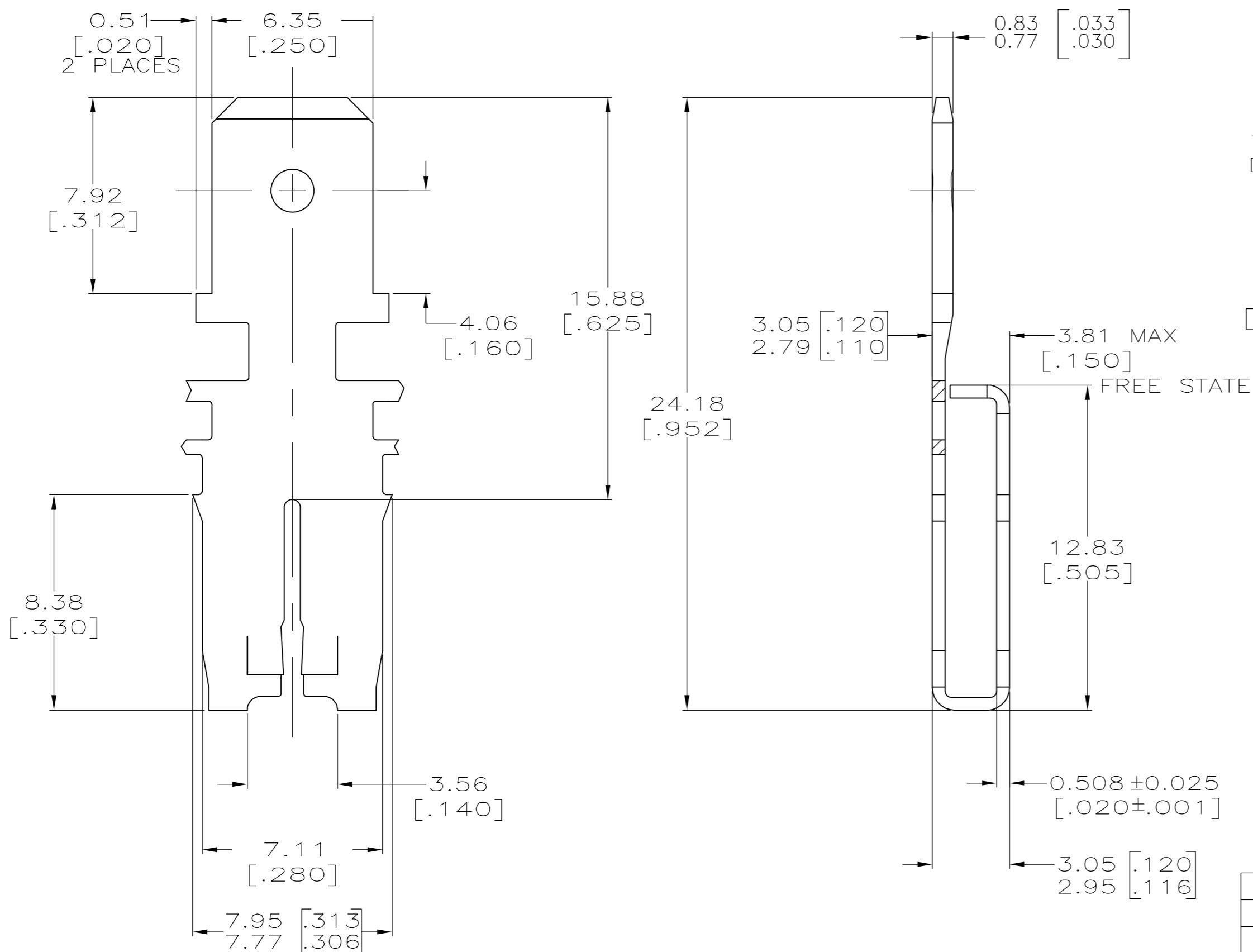


THIS DRAWING IS UNPUBLISHED. RELEASED FOR PUBLICATION
 © COPYRIGHT BY TYCO ELECTRONICS CORPORATION. ALL RIGHTS RESERVED.

LOC	DIST	REVISIONS			
P	LTR	DESCRIPTION	DATE	DWN	APVD
AF	50				
		K	REVISED PER ECR-06-010427	31AUG06	HMR KR



- 1 SLOT ACCEPTS 0.91-1.15mm [#19-#17] AWG COPPER MAGNET WIRE. 2 WIRES OF THE SAME SIZE MAX PER SLOT.
- 2 CONTINUOUS STRIP ON REELS WITH TERMINALS LOCATED ON 8.38±0.08[.330±.003] CENTERS.
- 3 VARNISH RESIST OVER 0.002032[.000080] MIN TIN PLATE.
- 4 PRELIMINARY - NOT FOR PRODUCTION.



H04 PRE-MILLED PHOS BRONZE	BOX DOWN, TAB FORWARD	62923-4
4M PRE-MILLED BRASS	BOX UP, TAB BACK	62923-3
4M PRE-MILLED BRASS	BOX UP, TAB FORWARD	62923-2
4M PRE-MILLED BRASS	BOX DOWN, TAB FORWARD	62923-1
MATERIAL	REELING, LEFT TO RIGHT	PART NUMBER

THIS DRAWING IS A CONTROLLED DOCUMENT.		DWN SCOTT URICH 08JUL98	Tyco Electronics Corporation Harrisburg, PA 17105-3608	
DIMENSIONS: mm [INCHES]		CHK MICHAEL S. FEHER 10AUG98	NAME	
TOLERANCES UNLESS OTHERWISE SPECIFIED:		APVD NELSON E. NEFF 08SEP98	PRODUCT SPEC	
0 PLC ± -	1 PLC ± -	108-2053		
2 PLC ± 0.25[.010]	3 PLC ± -	APPLICATION SPEC		
4 PLC ± -	ANGLES ± -	114-2066		
MATERIAL SEE TABLE	FINISH 3	WEIGHT -	SIZE A2	CAGE CODE 00779
CUSTOMER DRAWING		SCALE 6:1	DRAWING NO C=62923	RESTRICTED TO -
		SHEET 1 of 1	REV K	