



Chipsmall Limited consists of a professional team with an average of over 10 year of expertise in the distribution of electronic components. Based in Hongkong, we have already established firm and mutual-benefit business relationships with customers from,Europe,America and south Asia,supplying obsolete and hard-to-find components to meet their specific needs.

With the principle of “Quality Parts,Customers Priority,Honest Operation,and Considerate Service”,our business mainly focus on the distribution of electronic components. Line cards we deal with include Microchip,ALPS,ROHM,Xilinx,Pulse,ON,Everlight and Freescale. Main products comprise IC,Modules,Potentiometer,IC Socket,Relay,Connector.Our parts cover such applications as commercial,industrial, and automotives areas.

We are looking forward to setting up business relationship with you and hope to provide you with the best service and solution. Let us make a better world for our industry!



## Contact us

Tel: +86-755-8981 8866 Fax: +86-755-8427 6832

Email & Skype: info@chipsmall.com Web: www.chipsmall.com

Address: A1208, Overseas Decoration Building, #122 Zhenhua RD., Futian, Shenzhen, China

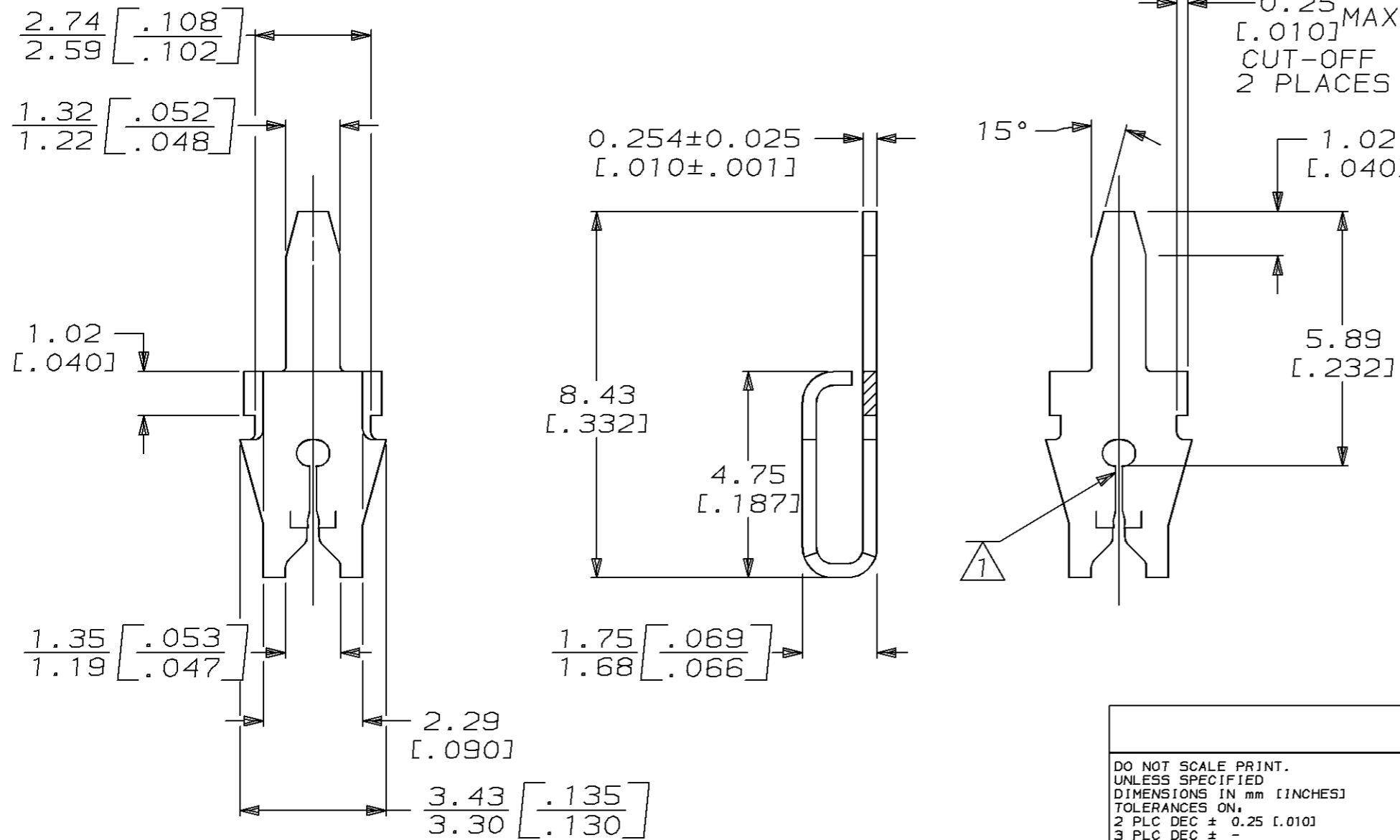


THIS DRAWING IS UNPUBLISHED. RELEASED FOR PUBLICATION, 19 .  
 © COPYRIGHT 19 BY AMP INCORPORATED. ALL INTERNATIONAL RIGHTS RESERVED.

| LOC | DIST | P | F | ZONE | LTR | REVISIONS            | DATE    | APPD  |
|-----|------|---|---|------|-----|----------------------|---------|-------|
| AF  | 50   |   |   |      | C   | REV PER 0710-0165-95 | 5/12/95 | JR/NN |

IDENTIFICATION NUMBER 4 FOR MAGNET WIRE RANGE

- ① SLOT ACCEPTS 0.18-0.23mm DIA [#33-#31]AWG COPPER MAGNET WIRE
- ② 0.00203-0.00635 [.000080-.000250] TIN PLATE PER MIL-T-10727 OVER 0.00254 [.000100] MIN COPPER UNDERPLATE PER MIL-C-14550.



THIS DRAWING IS A CONTROLLED DOCUMENT FOR AMP INCORPORATED. IT IS SUBJECT TO CHANGE AND THE CONTROLLING ENGINEERING ORGANIZATION SHOULD BE CONTACTED FOR THE LATEST REVISION.

|   |                                  |   |  |
|---|----------------------------------|---|--|
| DO NOT SCALE PRINT. UNLESS SPECIFIED DIMENSIONS IN mm [INCHES] TOLERANCES ON:<br>2 PLC DEC ± 0.25 [.010]<br>3 PLC DEC ± -<br>ANGLES ± - |                                  | DR 12/17/93<br>PHILLIP M FORTNEY                    | <b>AMP</b> AMP Incorporated<br>Harrisburg, PA 17105-3608 |
| MATERIAL<br>H04 BRASS   | CHK 12/17/93<br>MICHAEL S FEHER  | NAME<br>TERMINAL, POSTED,<br>LOOSE PIECE, MAG-MATE™ |  |
| FINISH<br>②   | APPD 12/17/93<br>NELSON E NEFF   | SIZE<br>B   | CAGE CODE<br>00779                                       |
|   | APPD 12/17/93<br>TERRY L SHUTTER | DRAWING NO<br>C-62934                               | SCALE<br>8:1   |
|   | PRODUCT SPEC<br>108-2012         | SHEET<br>1 OF 1                                     |  |
|   | APPLICATION SPEC<br>114-2069     |   |  |
|   | WEIGHT -                         |   |  |

62934-1

PART NO