



Chipsmall Limited consists of a professional team with an average of over 10 year of expertise in the distribution of electronic components. Based in Hongkong, we have already established firm and mutual-benefit business relationships with customers from,Europe,America and south Asia,supplying obsolete and hard-to-find components to meet their specific needs.

With the principle of “Quality Parts,Customers Priority,Honest Operation,and Considerate Service”,our business mainly focus on the distribution of electronic components. Line cards we deal with include Microchip,ALPS,ROHM,Xilinx,Pulse,ON,Everlight and Freescale. Main products comprise IC,Modules,Potentiometer,IC Socket,Relay,Connector.Our parts cover such applications as commercial,industrial, and automotives areas.

We are looking forward to setting up business relationship with you and hope to provide you with the best service and solution. Let us make a better world for our industry!



Contact us

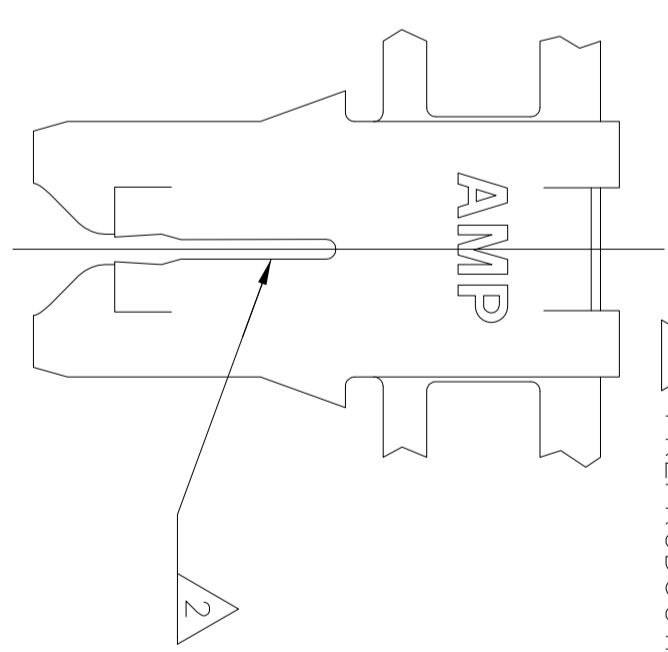
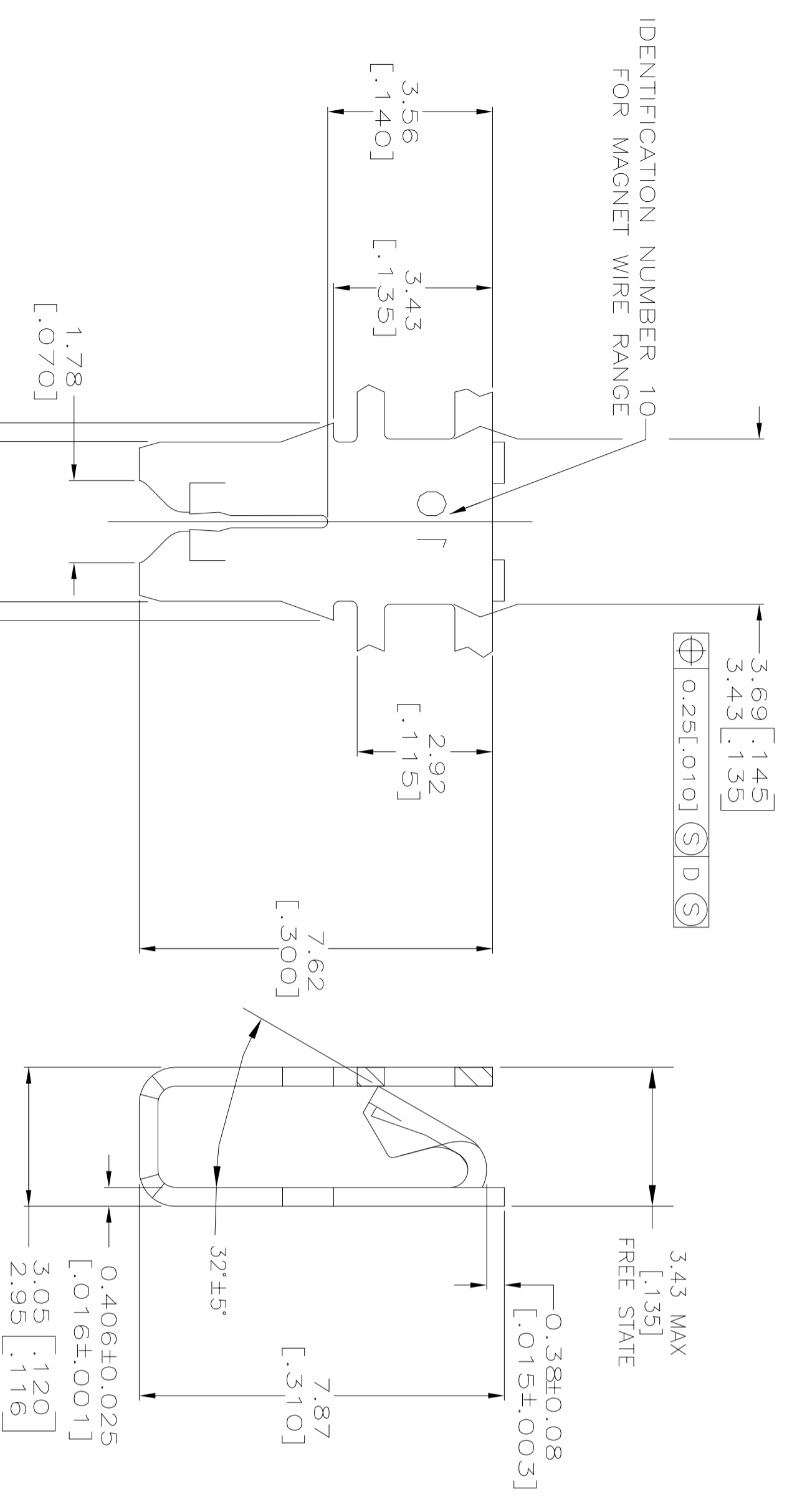
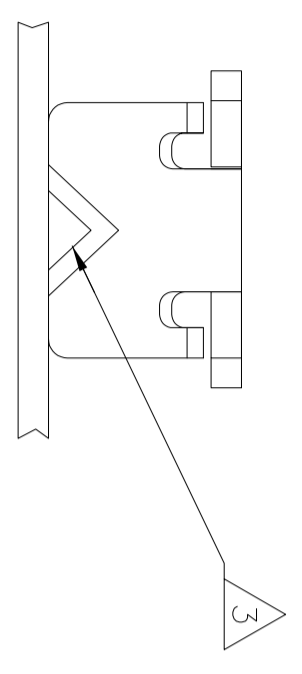
Tel: +86-755-8981 8866 Fax: +86-755-8427 6832

Email & Skype: info@chipsmall.com Web: www.chipsmall.com

Address: A1208, Overseas Decoration Building, #122 Zhenhua RD., Futian, Shenzhen, China



THIS DRAWING IS UNPUBLISHED.
 © COPYRIGHT BY TYCO ELECTRONICS CORPORATION. ALL INTERNATIONAL RIGHTS RESERVED.



- 1 CONTINUOUS STRIP ON REELS WITH TERMINALS LOCATED ON 5.59±0.08 [.220±.003] CENTERS.
- 2 SLOT ACCEPTS EITHER A SINGLE OR DOUBLE MAGNET WIRE OF THE SAME SIZE AND TYPE. COPPER RANGE 0.36-0.57mm [#27-#23 AWG].
- 3 POKE-IN ACCEPTS A 0.50-0.90mm² [#20-#18] AWG SOLID OR FUSED STRANDED LEAD WIRE.
- 4 SPECIAL REEL QUANTITY - AMP SPAIN PRODUCTION ONLY.
- 5 PRELIMINARY - NOT FOR PRODUCTION.
- 6 FOREIGN PRODUCTION ONLY.
- 7 PREPRODUCTION - FASR REQUIRED.

STANDARD	WELD SPLICE	WITH PAPER	WITH PAPER	FINISH	PART NUMBER
STANDARD	WELD SPLICE	WITHOUT PAPER	WITH PAPER	0.002032[.000080]	4M BRASS 1-62935-3
STANDARD	WELD SPLICE	WITHOUT PAPER	WITH PAPER	0.002032[.000080]	4M BRASS 1-62935-1
OBSOLETE	PAPER SPLICE	WITHOUT PAPER	WITH PAPER	0.002032[.000080]	R6205-CU-NI-SI 62935-9
OBSOLETE	PAPER SPLICE	WITHOUT PAPER	WITH PAPER	0.002032[.000080]	4M BRASS 62935-8
STANDARD	SPLICE FREE	WITH PAPER	WITH PAPER	0.002032[.000080]	4M BRASS 62935-7
OBSOLETE	WELD SPLICE	WITHOUT PAPER	WITHOUT PAPER	0.002032[.000080]	4M BRASS 62935-6
STANDARD	WELD SPLICE	WITHOUT PAPER	WITHOUT PAPER	0.002032[.000080]	4M BRASS 62935-5
STANDARD	SPLICE FREE	PLASTIC REEL W/O PAPER	WITH PAPER	0.002032[.000080]	4M BRASS 62935-4
STANDARD	WELD SPLICE	WITH PAPER	WITH PAPER	0.002032[.000080]	4M BRASS 62935-3
STANDARD	WELD SPLICE	PLASTIC REEL W/ PAPER	WITHOUT PAPER	NONE	4M BRASS 62935-2
STANDARD	WELD SPLICE	WITHOUT PAPER	WITHOUT PAPER	0.002032[.000080]	4M BRASS 62935-1
REELING DIRECTION	SPLICE	REELING	FINISH		MATERIAL PART NUMBER

THIS DRAWING IS A CONTROLLED DOCUMENT.

DMN: MICHAEL S. FEHNER 15MAR2004
 CHK: KURT A. RANDOLPH 15MAR2004
 APD: KURT A. RANDOLPH 15MAR2004

TYCO Electronics
 Tyco Electronics Corporation
 Harrisburg, PA 17105-3608

DIMENSIONS: INCHES
 TOLERANCES UNLESS OTHERWISE SPECIFIED:
 0 PIC ± .010
 1 PIC ± .025 [0.010]
 2 PIC ± .025 [0.010]
 3 PIC ± .025 [0.010]
 4 PIC ± .025 [0.010]

FINISH: 0 PIC ± .010
 1 PIC ± .025 [0.010]
 2 PIC ± .025 [0.010]
 3 PIC ± .025 [0.010]
 4 PIC ± .025 [0.010]

APPLIC. SPEC: 108-2012
 114-2046

WEIGHT: 114-2046

CUSTOMER DRAWING: A2 00779 C=62935

SCALE: 10:1 SHEET: 1 of 1 REV: AH6