



Chipsmall Limited consists of a professional team with an average of over 10 year of expertise in the distribution of electronic components. Based in Hongkong, we have already established firm and mutual-benefit business relationships with customers from,Europe,America and south Asia,supplying obsolete and hard-to-find components to meet their specific needs.

With the principle of “Quality Parts,Customers Priority,Honest Operation,and Considerate Service”,our business mainly focus on the distribution of electronic components. Line cards we deal with include Microchip,ALPS,ROHM,Xilinx,Pulse,ON,Everlight and Freescale. Main products comprise IC,Modules,Potentiometer,IC Socket,Relay,Connector.Our parts cover such applications as commercial,industrial, and automotives areas.

We are looking forward to setting up business relationship with you and hope to provide you with the best service and solution. Let us make a better world for our industry!



Contact us

Tel: +86-755-8981 8866 Fax: +86-755-8427 6832

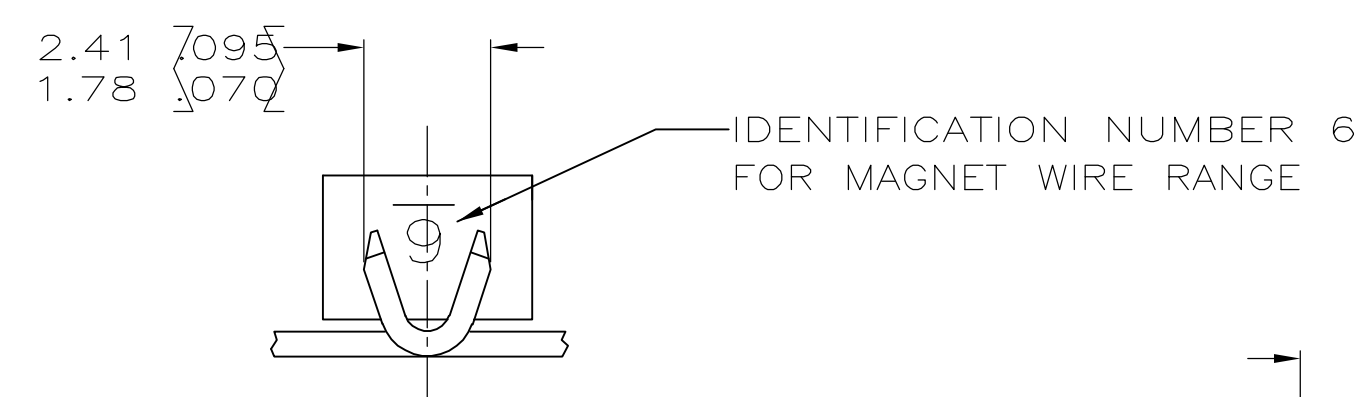
Email & Skype: info@chipsmall.com Web: www.chipsmall.com

Address: A1208, Overseas Decoration Building, #122 Zhenhua RD., Futian, Shenzhen, China

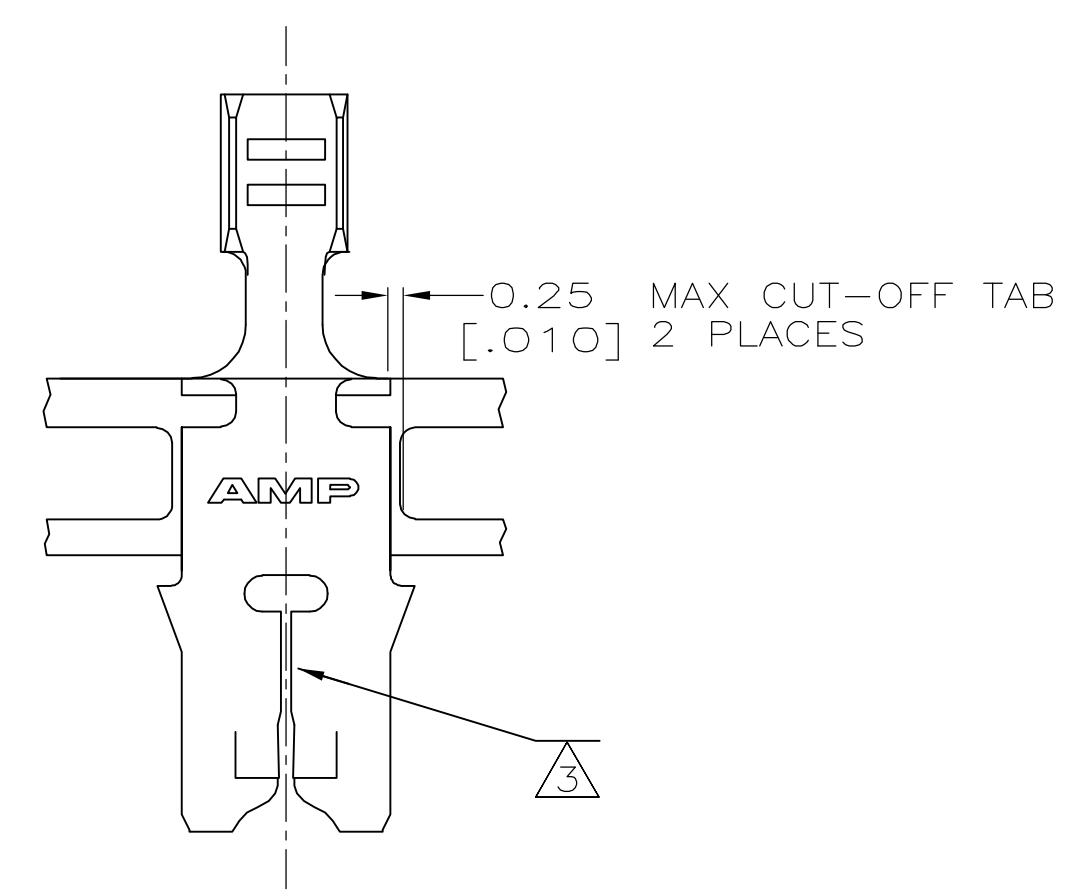
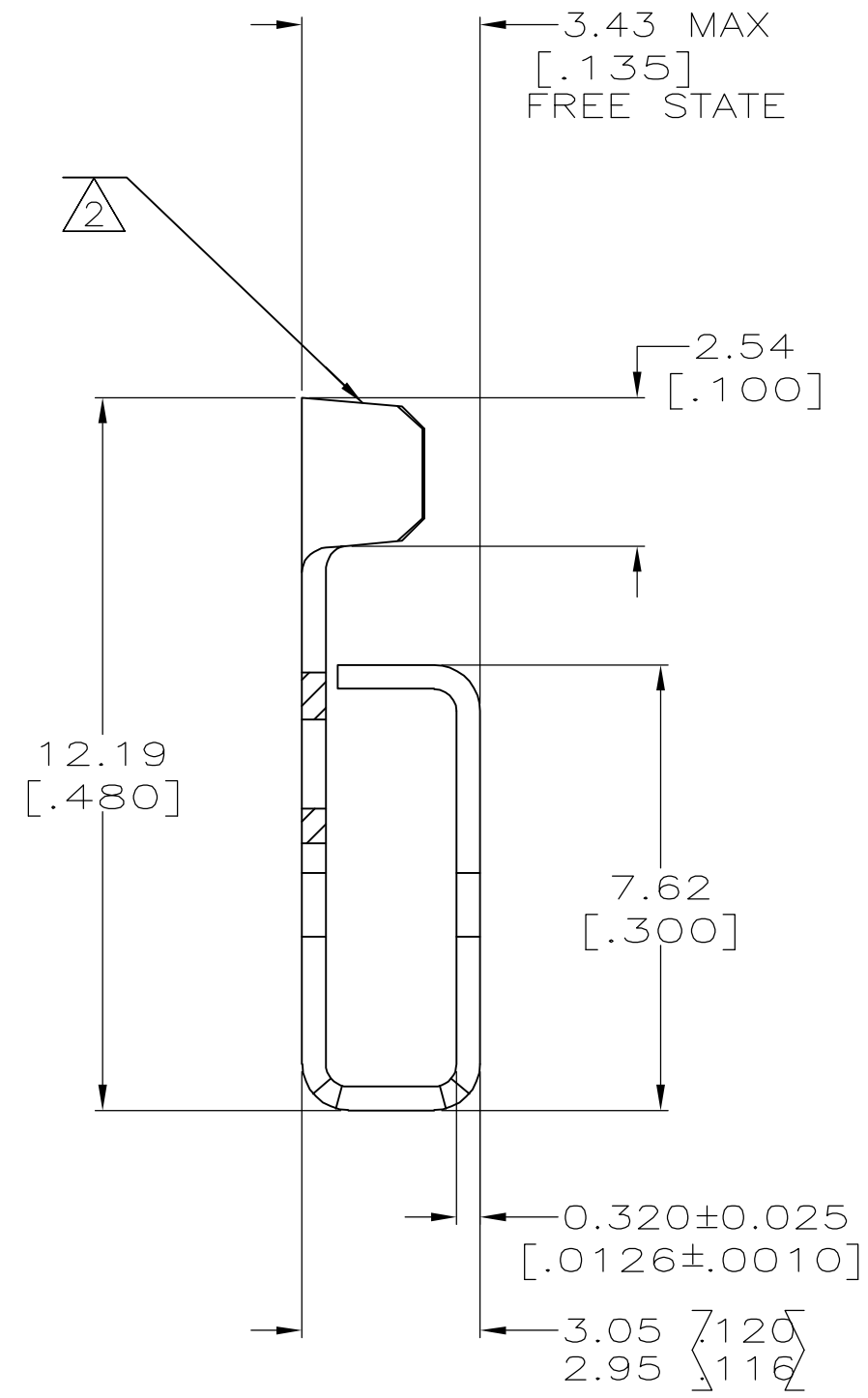
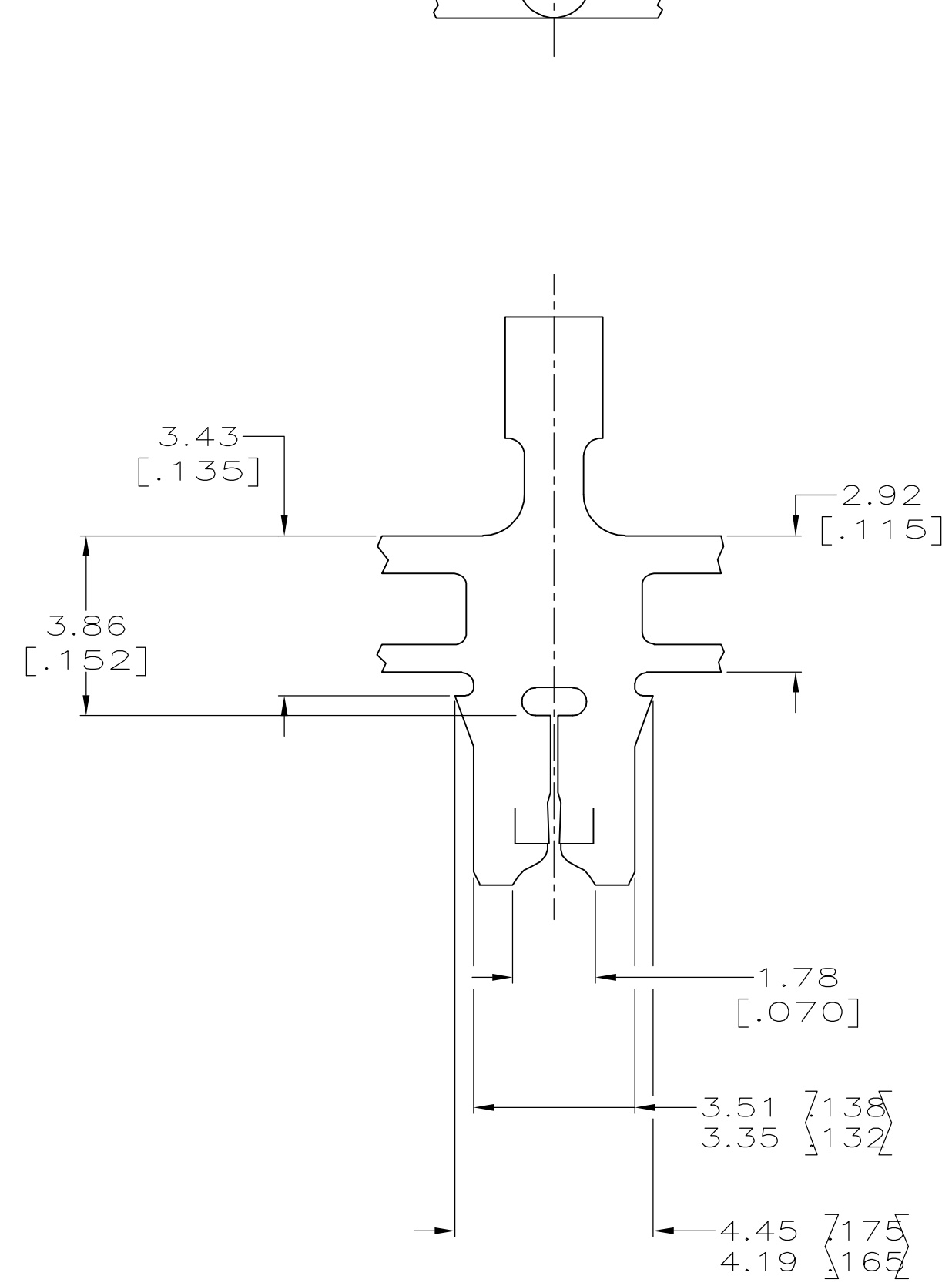


THIS DRAWING IS UNPUBLISHED. RELEASED FOR PUBLICATION .19
 © COPYRIGHT 19 BY AMP INCORPORATED. ALL RIGHTS RESERVED.

| LOC | | DIST | | REVISIONS | | | |
|-----|-----|-------------|---------|--------------|-----------|------|----|
| P | LTR | DESCRIPTION | | DATE | DWN | APVD | |
| AF | 50 | C | REV PER | OG3A-0745-04 | 08OCT2004 | RF | KR |



- 1 CONTINUOUS STRIP ON REELS WITH TERMINALS LOCATED ON 5.59±0.08 [.220±.003] CENTERS.
- 2 BARREL TO ACCEPT 0.2-0.6mm² [#24-20] LEAD WIRE.
- 3 SLOT TERMINATES A SINGLE OR DOUBLE MAGNET WIRE OF THE SAME SIZE AND TYPE.
COPPER RANGE: 0.25-0.36mm [#30-#27] AWG.



62992-1
PART NUMBER

| | | | | |
|--|--|--|--|--------------------|
| THIS DRAWING IS A CONTROLLED DOCUMENT. | | DWN SCOTT URICH 29JUL1998 | AMP Incorporated Harrisburg, PA 17105-3608 | |
| DIMENSIONS: mm[INCHES] | | CHK MICHAEL S. FEHER 20FEB1999 | NAME KURT A. RANDOLPH 22FEB1999 | |
| TOLERANCES UNLESS OTHERWISE SPECIFIED: 0 PLC ±- 1 PLC ±- 2 PLC ±- 3 PLC ±0.25[.010] 4 PLC ±- ANGLES ±- | | APVD KURT A. RANDOLPH 22FEB1999 | PRODUCT SPEC 108-2012 APPLICATION SPEC 114-2046 | |
| MATERIAL H04 BRASS | | FINISH 0.002032[.000080] MIN TIN | WEIGHT - | RESTRICTED TO - |
| CUSTOMER DRAWING | | SCALE 8:1 | SHEET 1 OF 1 | REV C |