



Chipsmall Limited consists of a professional team with an average of over 10 year of expertise in the distribution of electronic components. Based in Hongkong, we have already established firm and mutual-benefit business relationships with customers from,Europe,America and south Asia,supplying obsolete and hard-to-find components to meet their specific needs.

With the principle of “Quality Parts,Customers Priority,Honest Operation,and Considerate Service”,our business mainly focus on the distribution of electronic components. Line cards we deal with include Microchip,ALPS,ROHM,Xilinx,Pulse,ON,Everlight and Freescale. Main products comprise IC,Modules,Potentiometer,IC Socket,Relay,Connector.Our parts cover such applications as commercial,industrial, and automotives areas.

We are looking forward to setting up business relationship with you and hope to provide you with the best service and solution. Let us make a better world for our industry!



Contact us

Tel: +86-755-8981 8866 Fax: +86-755-8427 6832

Email & Skype: info@chipsmall.com Web: www.chipsmall.com

Address: A1208, Overseas Decoration Building, #122 Zhenhua RD., Futian, Shenzhen, China



Optical Encoders

Series 62P Low Cost, PC Mount



FEATURES

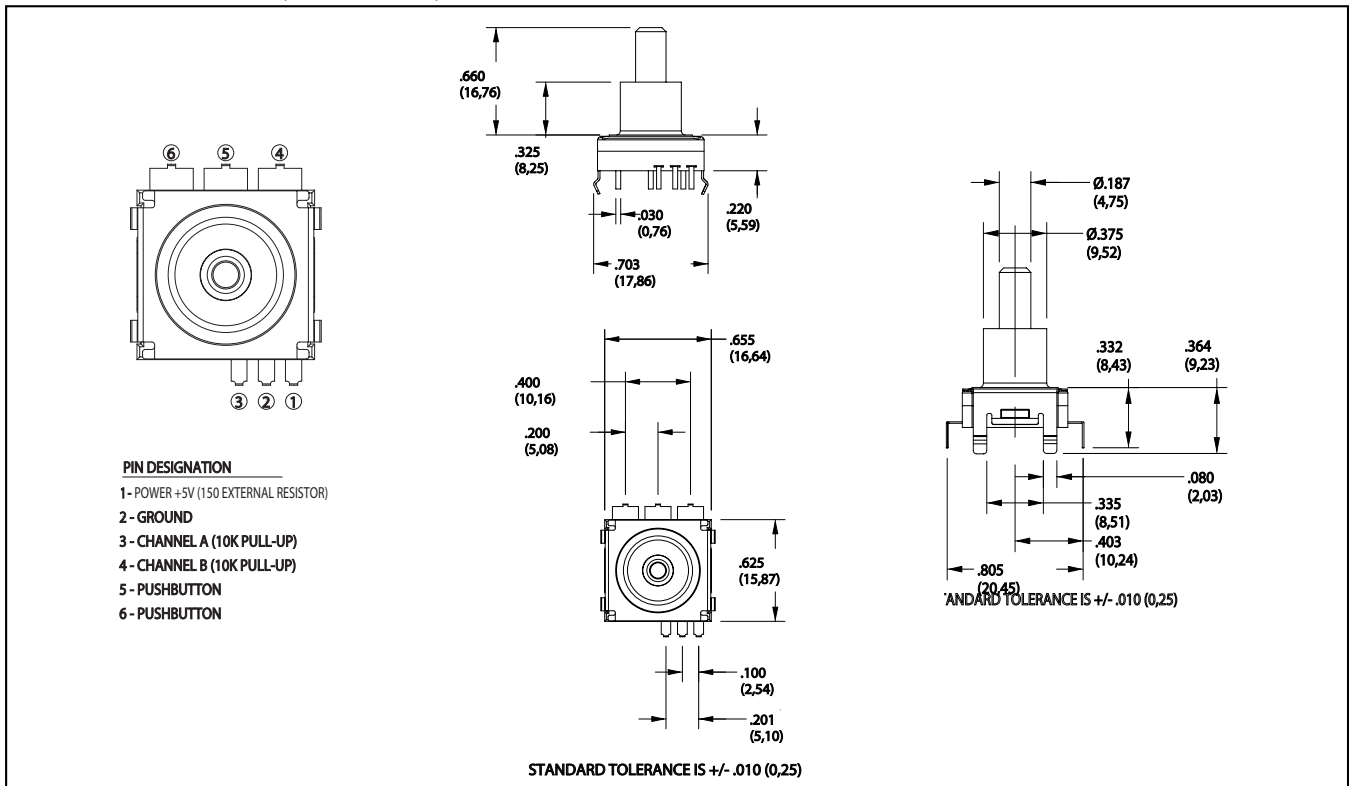
- Low Cost
- Compact Size
- PC Mount
- No De-Bouncing Required
- Reliable, Up to 2 Million Cycles
- Choice of Detent and Pushbutton Force
- Available in 16 Positions
- Quadrature Output

APPLICATIONS

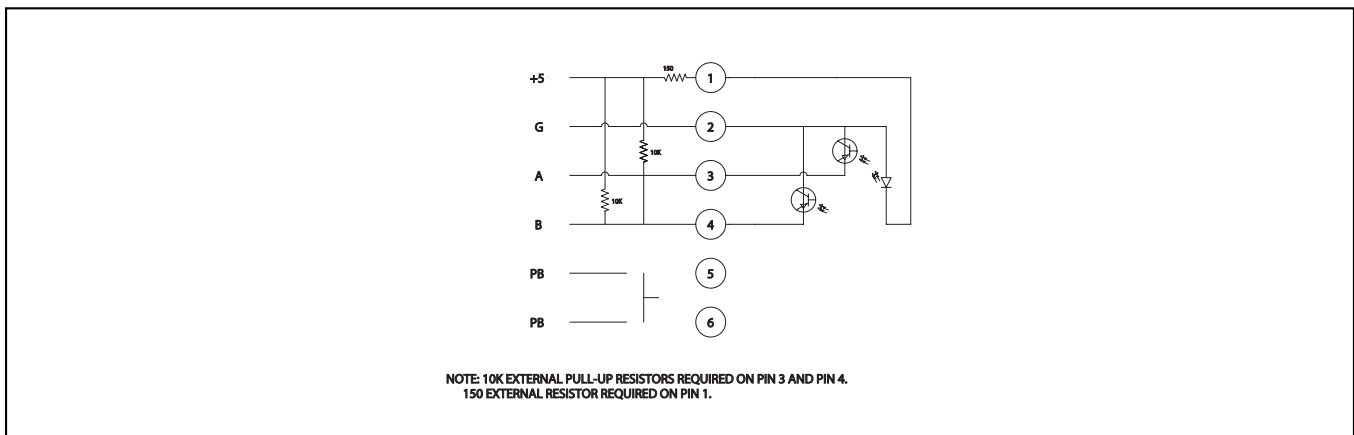
- Automotive Controls
- White Goods
- Audio



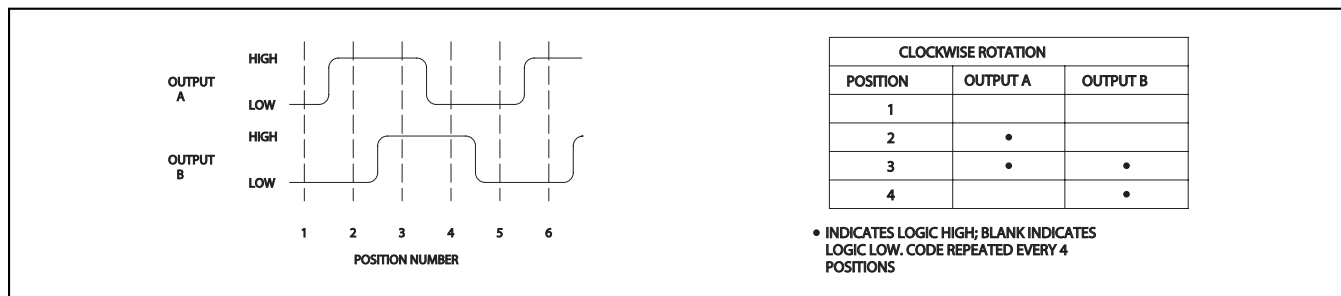
DIMENSIONS In inches (and millimeters)



CIRCUITRY AND JOYSTICK OPERATION Standard Quadrature 2-Bit Code



WAVEFORM AND TRUTH TABLE Standard Quadrature 2-Bit Code



SPECIFICATIONS

Electrical Ratings

Operating Voltage: 5 Vdc +/- .25 Vdc
Supply Current: 30mA maximum at 5 Vdc
Logic High: 3.0V minimum
Logic Low: 1.0V maximum
Logic Rise and Fall: less than 30 Ms

Pushbutton Switch Ratings

Rating: 5.0 Vdc at 10mA resistive
Contact Resistance: less than 10 ohms (TTL or CMOS compatible)
Voltage Breakdown: 250 Vac between mutually insulated parts
Contact Bounce: less than 4 mS at make and less than 10 mS at break
Actuation Life: 3,000,000 operations
Actuation Force: 6: 600 +/- 200 grams
 4: 450 +/- 150 grams

Mechanical Ratings

Operating Torque:
 H: 1.4 in-oz +/- 0.6 in-oz initial
 L: 0.6 in-oz +/- 0.3 in-oz initial
Rotational Life:
 H&L: 500,000 cycles
 N: 2 million cycles
 (1 cycle = 360 degree rotation and return)
Shaft Push Out Force: 20 lbs minimum
Operating Speed: 100 RPM maximum
Axial Shaft Play: .010 maximum

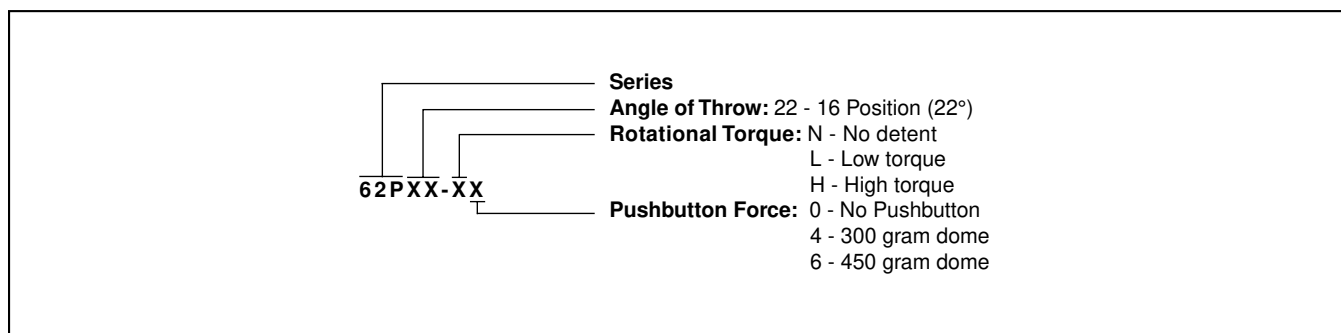
Environmental Ratings

Operating Temperature Range: -40°C to 85°C
Storage Temperature Range: -55°C to 100°C
Relative Humidity: 90-95% at 40°C for 96 hours
Vibration Resistance: Harmonic motion with Amplitude of 15g, within a varied 10 to 2000 Hz frequency for 12 hours per MIL-STD-202, Method 204
Shock Resistance:
 Test 1: Tested at 100g for 6mS, half sine, 12.3 ft/s.
 Test 2: 100g for 6mS, Sawtooth, 9.7 ft/s

Materials and Finishes

Code/Pushbutton Housing: Thermoplastic
Shaft: Thermoplastic
Code/Detent Rotor: Reinforced Thermoplastic
Bushing: Thermoplastic
Terminal Pins: Brass, Tin plated
Detent Spring: Stainless Steel
Dome: Stainless Steel
Pushbutton Contact: Nickel plated brass
Phototransistor: Planar Silicon
Detent Balls: .0625 dia. Stainless Steel
Infrared Emitter: Gallium Aluminum Arsenide
Label: White Thermal Transfer Cast Film. Adhesive Coated
Bracket: Stainless Steel, Tin plated

ORDERING INFORMATION



Available from your local Grayhill Component Distributor. For prices and discounts, contact a local Sales Office, an authorized local Distributor, or Grayhill.