



Chipsmall Limited consists of a professional team with an average of over 10 year of expertise in the distribution of electronic components. Based in Hongkong, we have already established firm and mutual-benefit business relationships with customers from,Europe,America and south Asia,supplying obsolete and hard-to-find components to meet their specific needs.

With the principle of “Quality Parts,Customers Priority,Honest Operation,and Considerate Service”,our business mainly focus on the distribution of electronic components. Line cards we deal with include Microchip,ALPS,ROHM,Xilinx,Pulse,ON,Everlight and Freescale. Main products comprise IC,Modules,Potentiometer,IC Socket,Relay,Connector.Our parts cover such applications as commercial,industrial, and automotives areas.

We are looking forward to setting up business relationship with you and hope to provide you with the best service and solution. Let us make a better world for our industry!



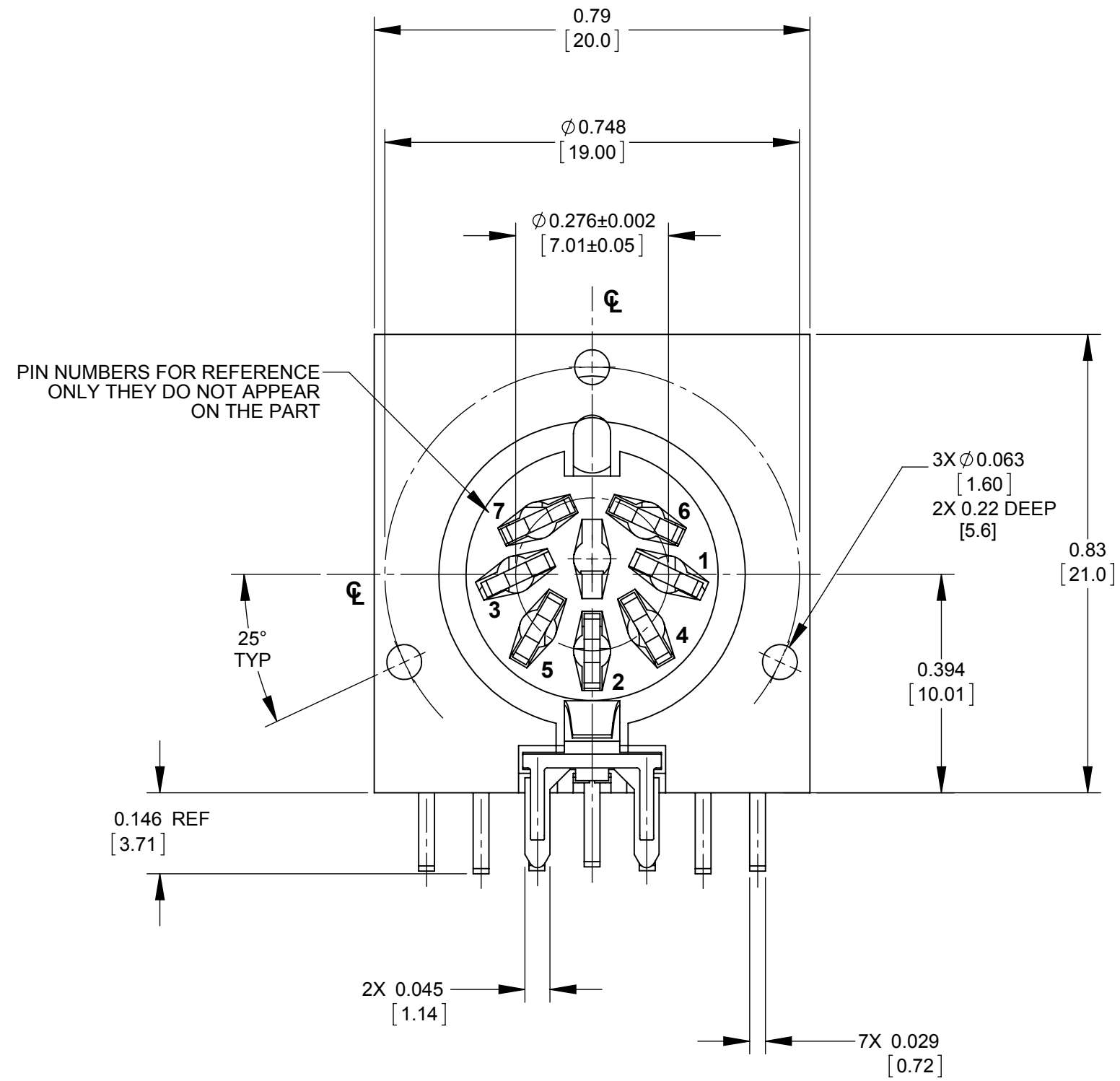
Contact us

Tel: +86-755-8981 8866 Fax: +86-755-8427 6832

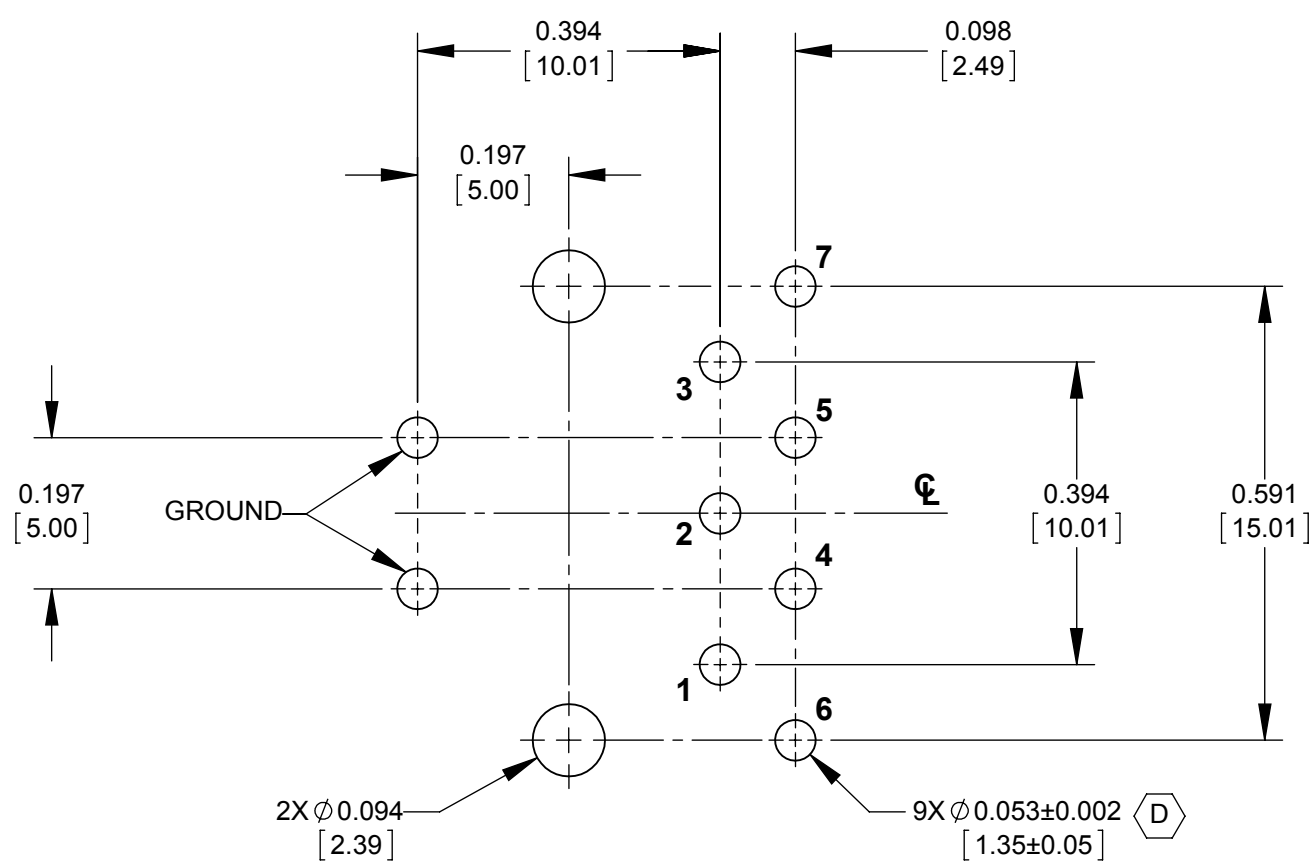
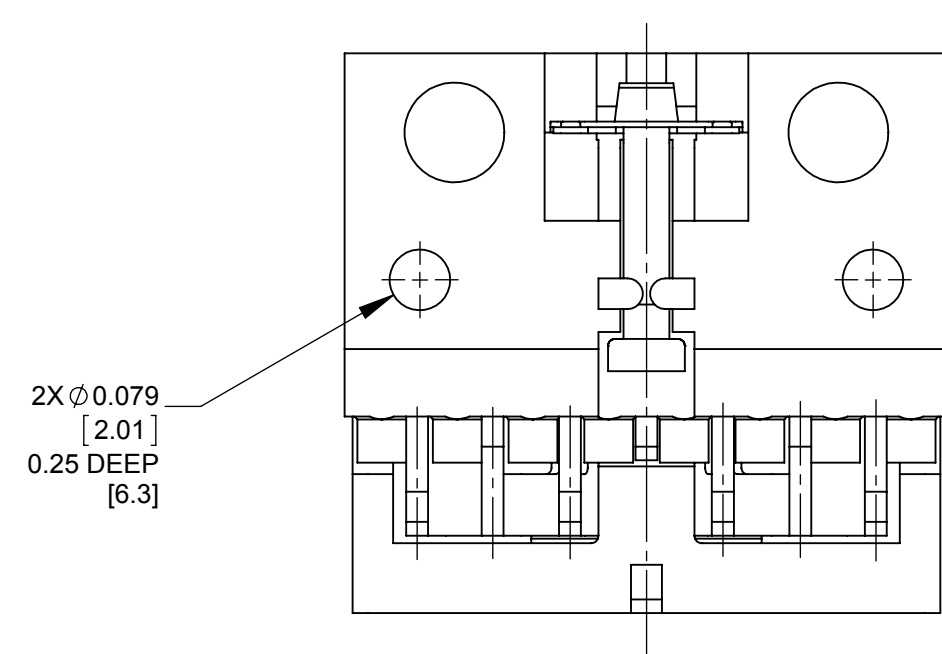
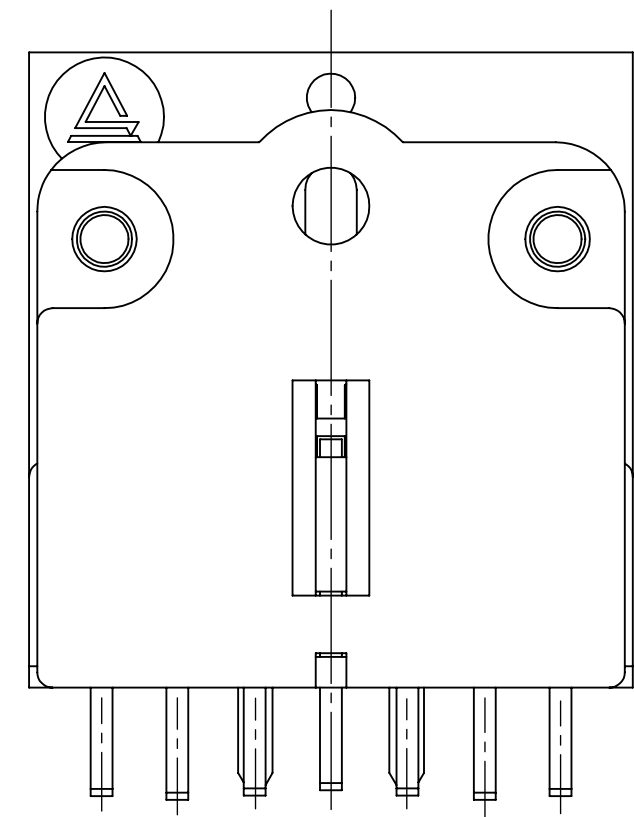
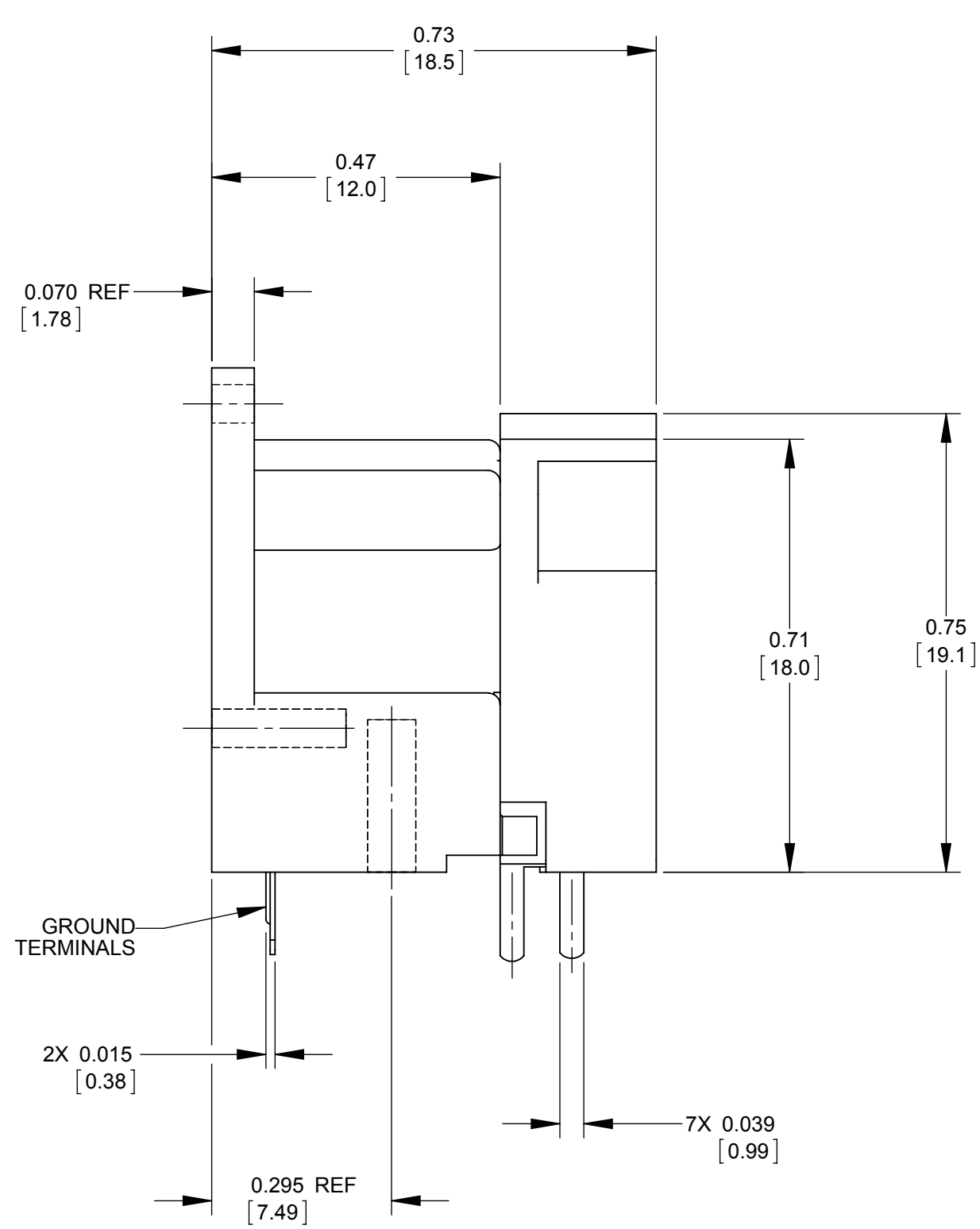
Email & Skype: info@chipsmall.com Web: www.chipsmall.com

Address: A1208, Overseas Decoration Building, #122 Zhenhua RD., Futian, Shenzhen, China

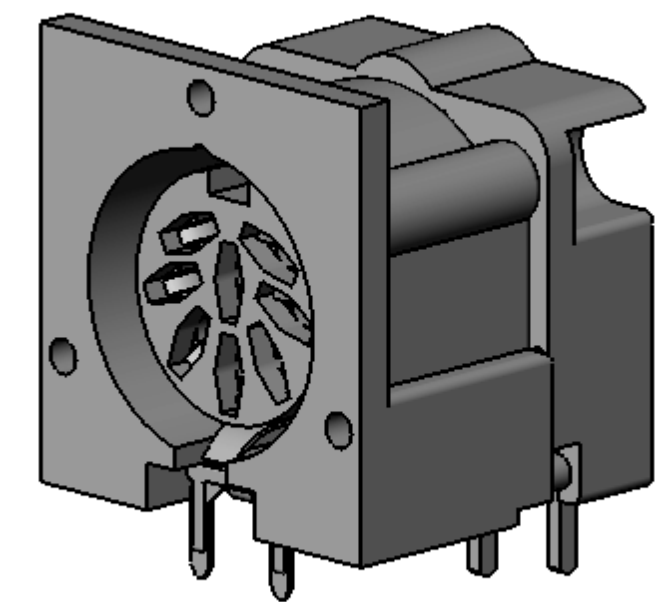




PIN NUMBERS FOR REFERENCE ONLY THEY DO NOT APPEAR ON THE PART



RECOMMENDED PC BOARD LAYOUT
COMPONENT SIDE



NOTES:

- MATERIALS:
HOUSING - THERMOPLASTIC, BLACK.
PC TERMINALS - COPPER ALLOY, TIN PLATED.
GROUND TERMINAL - SPECIAL COPPER ALLOY, TIN PLATED.
COVER - THERMOPLASTIC, BLACK.
- THIS PRODUCT IS RoHS COMPLIANT.

CUSTOMER DRAWING

UNLESS OTHERWISE SPECIFIED				THIS DRAWING DESCRIBES A DESIGN CONSIDERED PROPRIETARY IN NATURE, DEVELOPED AND MANUFACTURED BY SWITCHCRAFT INC. AND IS RELEASED ON A CONFIDENTIAL BASIS FOR IDENTIFICATION PURPOSES ONLY.				
1. ALL DIMENSIONS IN INCHES [mm]				SIZE	WIDTH	MULT	LBS/M	TEMPER
- TWO PLACE DECIMALS ±0.02 [0.5]				FINISH		MATERIAL		
- THREE PLACE DECIMALS ±0.005 [0.13]				SPEC No.		SPEC No.		
				FIRST USED ON		SCALE		
						4:1		
DATE DRAWN		BY	CHKD	APVD				
01/21/82		IC	KS	WH				
REV		ECO NUMBER	DATE	BY	APVD	SHEET 1 OF 1		REV
D		CAD REDRAW NO CHANGE - ECO #27408	11/17/14	PC	TJK	PART No.		D
REV		ECO NUMBER	DATE	BY	APVD	62PC7F		
REVISIONS					DO NOT SCALE DRAWING			