



Chipsmall Limited consists of a professional team with an average of over 10 year of expertise in the distribution of electronic components. Based in Hongkong, we have already established firm and mutual-benefit business relationships with customers from,Europe,America and south Asia,supplying obsolete and hard-to-find components to meet their specific needs.

With the principle of "Quality Parts,Customers Priority,Honest Operation,and Considerate Service",our business mainly focus on the distribution of electronic components. Line cards we deal with include Microchip,ALPS,ROHM,Xilinx,Pulse,ON,Everlight and Freescale. Main products comprise IC,Modules,Potentiometer,IC Socket,Relay,Connector.Our parts cover such applications as commercial,industrial, and automotives areas.

We are looking forward to setting up business relationship with you and hope to provide you with the best service and solution. Let us make a better world for our industry!



Contact us

Tel: +86-755-8981 8866 Fax: +86-755-8427 6832

Email & Skype: info@chipsmall.com Web: www.chipsmall.com

Address: A1208, Overseas Decoration Building, #122 Zhenhua RD., Futian, Shenzhen, China



4

3

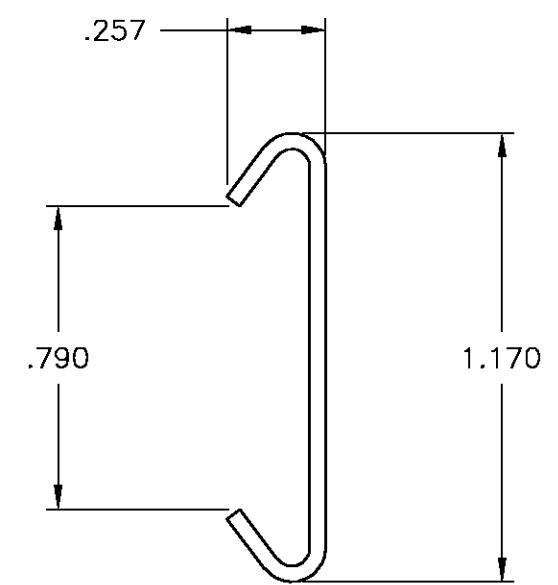
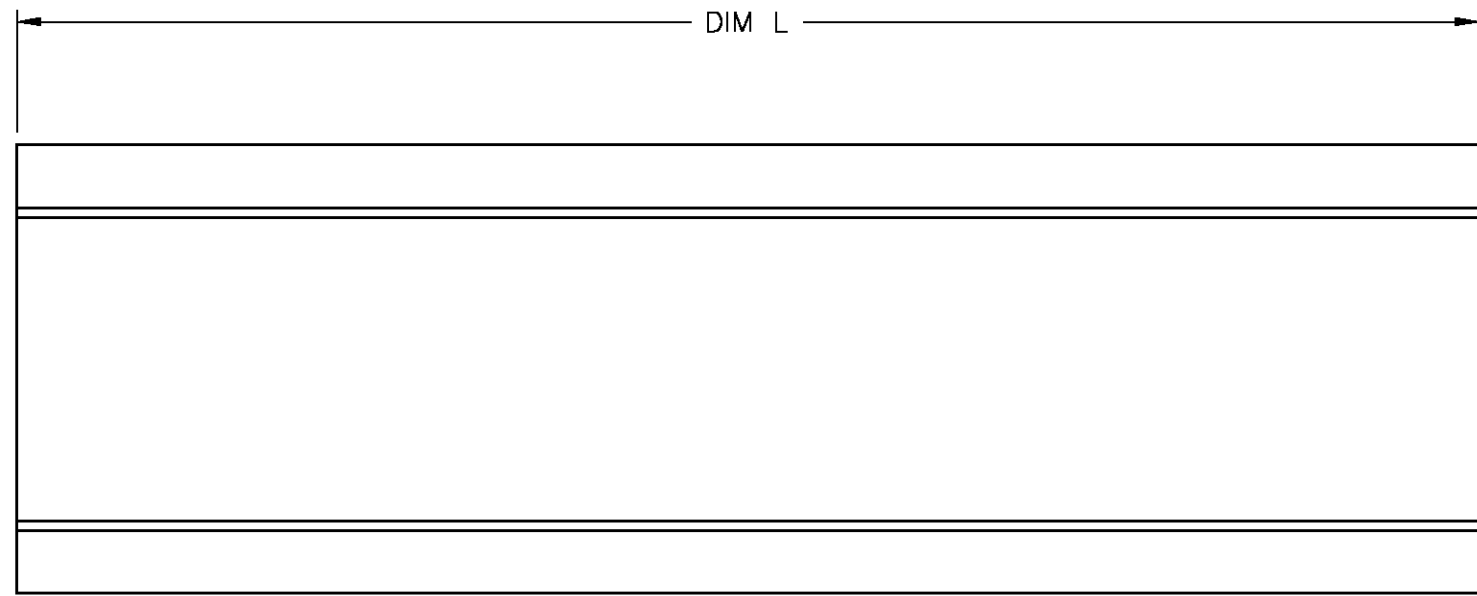
2

1

THIS DRAWING IS UNPUBLISHED. RELEASED FOR PUBLICATION
 © COPYRIGHT - BY TYCO ELECTRONICS CORPORATION. ALL RIGHTS RESERVED.

LOC	DIST	REVISIONS			
P	LTR	DESCRIPTION	DATE	DWN	APVD
	0	REVISED PER 0G3B-0532-03	6/26/03	SS	SRY

- NOTES:
- △ MATERIAL: ZINC PLATED, STEEL.
 - FOR USE WITH DOVETAIL BASE TERMINAL BLOCKS.



DIM L	DESCRIPTION	CATALOG NUMBER	PART NUMBER
36	STEEL CHANNEL, 3 FT	63-BU	9-1437381-8
72	STEEL CHANNEL, 6 FT	60	9-1437381-1

THIS DRAWING IS A CONTROLLED DOCUMENT.		DWN S SCHLEGEL 25JUN03	BUCHANAN Tyco Electronics Corporation Harrisburg, PA 17105				
DIMENSIONS: INCHES 		CHK S YODER 6/26/03					
TOLERANCES UNLESS OTHERWISE SPECIFIED: 0 PLC ± - 1 PLC ± - 2 PLC ± - 3 PLC ± - 4 PLC ± - ANGLES ± -		APVD S YODER 6/26/03	NAME CHANNEL FOR SECTIONAL BLOCKS WITH DOVETAIL				
MATERIAL - △		PRODUCT SPEC -	SIZE A3	CAGE CODE 00779	DRAWING NO C-9-1437381-1	RESTRICTED TO -	
FINISH - △		APPLICATION SPEC -	CUSTOMER DRAWING		SCALE 2:1	SHEET 1 OF 1	REV 0