



Chipsmall Limited consists of a professional team with an average of over 10 year of expertise in the distribution of electronic components. Based in Hongkong, we have already established firm and mutual-benefit business relationships with customers from,Europe,America and south Asia,supplying obsolete and hard-to-find components to meet their specific needs.

With the principle of “Quality Parts,Customers Priority,Honest Operation,and Considerate Service”,our business mainly focus on the distribution of electronic components. Line cards we deal with include Microchip,ALPS,ROHM,Xilinx,Pulse,ON,Everlight and Freescale. Main products comprise IC,Modules,Potentiometer,IC Socket,Relay,Connector.Our parts cover such applications as commercial,industrial, and automotives areas.

We are looking forward to setting up business relationship with you and hope to provide you with the best service and solution. Let us make a better world for our industry!



## Contact us

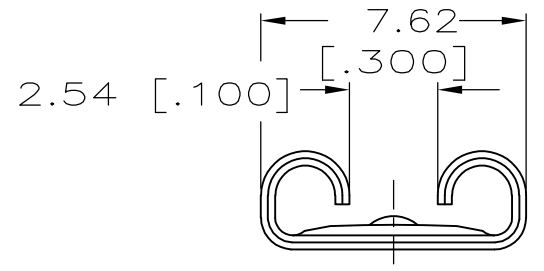
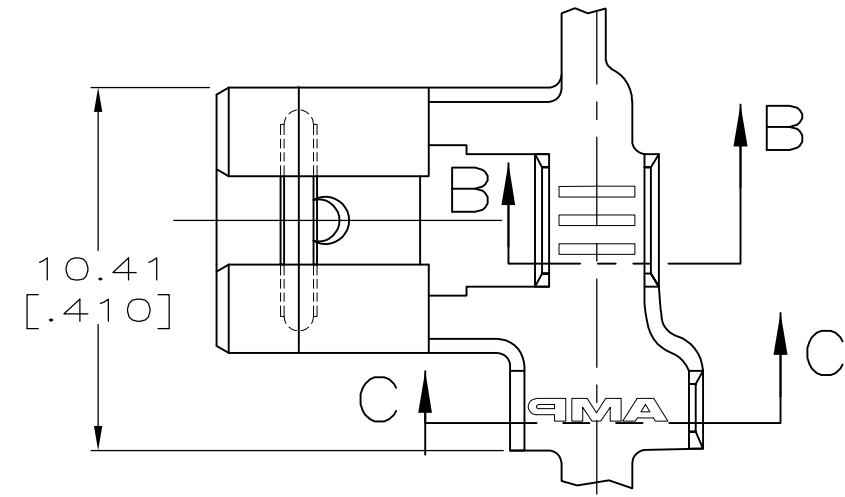
Tel: +86-755-8981 8866 Fax: +86-755-8427 6832

Email & Skype: info@chipsmall.com Web: www.chipsmall.com

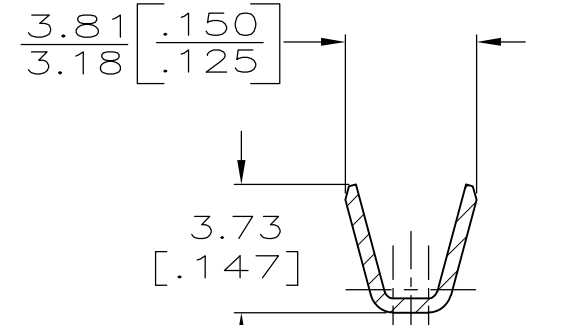
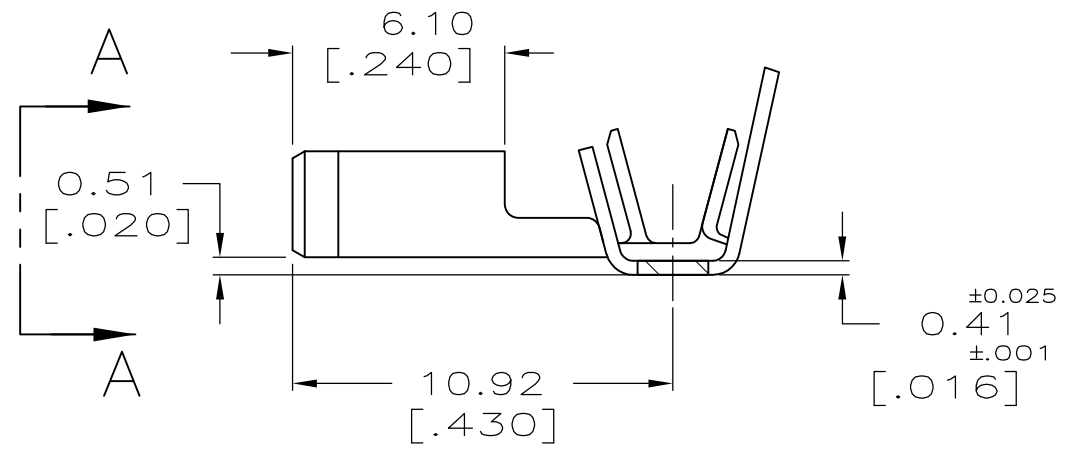
Address: A1208, Overseas Decoration Building, #122 Zhenhua RD., Futian, Shenzhen, China



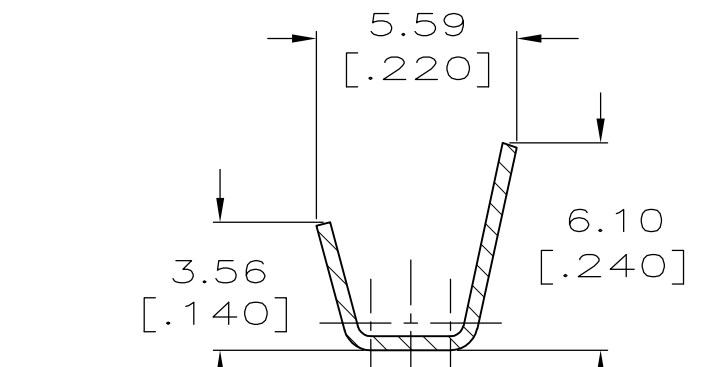
LOC	DIST	REVISIONS					
AF	50	P	LTR	DESCRIPTION	DATE	DWN	APVD
		J		REVISED PER ECR-12-013518	23NOV12	KH	PD



VIEW A-A



SECTION B-B



SECTION C-C

- 1 CONTINUOUS STRIP ON REELS.
- 2 MATING TAB THK IS 0.81±0.025 [.032±.001]
- 3 WIRE SIZE IS [#18-#14] AWG.
- 4 INSULATION RANGE IS 2.79-4.06 [.110-.160] DIA.
- △5 0.00381 [.000150] MIN TIN OVER 0.00254 [.000100] MIN COPPER.
- △6 PRELIMINARY - NOT FOR PRODUCTION

TIN OVER COPPER	△5	△6	63009-3
TIN			63009-2
-			63009-1
FINISH			PART NO

THIS DRAWING IS A CONTROLLED DOCUMENT.		DWN	JR RUTH	4/9/91	<b>STE</b> TE Connectivity										
DIMENSIONS: mm [INCHES]		CHK	MS FEHER	4/9/91											
TOLERANCES UNLESS OTHERWISE SPECIFIED:		APVD	C MEYERS	4/9/91											
<table border="0"> <tr><td>0 PLC</td><td>± -</td></tr> <tr><td>1 PLC</td><td>± -</td></tr> <tr><td>2 PLC</td><td>± -</td></tr> <tr><td>3 PLC</td><td>± 0.38 [.015]</td></tr> <tr><td>4 PLC ANGLES</td><td>± -</td></tr> </table>		0 PLC	± -	1 PLC		± -	2 PLC	± -	3 PLC	± 0.38 [.015]	4 PLC ANGLES	± -	PRODUCT SPEC	-	NAME
0 PLC	± -														
1 PLC	± -														
2 PLC	± -														
3 PLC	± 0.38 [.015]														
4 PLC ANGLES	± -														
MATERIAL	BRASS	FINISH	SEE TABLE	WEIGHT	-										
		CUSTOMER DRAWING		SIZE	A3										
				CAGE CODE	00779										
				DRAWING NO	C-63009										
				RESTRICTED TO	-										
				SCALE	5:1										
				SHEET	1 OF 1										
				REV	J										