



Chipsmall Limited consists of a professional team with an average of over 10 year of expertise in the distribution of electronic components. Based in Hongkong, we have already established firm and mutual-benefit business relationships with customers from,Europe,America and south Asia,supplying obsolete and hard-to-find components to meet their specific needs.

With the principle of “Quality Parts,Customers Priority,Honest Operation,and Considerate Service”,our business mainly focus on the distribution of electronic components. Line cards we deal with include Microchip,ALPS,ROHM,Xilinx,Pulse,ON,Everlight and Freescale. Main products comprise IC,Modules,Potentiometer,IC Socket,Relay,Connector.Our parts cover such applications as commercial,industrial, and automotives areas.

We are looking forward to setting up business relationship with you and hope to provide you with the best service and solution. Let us make a better world for our industry!



## Contact us

Tel: +86-755-8981 8866 Fax: +86-755-8427 6832

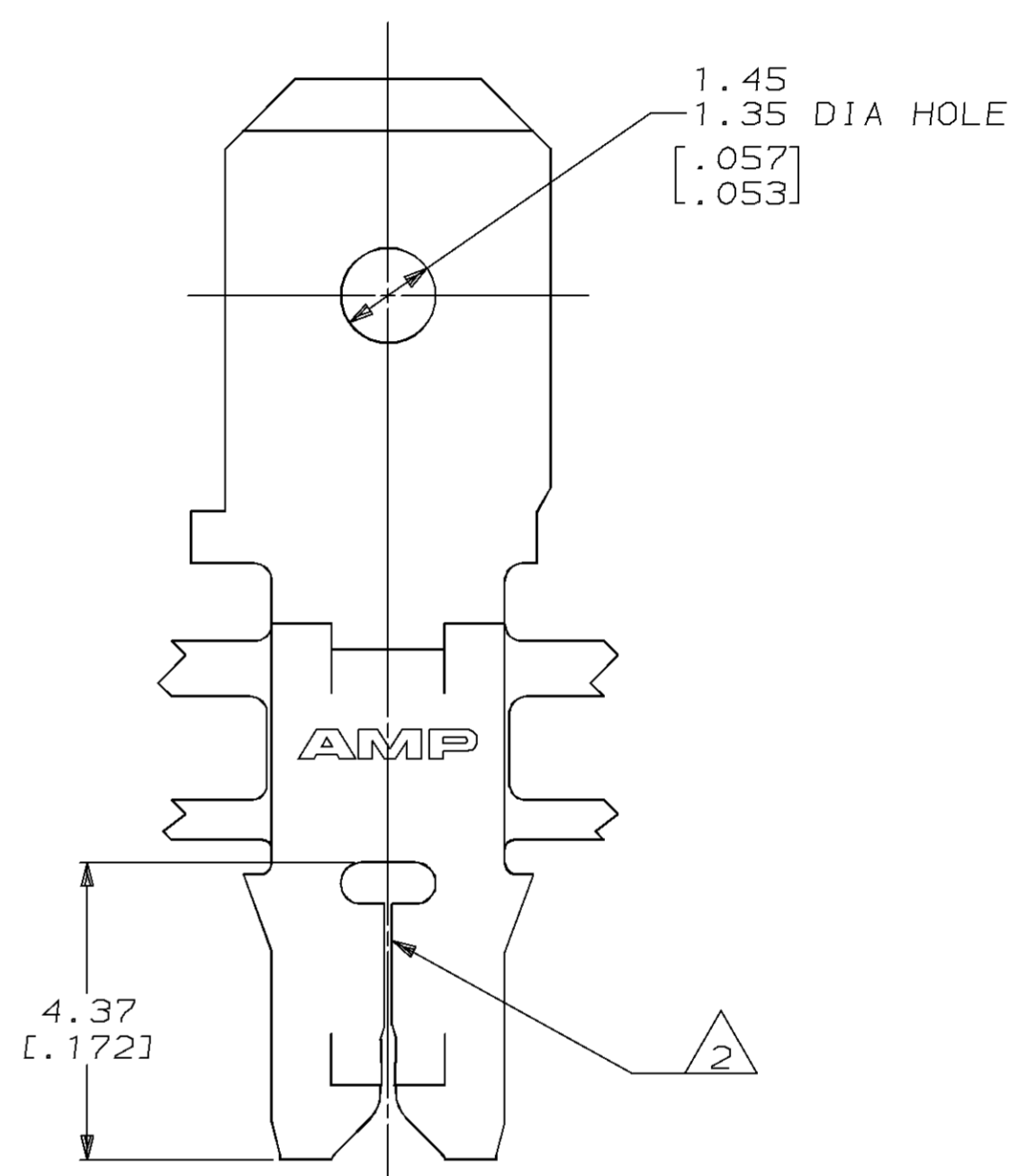
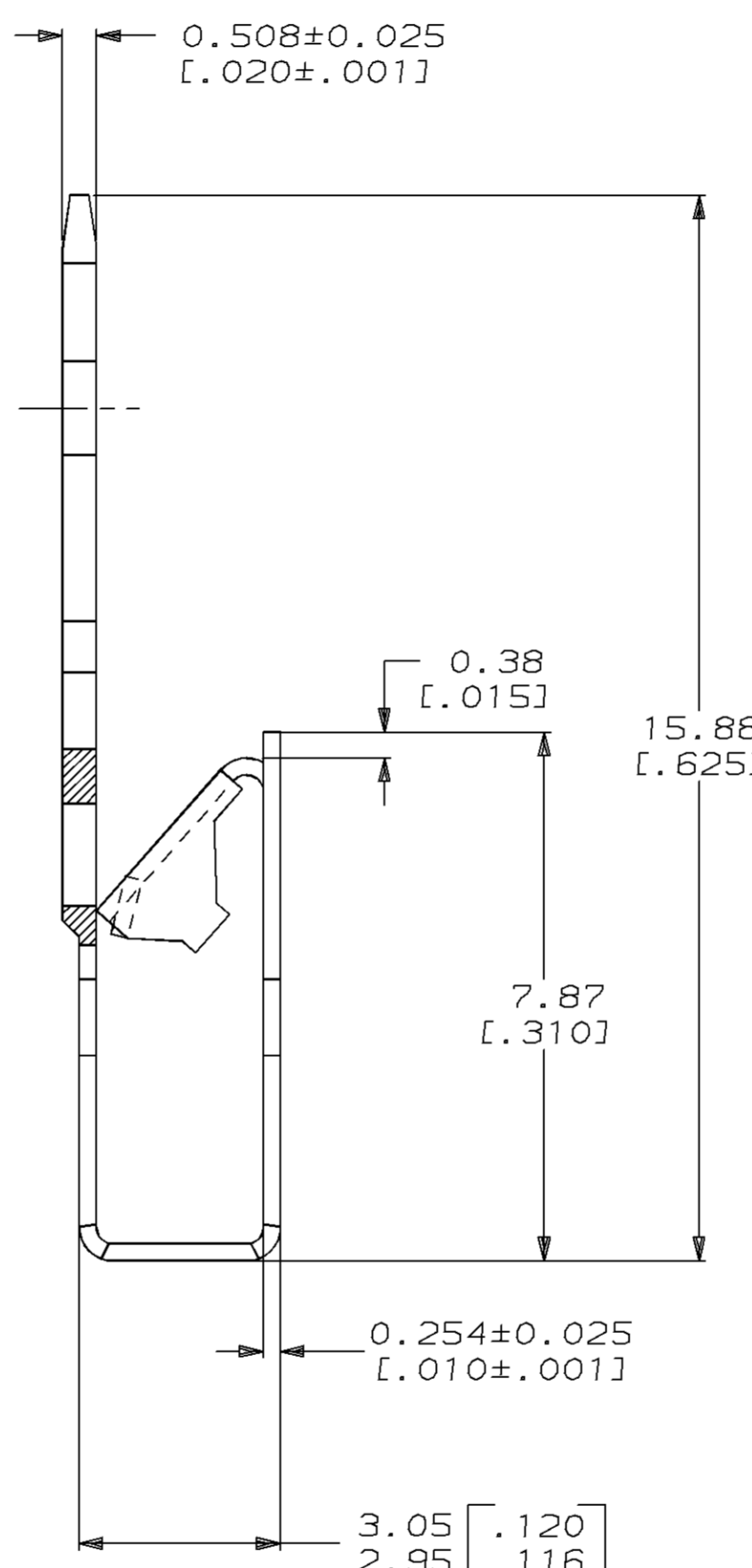
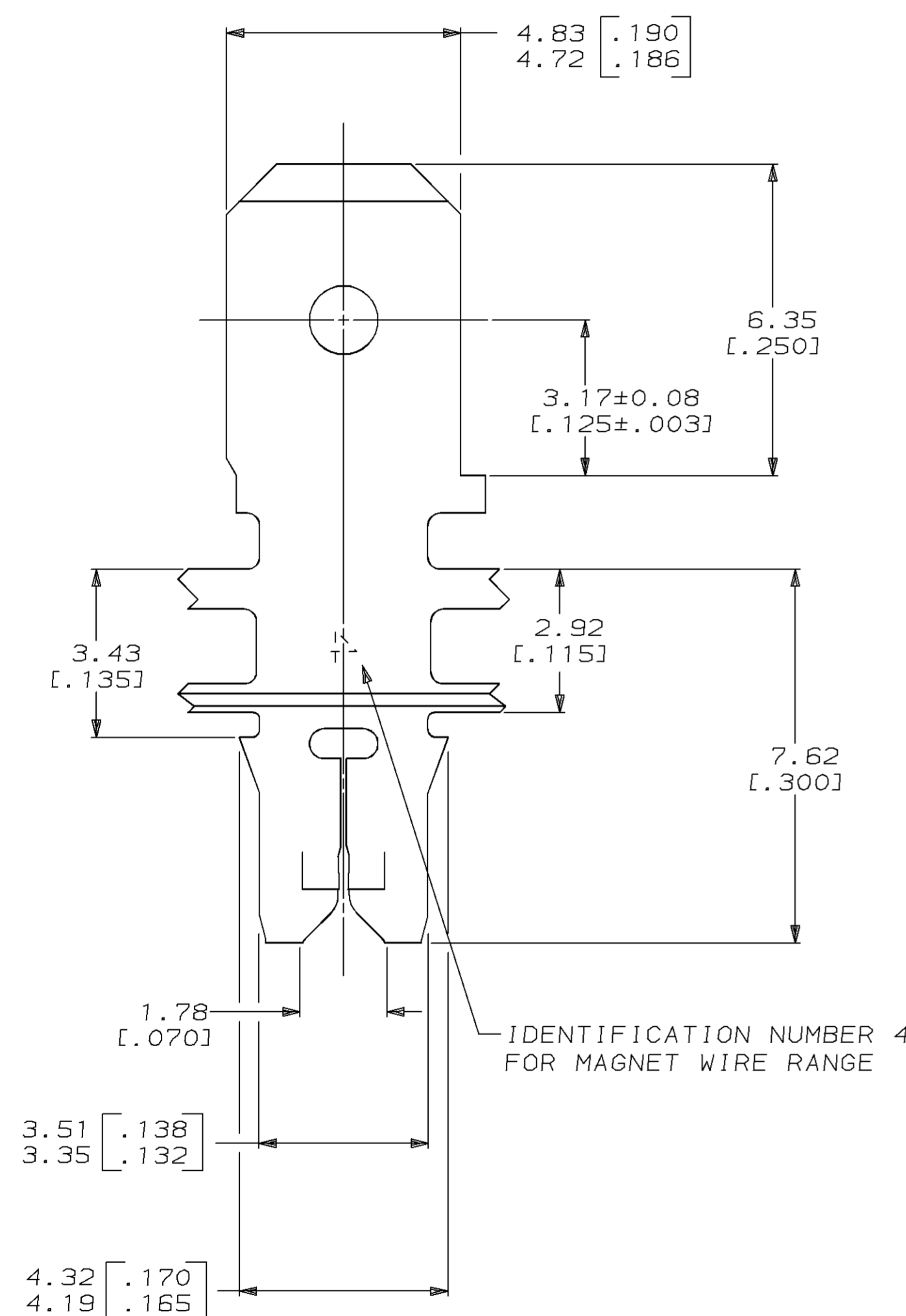
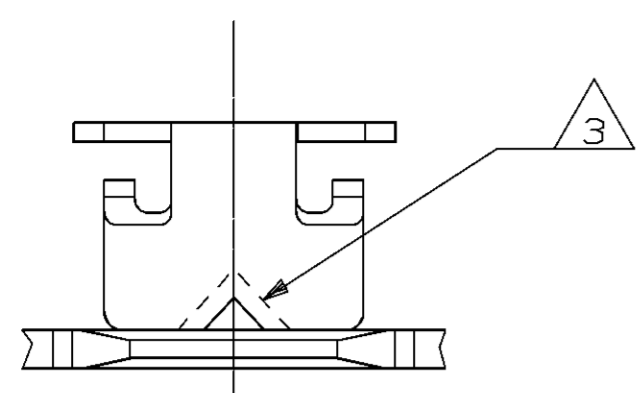
Email & Skype: info@chipsmall.com Web: www.chipsmall.com

Address: A1208, Overseas Decoration Building, #122 Zhenhua RD., Futian, Shenzhen, China



LOC		DIST		ZONE		LTR		REVISIONS		DATE	APPD
AF	50	P	F			F		REVISED PER 0710-0453-95	20/OCT/95	MF/NN	

- 1 CONTINUOUS STRIP ON REELS WITH TERMINALS LOCATED ON 5.59±0.08 [.220±.003] CENTERS.
- 2 SLOT ACCEPTS A SINGLE WIRE MAX OF 0.18-0.23mm [#33-#31] AWG COPPER MAGNET WIRE.
- 3 POKE-IN ACCEPTS A 0.5-0.8mm<sup>2</sup> [#20-#18] AWG SOLID OR FUSED STRANDED LEAD WIRE.
- 4 AFTER INSERTION INTO PLASTIC HOLDER TAB PORTION MUST BE BENT OVER 45° TO 90° OR POTTED-IN TO PREVENT PULL-OUT WHEN MATING RECEPTACLE IS DISCONNECTED.



63018-1  
PART NO

DO NOT SCALE PRINT. UNLESS SPECIFIED DIMENSIONS IN mm [INCHES] TOLERANCES ON: 2 PLC DEC ± 0.25 [.010] 3 PLC DEC ± - ANGLES ± -	DR 4-12-94 RAYMOND R. BUCHHEISTER JR.	AMP Incorporated Harrisburg, PA 17105-3608	
	CHK 4-22-94 MICHAEL S. FEHER		
MATERIAL 4M PRE-MILLED BRASS	APPD 4-27-94 NELSON E. NEFF	TERMINAL, TAB, POKE-IN/4.75 [.187] FASTON™, COMBINATION, MAG-MATE™	
FINISH 0.002032 [.000080] MIN TIN PER MIL-T-10727	APPD 4-27-94 TERRY L. SHUTTER	SIZE	CAGE CODE
	PRODUCT SPEC 108-2012	C	00779
	APPLICATION SPEC 114-2046	DRAWING NO	G=63018
	WEIGHT -	SCALE 10:1	SHEET 1 OF 1

THIS DRAWING IS A CONTROLLED DOCUMENT FOR AMP INCORPORATED. IT IS SUBJECT TO CHANGE AND THE CONTROLLING ENGINEERING ORGANIZATION SHOULD BE CONTACTED FOR THE LATEST REVISION.