



Chipsmall Limited consists of a professional team with an average of over 10 year of expertise in the distribution of electronic components. Based in Hongkong, we have already established firm and mutual-benefit business relationships with customers from,Europe,America and south Asia,supplying obsolete and hard-to-find components to meet their specific needs.

With the principle of "Quality Parts,Customers Priority,Honest Operation,and Considerate Service",our business mainly focus on the distribution of electronic components. Line cards we deal with include Microchip,ALPS,ROHM,Xilinx,Pulse,ON,Everlight and Freescale. Main products comprise IC,Modules,Potentiometer,IC Socket,Relay,Connector.Our parts cover such applications as commercial,industrial, and automotives areas.

We are looking forward to setting up business relationship with you and hope to provide you with the best service and solution. Let us make a better world for our industry!



Contact us

Tel: +86-755-8981 8866 Fax: +86-755-8427 6832

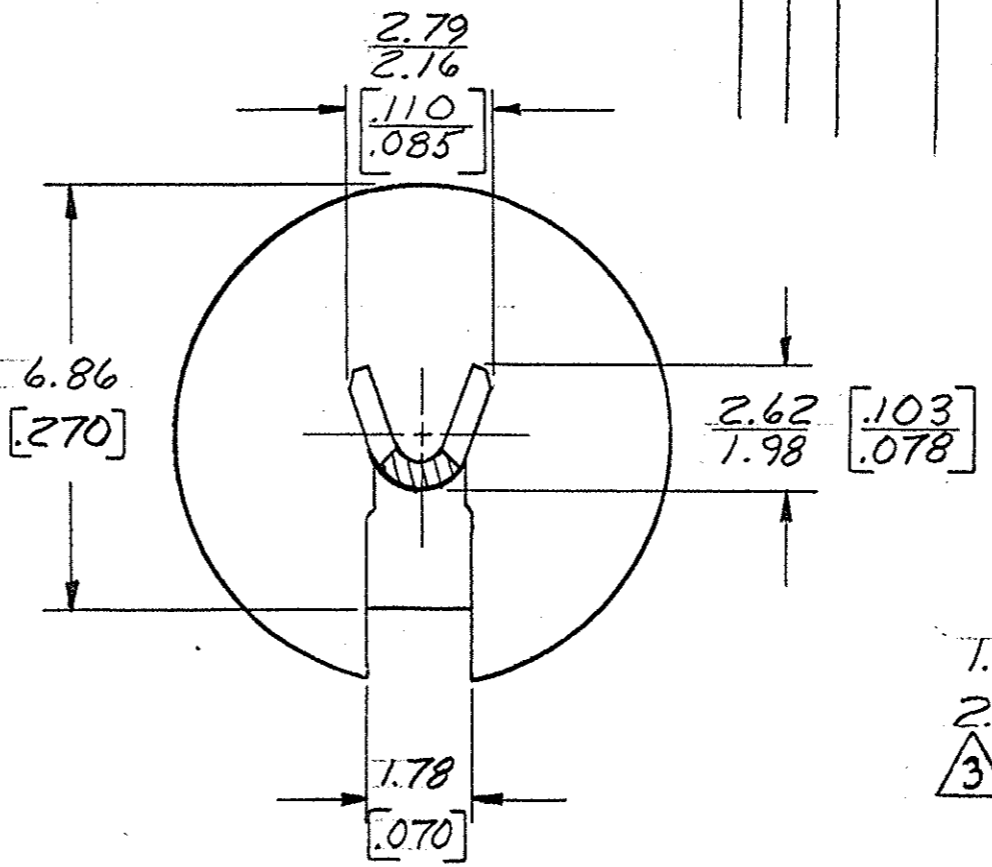
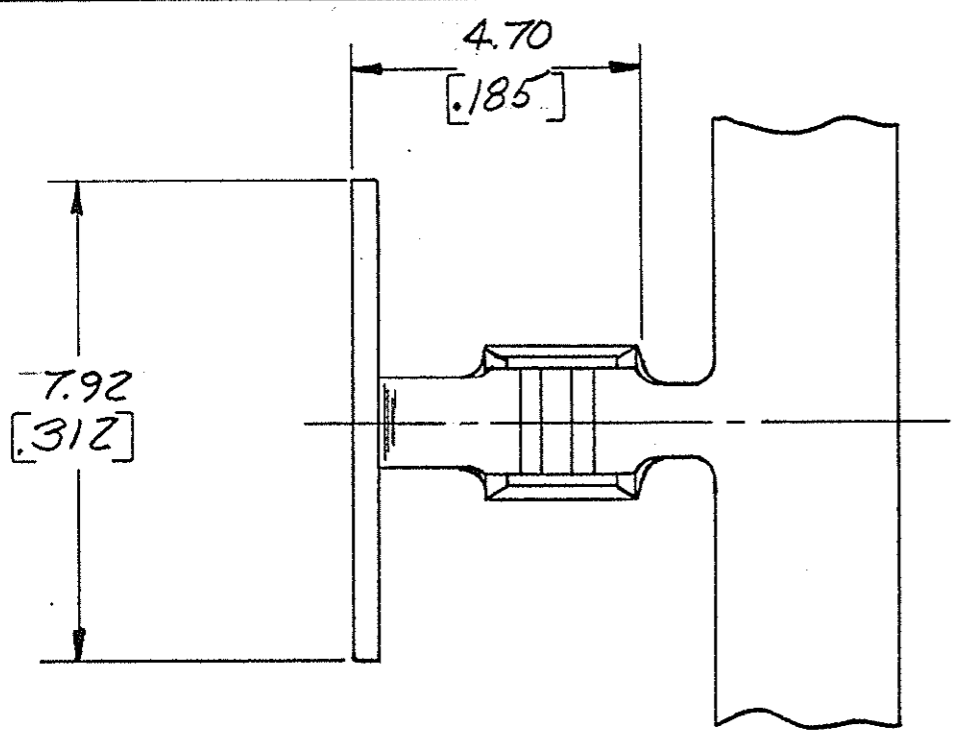
Email & Skype: info@chipsmall.com Web: www.chipsmall.com

Address: A1208, Overseas Decoration Building, #122 Zhenhua RD., Futian, Shenzhen, China

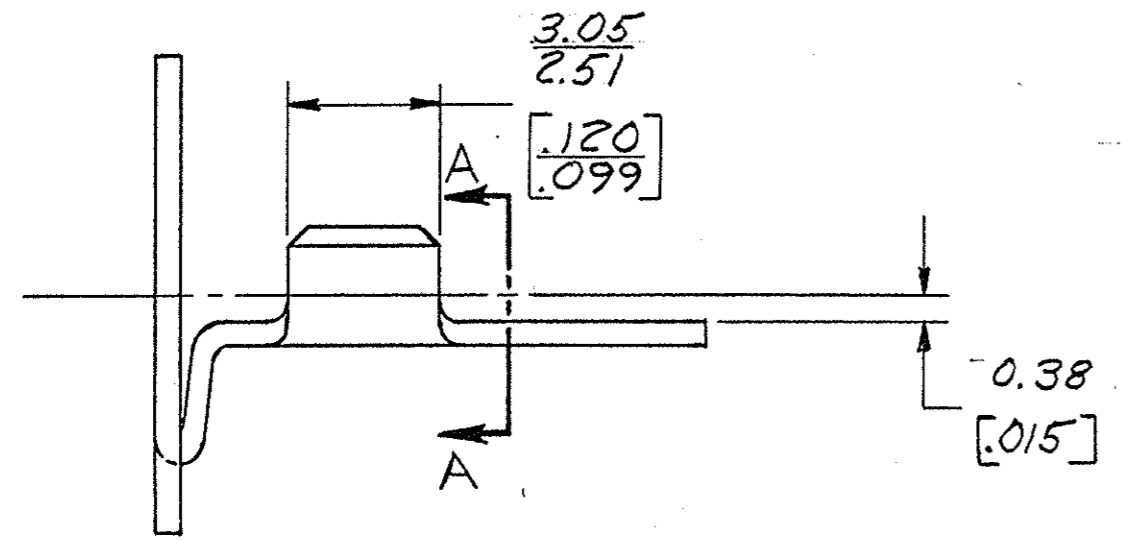


© COPYRIGHT 1980 BY AMP INCORPORATED, HARRISBURG, PA.
 ALL INTERNATIONAL RIGHTS RESERVED. AMP INCORPORATED PRODUCTS
 COVERED BY U. S. AND FOREIGN PATENTS AND/OR PATENTS PENDING.

		2		1		LOC AF	DIST 50
REVISIONS							
P	F	ZONE	LTR	DESCRIPTION	DATE	APPROVED	
		A1	A	ADDED - 2 PER ECR-06-010726	4-5-06	MSF/RAL	



SECT A-A



1. DIMS. IN BRACKETS ARE IN INCHES
 2. CONTINUOUS STRIP ON REELS.
 3. PRELIMINARY - NOT FOR PRODUCTION.

PRE-TIN	0.2-0.6 mm ² [#24 - #20]	63020-2/3
NONE	0.2-0.6 mm ² [#24 - #20]	63020-1
FINISH	WIRE RANGE	PART NO

METRIC

UNLESS OTHERWISE SPECIFIED DIMENSIONS ARE IN INCHES MM TOLERANCES ON: DECIMALS ±0.38 [015] ANGLES ±	CONTRACT NO
	DRG <i>Schaffhauser</i> 4/27/80 CHK <i>G. Yetter</i> 7/7/80 APPD <i>D. Schwenk</i> 7-7-80 APPD <i>Jon Fortuna</i> 7-8-80 DSGN APPD OTHER APPD
MATERIAL 0.41 [016] BRASS	FINISH SEE TABLE

AMP AMP INCORPORATED Harrisburg, Pa.		
NAME BRUSH CONTACT		
SIZE B	CODE IDENT NO 00779	DRAWING NO 63020
SCALE	SHEET	