



Chipsmall Limited consists of a professional team with an average of over 10 year of expertise in the distribution of electronic components. Based in Hongkong, we have already established firm and mutual-benefit business relationships with customers from,Europe,America and south Asia,supplying obsolete and hard-to-find components to meet their specific needs.

With the principle of “Quality Parts,Customers Priority,Honest Operation,and Considerate Service”,our business mainly focus on the distribution of electronic components. Line cards we deal with include Microchip,ALPS,ROHM,Xilinx,Pulse,ON,Everlight and Freescale. Main products comprise IC,Modules,Potentiometer,IC Socket,Relay,Connector.Our parts cover such applications as commercial,industrial, and automotives areas.

We are looking forward to setting up business relationship with you and hope to provide you with the best service and solution. Let us make a better world for our industry!



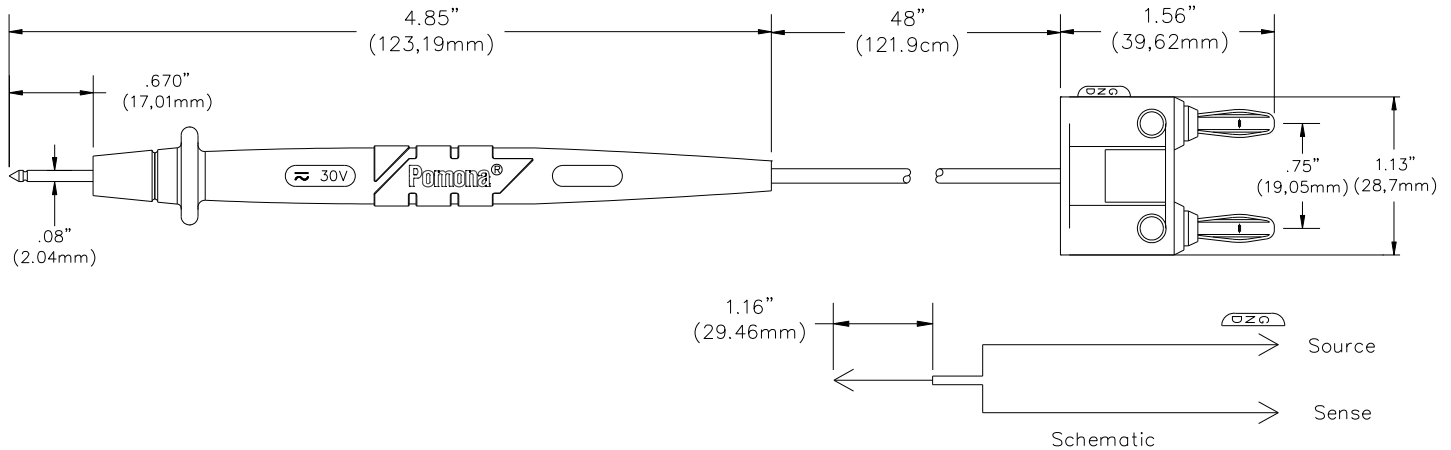
Contact us

Tel: +86-755-8981 8866 Fax: +86-755-8427 6832

Email & Skype: info@chipsmall.com Web: www.chipsmall.com

Address: A1208, Overseas Decoration Building, #122 Zhenhua RD., Futian, Shenzhen, China





FEATURES:

- ✓ Kelvin probe configuration reduces the voltage drop in test leads, minimizing measurement inaccuracies, making them excellent for low resistance measurements.
- ✓ Single probe tip is ideal for testing surface mount and small components.
- ✓ Probe tips and banana plugs are gold plated Beryllium Copper for low contact resistance.
- ✓ Shielded coaxial cable reduces electrostatic interference.
- ✓ Probe overmolded with Santoprene[®] rubber for handling comfort, added insulation protection and cable strain relief.
- ✓ Compatible with 4-wire test instruments with .75" (19,05mm) spacing between "Source" and "Sense" terminals.

MATERIALS:

Probe Body:

Outer Insulation- Gray Santoprene[®] Rubber

Inner Insulation- Polypropylene, One Black, One Red

Tip- Gold plated Beryllium Copper

Banana Plug:

Body- Gold Plated Brass

Spring- Beryllium Copper, Gold Plated

Insulation- Polypropylene, Color: One Black, One Red

Cable: RG174/U Length: 48" (122cm), O.D. 0.100 (2,54mm)

RATINGS:

For CE compliance: not intended for hand-held use at voltages above 33 Vrms/70 Vdc.

ORDERING INFORMATION:

Model 6303 (includes a set of one black and one red test lead)

All dimensions are in inches. Tolerances (except noted): .xx = ±.02" (.51 mm), .xxx = ±.005" (.127 mm).

All specifications are to the latest revisions. Specifications are subject to change without notice.

Registered trademarks are the property of their respective companies.

Sales: 800-490-2361 Fax: 888-403-3360 Technical Support: 800-241-2060 (technicalsupport@pomonatest.com)
For "Where to Buy" information, visit the Pomona web site at www.pomonaelectronics.com