



Chipsmall Limited consists of a professional team with an average of over 10 year of expertise in the distribution of electronic components. Based in Hongkong, we have already established firm and mutual-benefit business relationships with customers from,Europe,America and south Asia,supplying obsolete and hard-to-find components to meet their specific needs.

With the principle of “Quality Parts,Customers Priority,Honest Operation,and Considerate Service”,our business mainly focus on the distribution of electronic components. Line cards we deal with include Microchip,ALPS,ROHM,Xilinx,Pulse,ON,Everlight and Freescale. Main products comprise IC,Modules,Potentiometer,IC Socket,Relay,Connector.Our parts cover such applications as commercial,industrial, and automotives areas.

We are looking forward to setting up business relationship with you and hope to provide you with the best service and solution. Let us make a better world for our industry!



Contact us

Tel: +86-755-8981 8866 Fax: +86-755-8427 6832

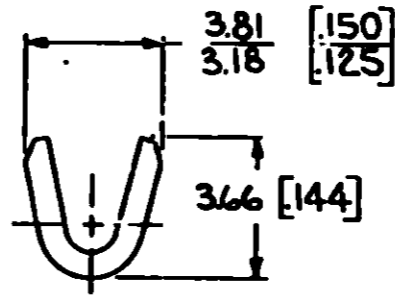
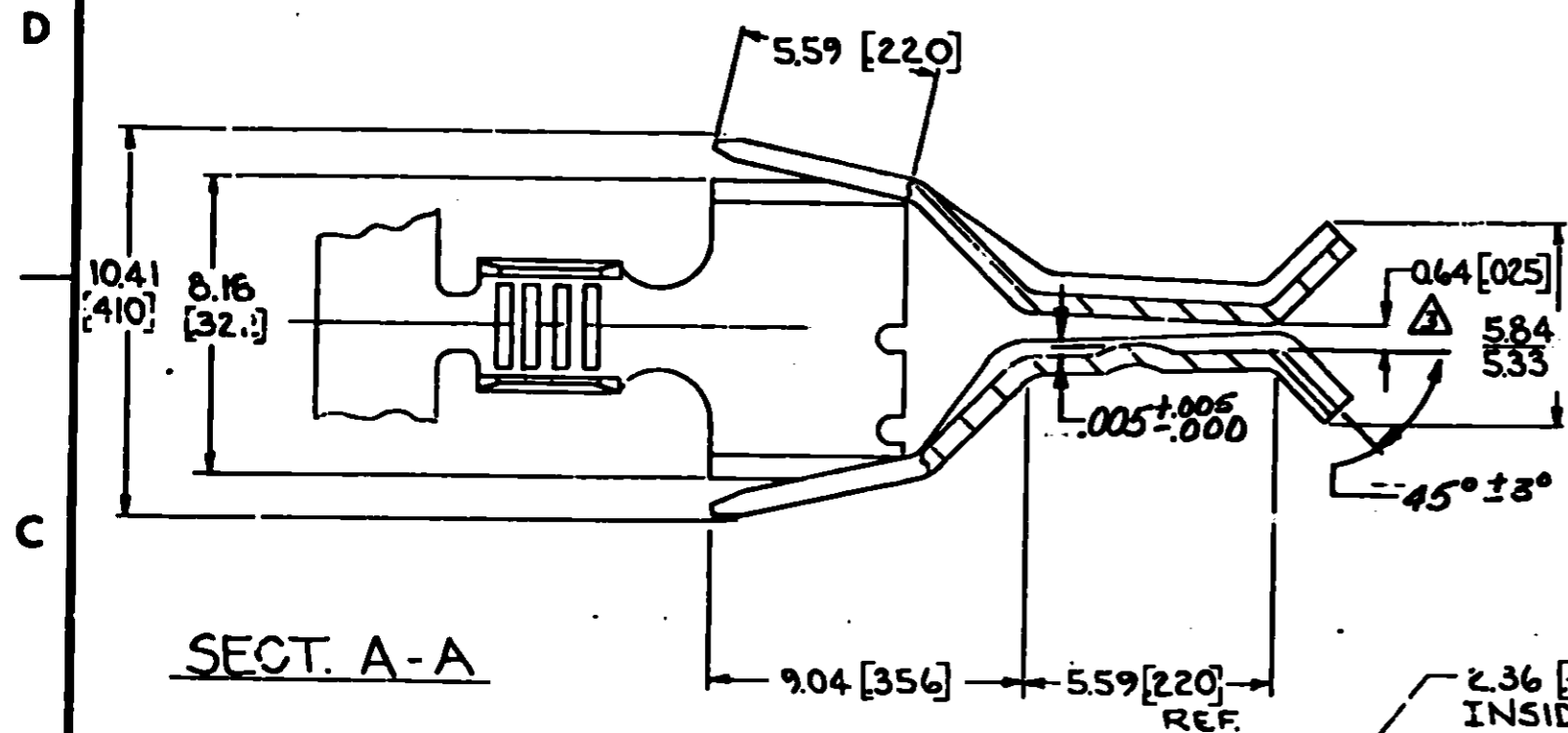
Email & Skype: info@chipsmall.com Web: www.chipsmall.com

Address: A1208, Overseas Decoration Building, #122 Zhenhua RD., Futian, Shenzhen, China



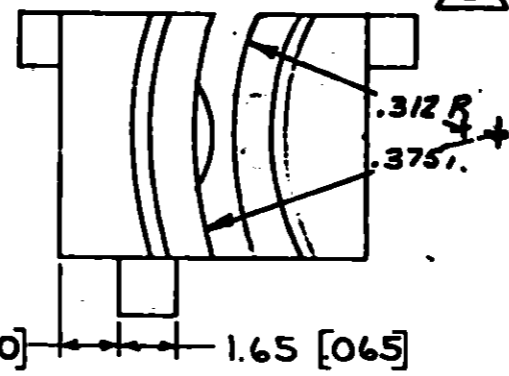
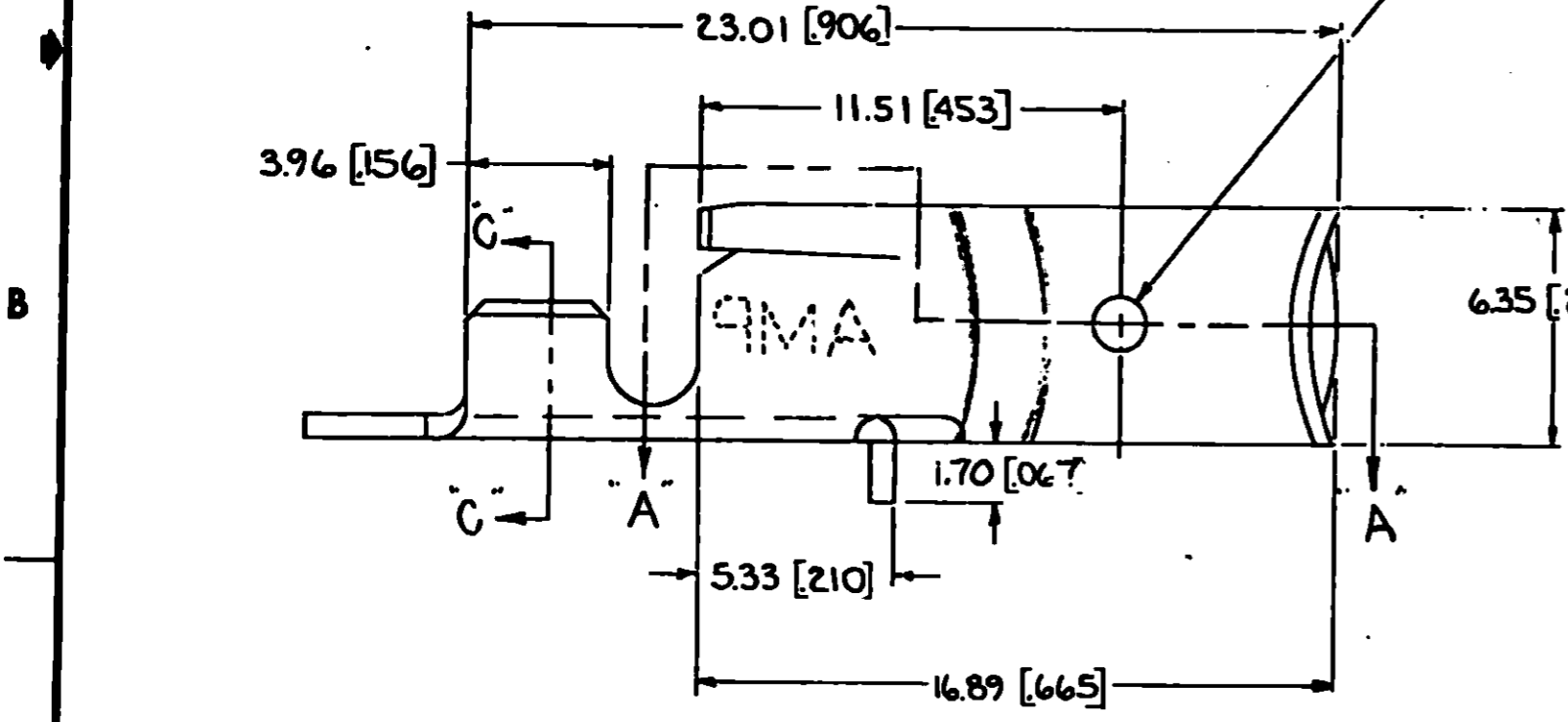
© COPYRIGHT 1980 BY AMP INCORPORATED, HARRISBURG, PA.
 ALL INTERNATIONAL RIGHTS RESERVED. AMP INCORPORATED PRODUCTS
 COVERED BY U. S. AND FOREIGN PATENTS AND/OR PATENTS PENDING.

REVISIONS					
REV	ZONE	LTR	DESCRIPTION	DATE	APPROVED
✓		A	RELEASED & REVISED PER A-4907	2/1/80	67
✓		B	REVISED PER AF-6732	12/9/79	25
✓		C	REV PER AF-7236	7/15/79	PMF
✓		D	REV PER AF-7675	7/24/79	PMF



SECT. A-A

SECT. C-C



NOTE:
 1. DIMS. IN BRACKETS ARE IN INCHES.
 2. CONTINUOUS STRIP ON REELS.
 3. DIMENSION NOT TO EXCEED 1.01 [040] AFTER 6 INSERTIONS OF A MATING BLADE.

METRIC

UNLESS OTHERWISE SPECIFIED DIMENSIONS ARE IN MILLIMETERS TOLERANCES ON: DECIMALS ± 0.25 [010] ANGLES 2°	CONTRACT NO
	DR <i>R.L. Impey 6-16-80</i>
	CHK <i>G. V. Stiles 6-17-80</i>
	APPD <i>G. V. Stiles 6-17-80</i>
MATERIAL 0.64 [025] THK. PHOS. BRZ.	APPD <i>C. R. ... 6-17-80</i>
FINISH TIN	DSGN APPD
	OTHER APPD

0.5 - 1.3mm [20-16]		63035-1
WIRE RANGE		PART NO
AMP AMP INCORPORATED Harrisburg, Pa.		
NAME RECEPTACLE, TWISTLOCK		
SIZE B	CODE IDENT NO 00779	DRAWING NO 63035
SCALE	SHEET	