



Chipsmall Limited consists of a professional team with an average of over 10 year of expertise in the distribution of electronic components. Based in Hongkong, we have already established firm and mutual-benefit business relationships with customers from,Europe,America and south Asia,supplying obsolete and hard-to-find components to meet their specific needs.

With the principle of “Quality Parts,Customers Priority,Honest Operation,and Considerate Service”,our business mainly focus on the distribution of electronic components. Line cards we deal with include Microchip,ALPS,ROHM,Xilinx,Pulse,ON,Everlight and Freescale. Main products comprise IC,Modules,Potentiometer,IC Socket,Relay,Connector.Our parts cover such applications as commercial,industrial, and automotives areas.

We are looking forward to setting up business relationship with you and hope to provide you with the best service and solution. Let us make a better world for our industry!



## Contact us

Tel: +86-755-8981 8866 Fax: +86-755-8427 6832

Email & Skype: info@chipsmall.com Web: www.chipsmall.com

Address: A1208, Overseas Decoration Building, #122 Zhenhua RD., Futian, Shenzhen, China

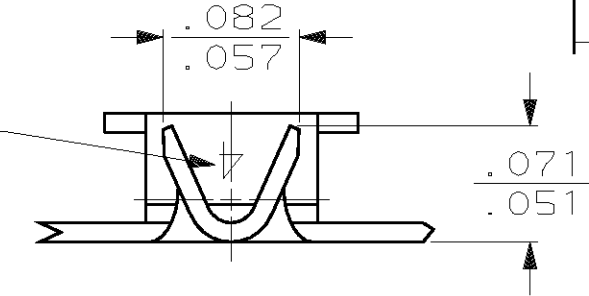


THIS DRAWING IS UNPUBLISHED. RELEASED FOR PUBLICATION ,19 .  
 © COPYRIGHT 19 BY AMP INCORPORATED. ALL INTERNATIONAL RIGHTS RESERVED.

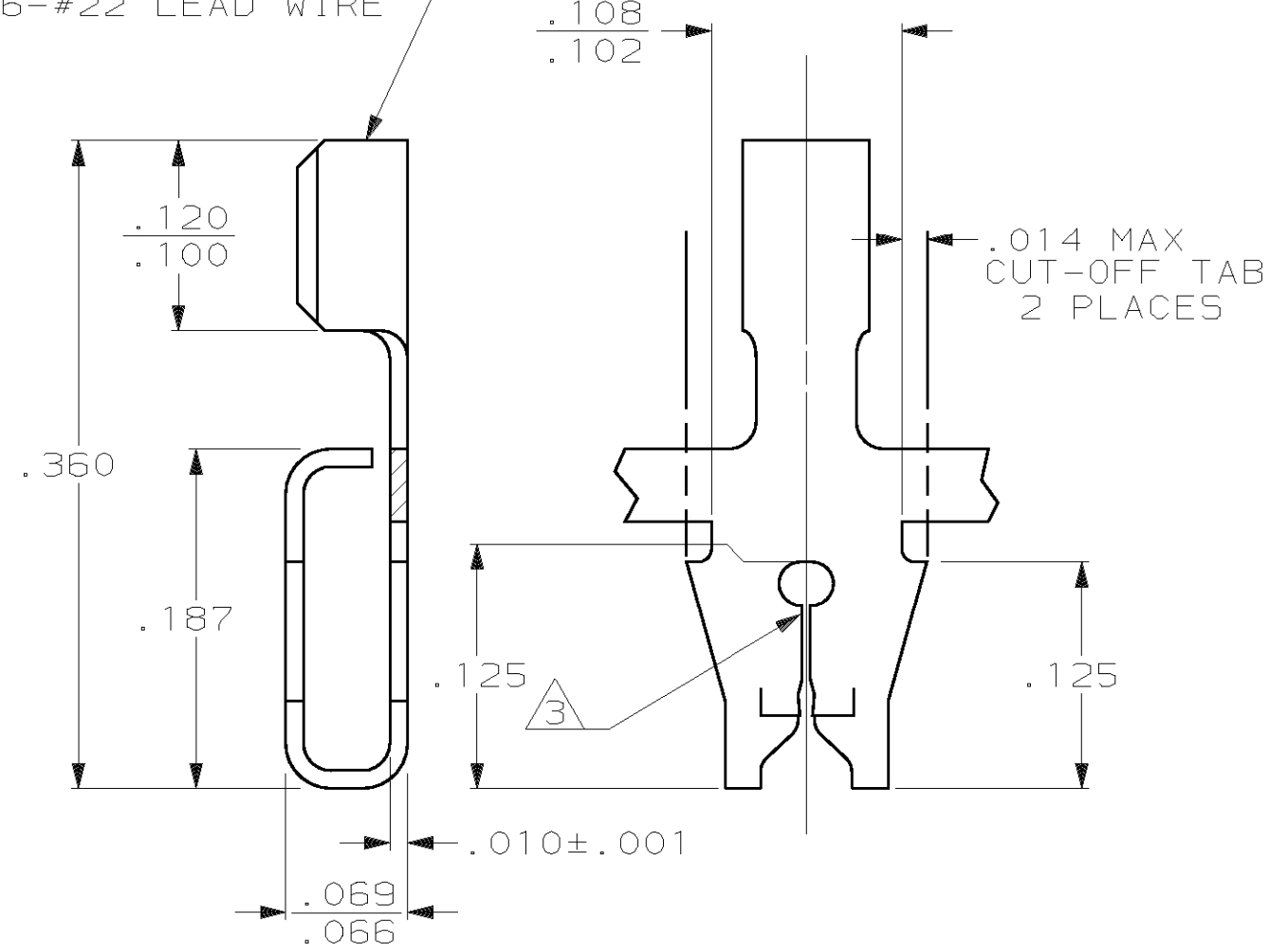
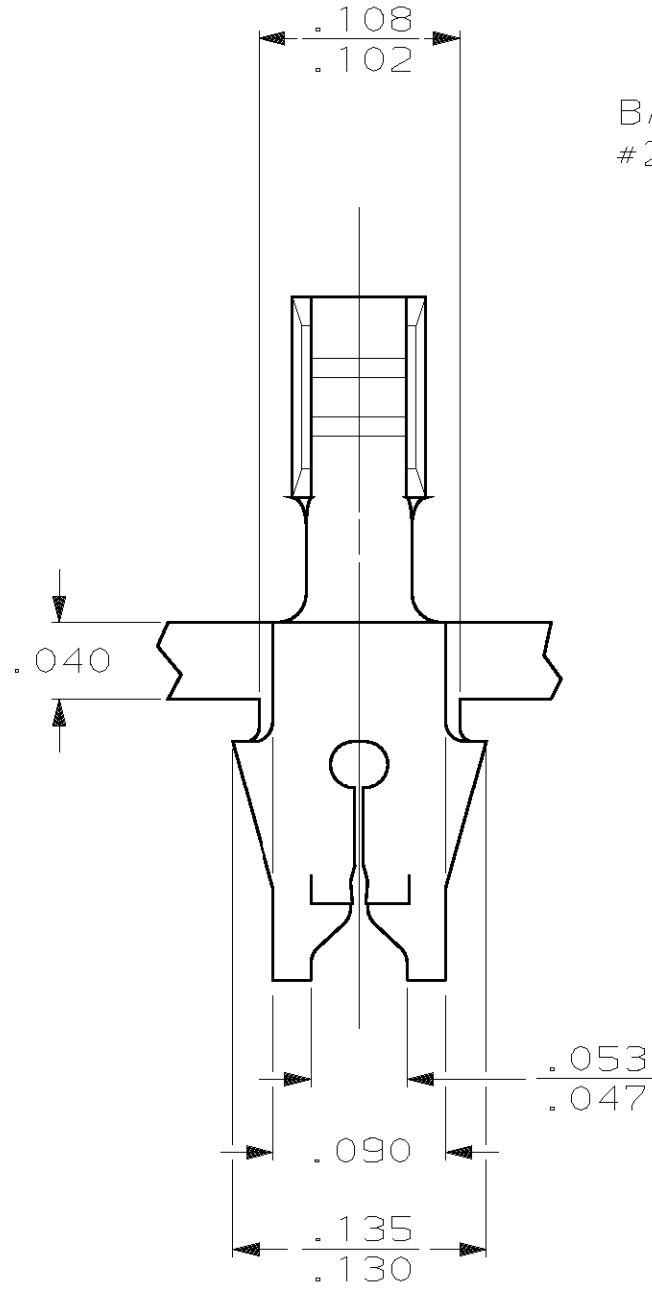
LOC DIST  
 AF 50

REVISIONS				
ZONE	LTR	DESCRIPTION	DATE	APPD
	J	REV STATUS -2 PER 0G3A-0282-01	16MAY01	MF KR

IDENTIFICATION NUMBER FOR MAGNET WIRE RANGE



BARREL TO ACCEPT #26-#22 LEAD WIRE



- ① MAG-MATE CAVITY SPECIFICATION.
- ② CONTINUOUS STRIP ON REELS WITH TERMINALS LOCATED ON .200 CENTERS.
- ③ SLOT ACCEPTS #33-#31 AWG COPPER MAGNET WIRE.

MINI-APPLICATOR	63039-2
MAG-MATE INSERTER	63039-1
REELING	PART NO

STRIP LENGTH ±.015	TYPE	WIDTH	±.002 HEIGHT	WIRE
.140	F	.055	.033	22
			.029	24
			.028	26
WIRE BARREL CRIMP				

DO NOT SCALE PRINT. UNLESS SPECIFIED DIMENSIONS IN INCHES  
 TOLERANCES ON:  
 2 PLC DEC ± -  
 3 PLC DEC ± .010  
 ANGLES ± -  
 MATERIAL #4 HARD BRASS  
 FINISH .000150 MIN TIN

DR 12/14/88	M.S. FEHER
CHK 12/16/88	P.M. FORTNEY
APPD 12/16/88	N.E. NEFF
APPD 12/16/88	C.G. ATHERTON
PRODUCT SPEC	-
APPLICATION SPEC	114-2069
WEIGHT	-

**AMP** AMP INCORPORATED  
 Harrisburg, Pa. 17105

NAME  
 TERMINAL, F CRIMP, MAG-MATE™

SIZE	FSCM NO	DRAWING NO
<b>B</b>	00779	63039
SCALE	10:1	SHEET
		1 OF 1