



Chipsmall Limited consists of a professional team with an average of over 10 year of expertise in the distribution of electronic components. Based in Hongkong, we have already established firm and mutual-benefit business relationships with customers from,Europe,America and south Asia,supplying obsolete and hard-to-find components to meet their specific needs.

With the principle of “Quality Parts,Customers Priority,Honest Operation,and Considerate Service”,our business mainly focus on the distribution of electronic components. Line cards we deal with include Microchip,ALPS,ROHM,Xilinx,Pulse,ON,Everlight and Freescale. Main products comprise IC,Modules,Potentiometer,IC Socket,Relay,Connector.Our parts cover such applications as commercial,industrial, and automotives areas.

We are looking forward to setting up business relationship with you and hope to provide you with the best service and solution. Let us make a better world for our industry!



Contact us

Tel: +86-755-8981 8866 Fax: +86-755-8427 6832

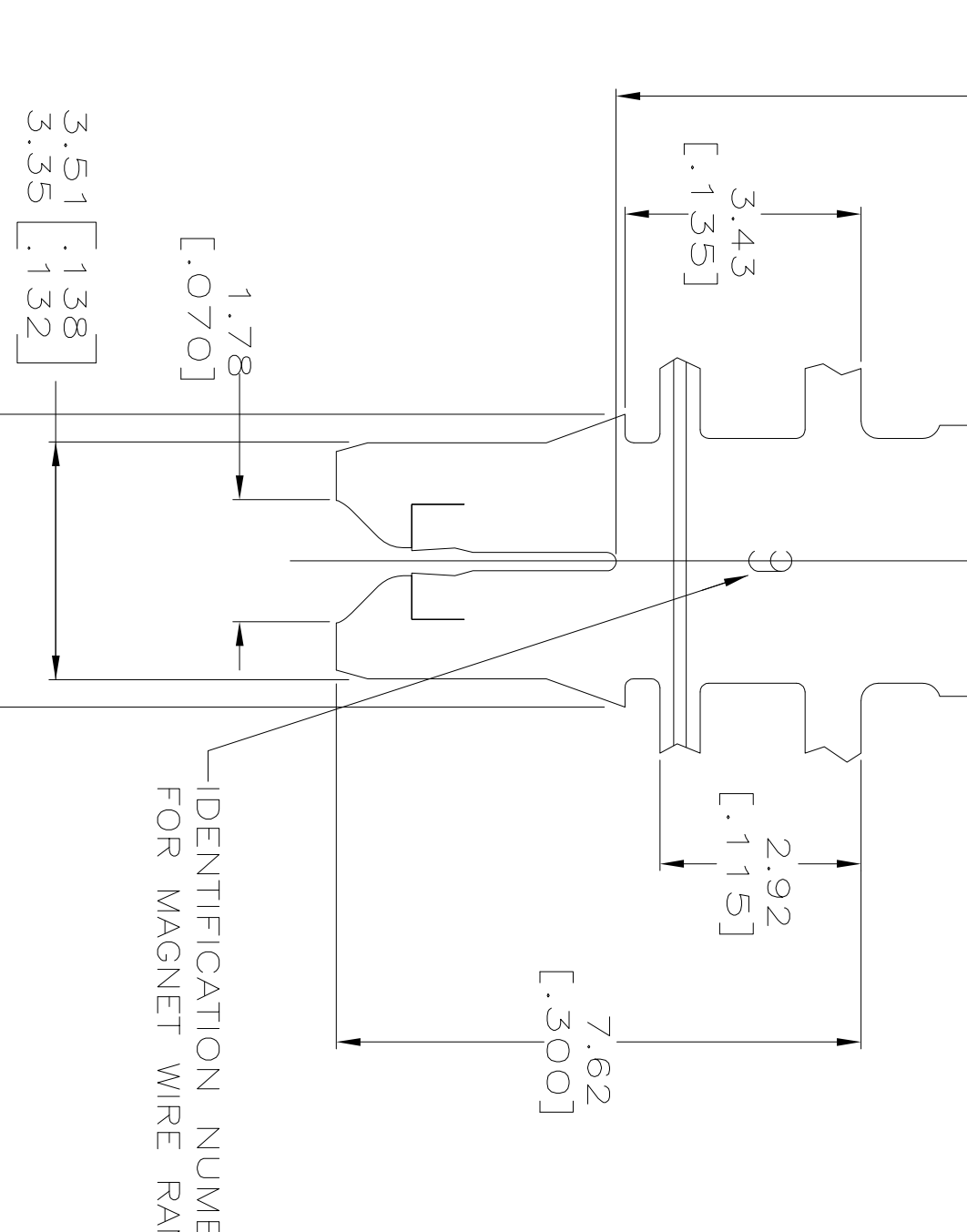
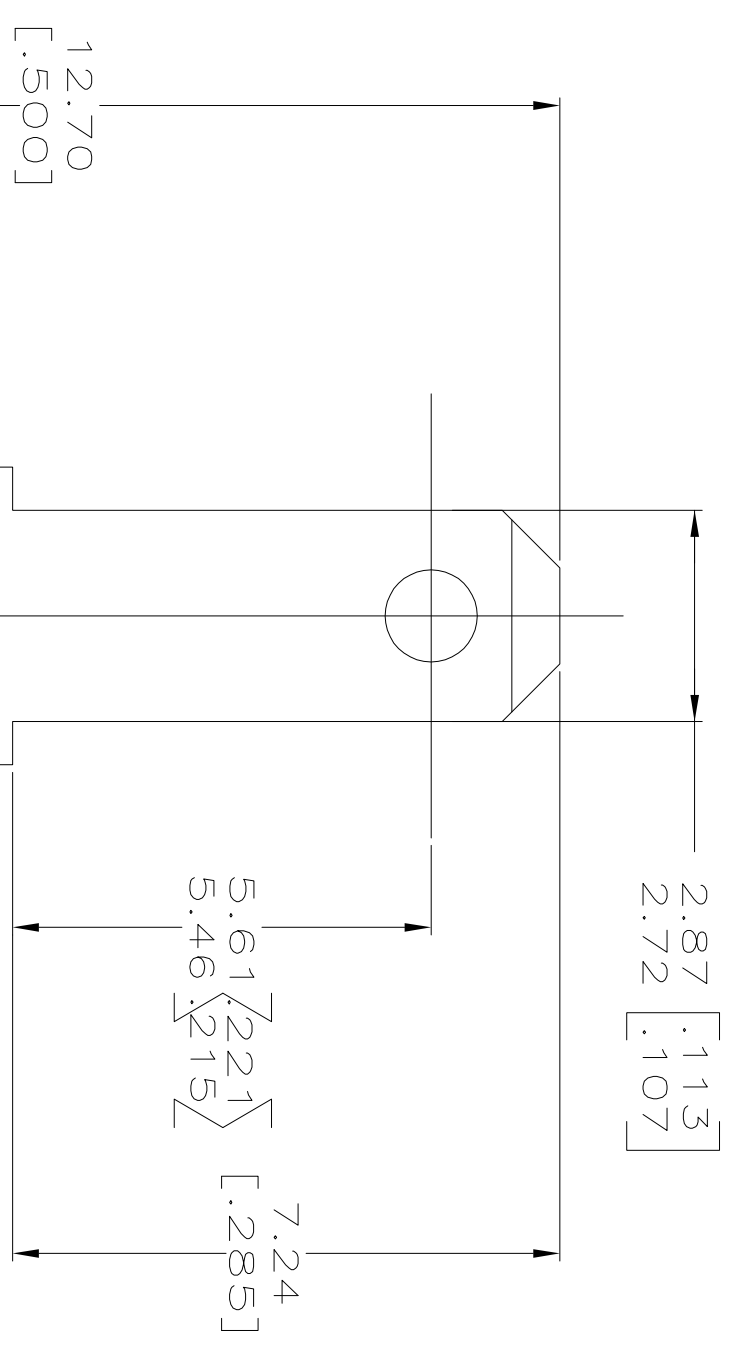
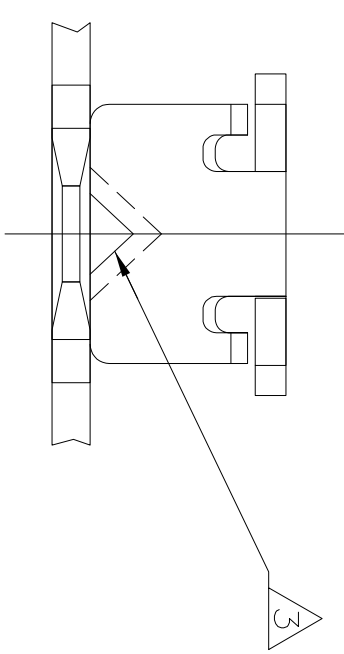
Email & Skype: info@chipsmall.com Web: www.chipsmall.com

Address: A1208, Overseas Decoration Building, #122 Zhenhua RD., Futian, Shenzhen, China

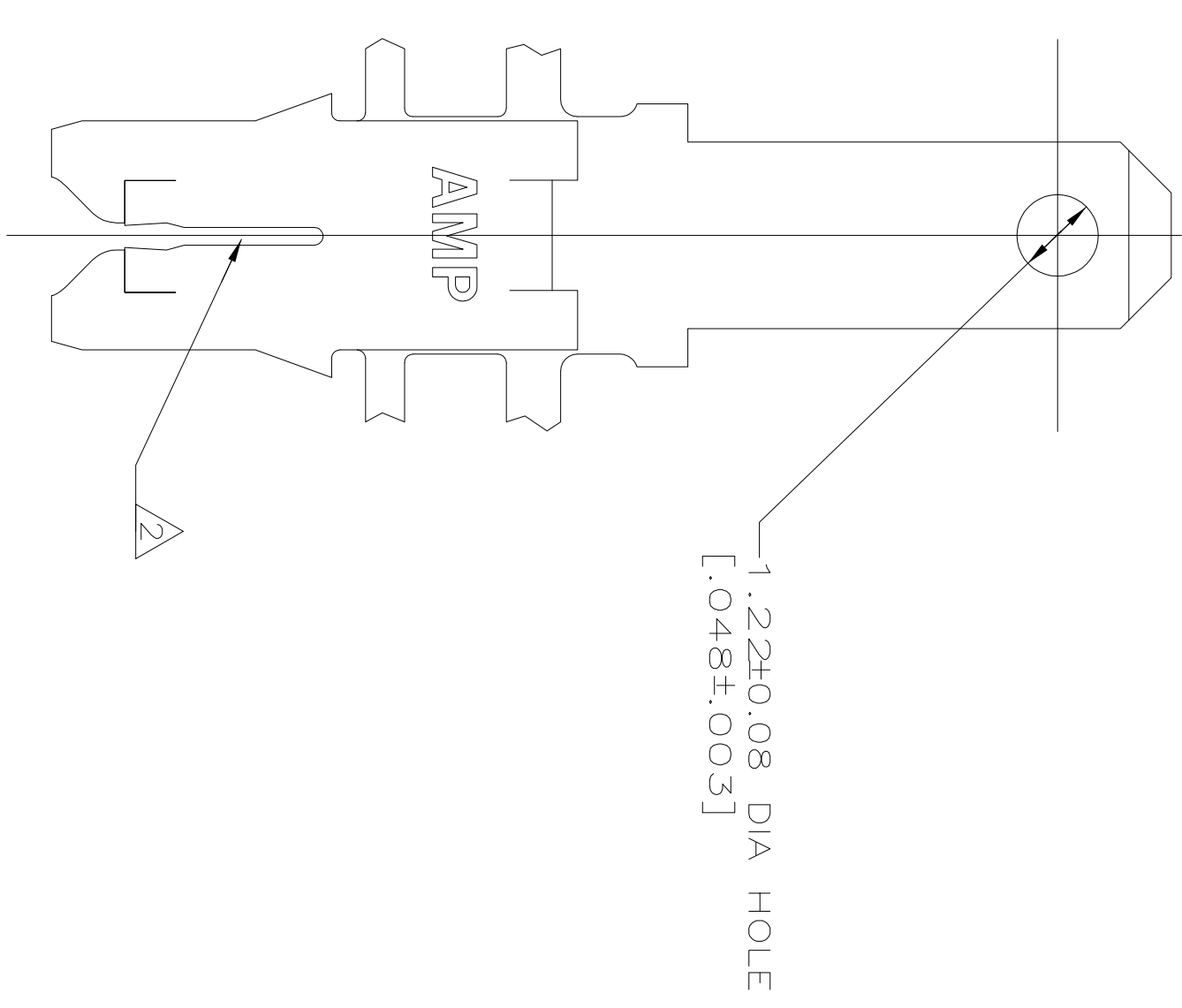
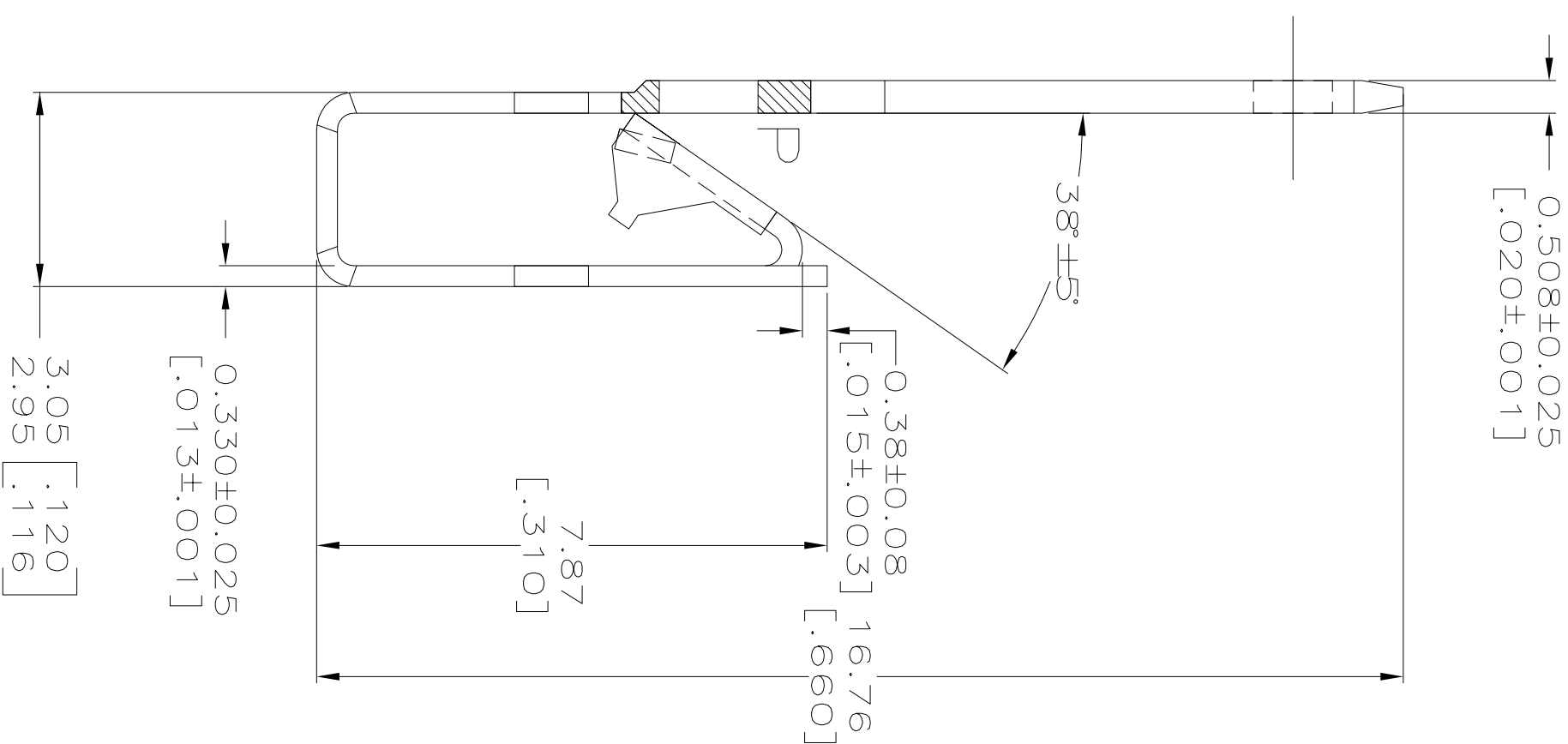


LOC	DIST	ZONE	LTR	DESCRIPTION	DATE	APPD
AF	50	P	F	J1 REVISE PER ECR-12-022060	28DEC12	CX/LL

- 1 CONTINUOUS STRIP ON REELS WITH TERMINALS LOCATED ON 5.59±0.08 [.220±.003] CENTERS. SLOTS ACCEPTS EITHER A SINGLE OR DOUBLE MAGNET WIRE OF THE SAME SIZE AND TYPE
COPPER RANGE: 0.32-0.51mm [#28-#24] AWG
- 2 POKE-IN ACCEPTS A 0.5-0.8mm² [#20-#18] AWG SOLID OR FUSED STRANDED LEAD WIRE.
- 3 AFTER INSERTION INTO PLASTIC HOLDER TAB PORTION MUST BE BENT OVER 45° TO 90° OR POTTED-IN TO PREVENT PULL-OUT WHEN MATING RECEPTACLE IS DISCONNECTED.
- 4



IDENTIFICATION NUMBER 9 FOR MAGNET WIRE RANGE



OBSELETE -63062-1- PART NO

DO NOT SCALE PRINT. UNLESS SPECIFIED DIMENSIONS IN mm [INCHES] TOLERANCES ON : 2. PLC DEC ± 0.25 [.010] 3. PLC DEC ± _ _ ANGLES ± _ _ MATERIAL 4M PRE-MILLED BRASS	DR 9/MAR/95 R.GRZYBOWSKI	NAME AMP AMP Incorporated Harrisburg, PA 17105-3608
FINISH 0.002032 [.000080] MIN TIN PLATE	CHK 16/MAR/95 M.S.FEHER	TERMINAL, TAB, POKE-IN / 2.79 [.110] FASTON,™ COMBINATION, MAG-MATE™
APPD 16/MAR/95 NELSON E. NEFF	APPD 16/MAR/95 TERRY L. SHUTTER	SIZE CAGE CODE DRAWING NO C 00779 C-63062
PRODUCT SPEC 108-2012	APPLICATION SPEC 114-2046	SCALE 10:1 SHEET 1 OF 1
WEIGHT _		

THIS DRAWING IS A CONTROLLED DOCUMENT FOR AMP INCORPORATED. IT IS SUBJECT TO CHANGE AND THE CONTROLLING ENGINEERING ORGANIZATION SHOULD BE CONTACTED FOR THE LATEST REVISION.