



Chipsmall Limited consists of a professional team with an average of over 10 year of expertise in the distribution of electronic components. Based in Hongkong, we have already established firm and mutual-benefit business relationships with customers from,Europe,America and south Asia,supplying obsolete and hard-to-find components to meet their specific needs.

With the principle of “Quality Parts,Customers Priority,Honest Operation,and Considerate Service”,our business mainly focus on the distribution of electronic components. Line cards we deal with include Microchip,ALPS,ROHM,Xilinx,Pulse,ON,Everlight and Freescale. Main products comprise IC,Modules,Potentiometer,IC Socket,Relay,Connector.Our parts cover such applications as commercial,industrial, and automotives areas.

We are looking forward to setting up business relationship with you and hope to provide you with the best service and solution. Let us make a better world for our industry!



## Contact us

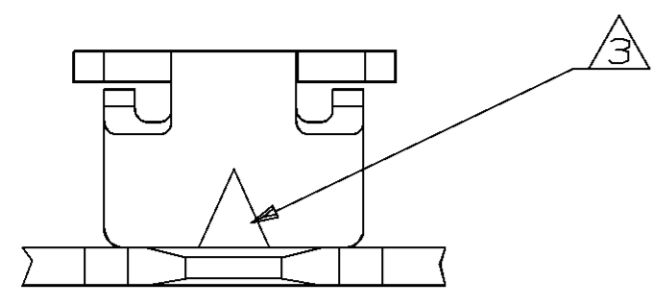
Tel: +86-755-8981 8866 Fax: +86-755-8427 6832

Email & Skype: info@chipsmall.com Web: www.chipsmall.com

Address: A1208, Overseas Decoration Building, #122 Zhenhua RD., Futian, Shenzhen, China

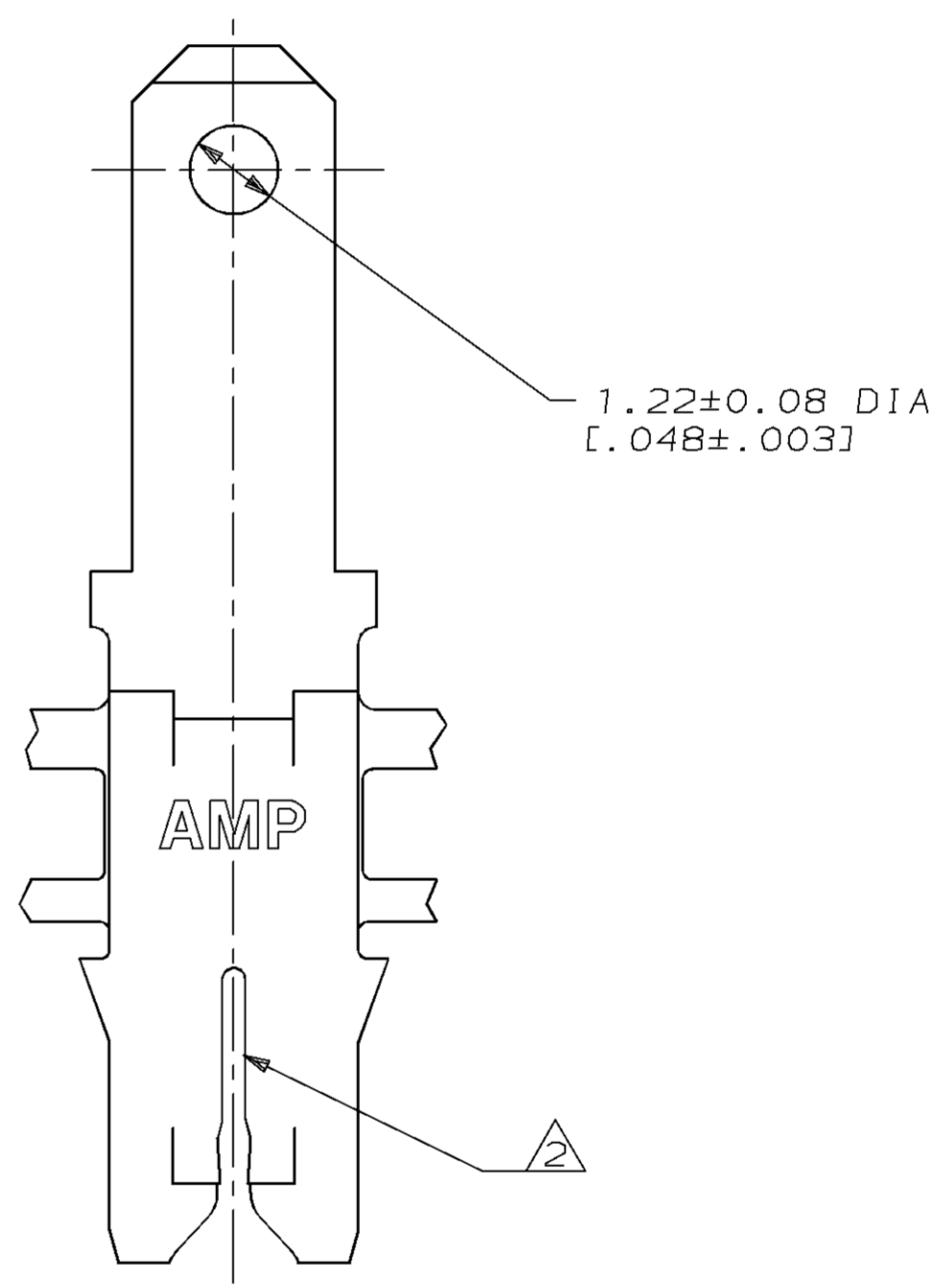
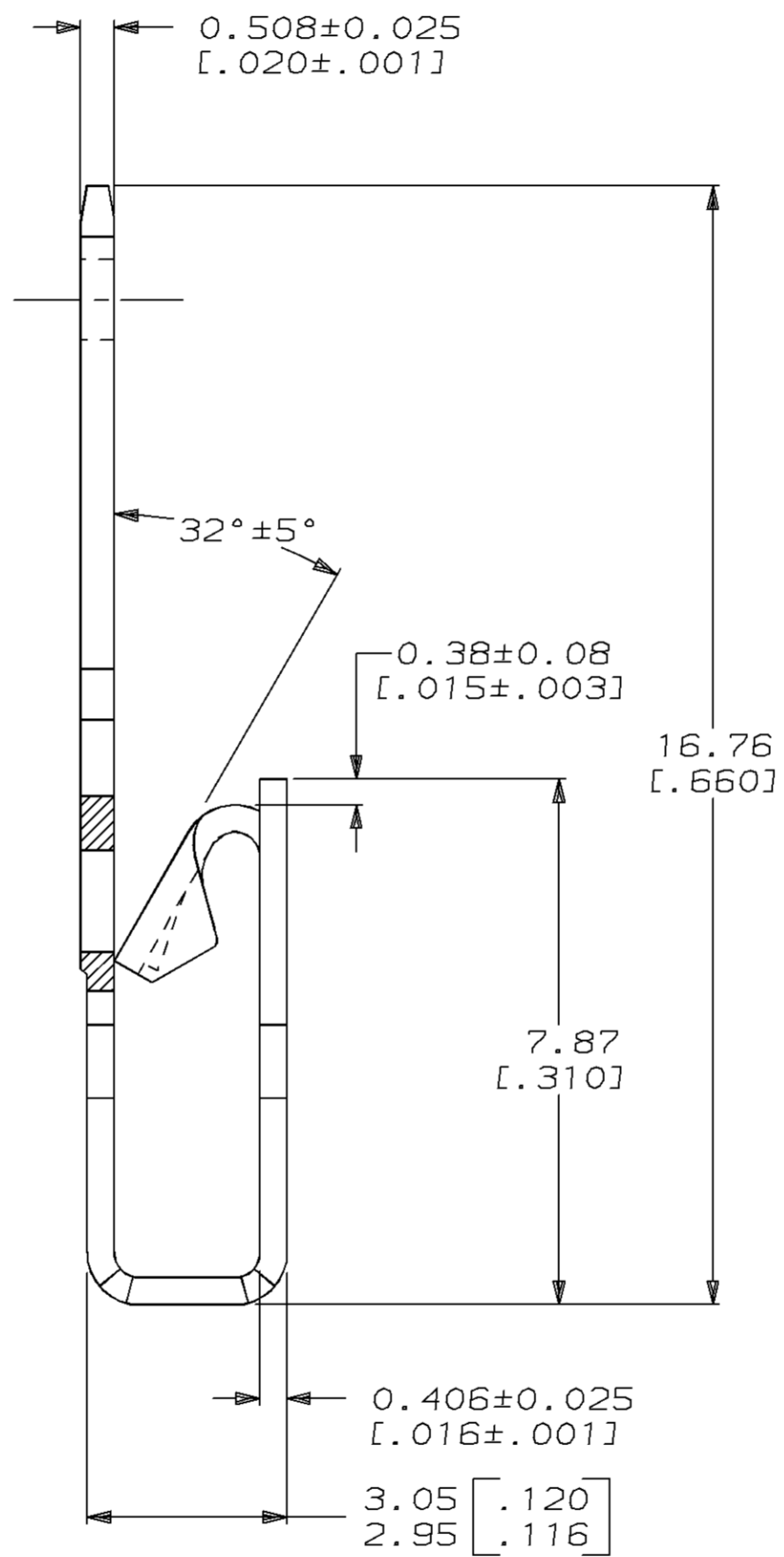
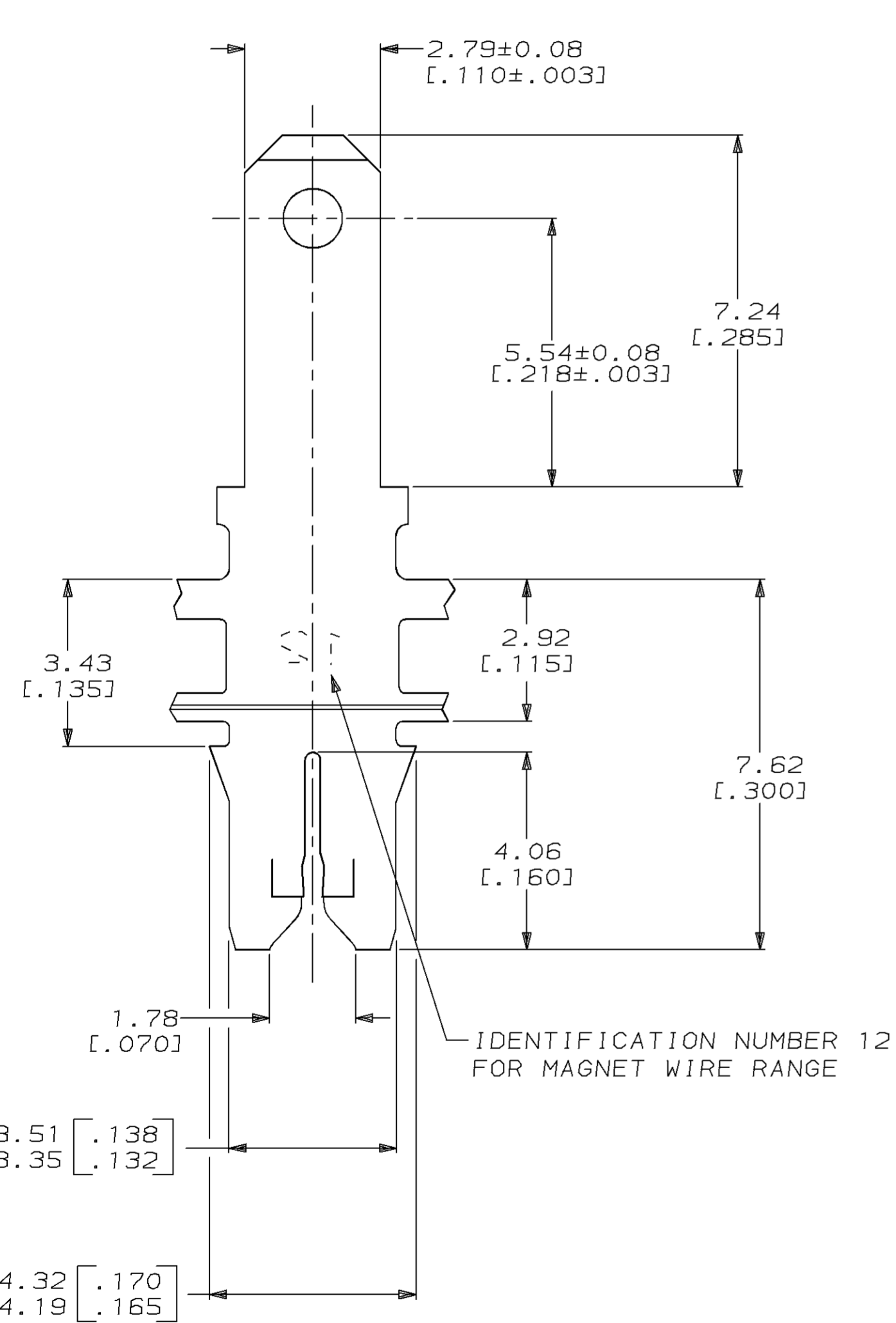


LOC		DIST		ZONE		LTR		REVISIONS		DATE	APPD
AF	50	P	F			F		ADDED -2 & REDRAWN 0710-0606-94	03/DEC/94	MF/NN	



- ⑤ VARNISH RESIST OVER 0.002032 [.000080] MIN TIN PER MIL-T-10727.
- ⑥ 0.002032 [.000080] MIN TIN PER MIL-T-10727.

- 1 CONTINUOUS STRIP ON REELS WITH TERMINALS LOCATED ON 5.59±0.08 [.220±.003] CENTERS.
- ② SLOT ACCEPTS 0.45-0.64mm [#25-#22] AWG COPPER MAGNET WIRE. 2 WIRES OF THE SAME SIZE PER SLOT EXCEPT 0.64mm [#22] AWG WHICH IS ONE WIRE ONLY.
- ③ POKE-IN ACCEPTS A 0.5-0.8mm<sup>2</sup> [#20-#18] AWG SOLID OR FUSED STRANDED LEAD WIRE.
- 4 AFTER INSERTION INTO PLASTIC HOLDER TAB PORTION MUST BE BENT OVER 45° TO 90° OR POTTED-IN TO PREVENT PULL-OUT WHEN MATING RECEPTACLE IS DISCONNECTED.



⑥	63063-2
⑤	63063-1
FINISH	PART NO

DO NOT SCALE PRINT. UNLESS SPECIFIED DIMENSIONS IN mm [INCHES] TOLERANCES ON: 2 PLC DEC ± 0.25 [.010] 3 PLC DEC ± - ANGLES ± -	DR 17/DEC/94 MICHAEL S. FEHER	AMP Incorporated Harrisburg, PA 17105-3608	
	CHK 19/DEC/94 JEFF R. RUTH		
MATERIAL 4M PRE-MILLED BRASS	APPD 20/DEC/94 NELSON E. NEFF	NAME TERMINAL, TAB, POKE-IN/2.79 [.110] FASTON™, COMBINATION, MAG-MATE™	
FINISH SEE TABLE	APPD 20/DEC/94 TERRY L. SHUTTER	SIZE C	CAGE CODE 00779
	PRODUCT SPEC 108-2012	DRAWING NO C=63063	
	APPLICATION SPEC 114-2046	SCALE 10:1	SHEET 1 OF 1
	WEIGHT -		

THIS DRAWING IS A CONTROLLED DOCUMENT FOR AMP INCORPORATED. IT IS SUBJECT TO CHANGE AND THE CONTROLLING ENGINEERING ORGANIZATION SHOULD BE CONTACTED FOR THE LATEST REVISION.