



Chipsmall Limited consists of a professional team with an average of over 10 year of expertise in the distribution of electronic components. Based in Hongkong, we have already established firm and mutual-benefit business relationships with customers from,Europe,America and south Asia,supplying obsolete and hard-to-find components to meet their specific needs.

With the principle of “Quality Parts,Customers Priority,Honest Operation,and Considerate Service”,our business mainly focus on the distribution of electronic components. Line cards we deal with include Microchip,ALPS,ROHM,Xilinx,Pulse,ON,Everlight and Freescale. Main products comprise IC,Modules,Potentiometer,IC Socket,Relay,Connector.Our parts cover such applications as commercial,industrial, and automotives areas.

We are looking forward to setting up business relationship with you and hope to provide you with the best service and solution. Let us make a better world for our industry!



Contact us

Tel: +86-755-8981 8866 Fax: +86-755-8427 6832

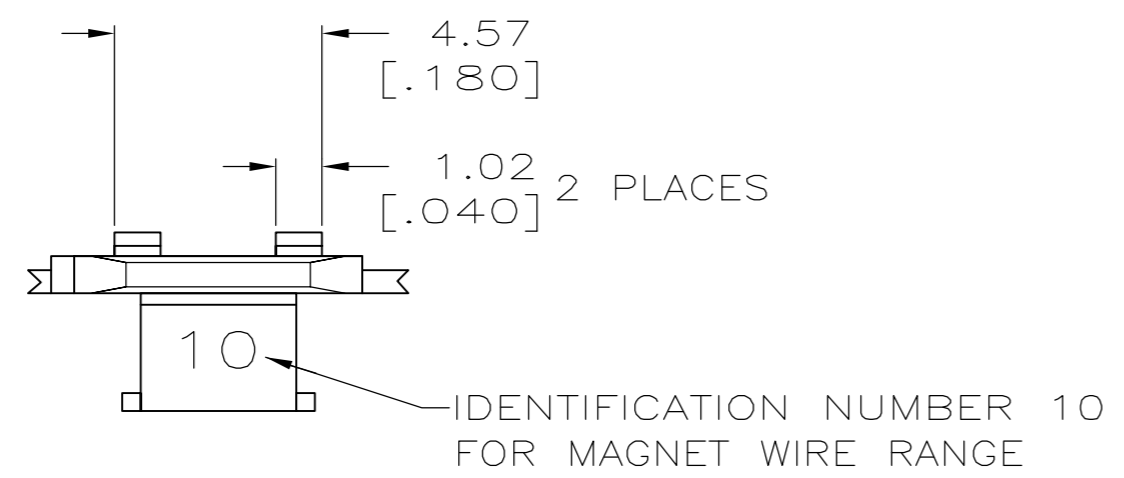
Email & Skype: info@chipsmall.com Web: www.chipsmall.com

Address: A1208, Overseas Decoration Building, #122 Zhenhua RD., Futian, Shenzhen, China

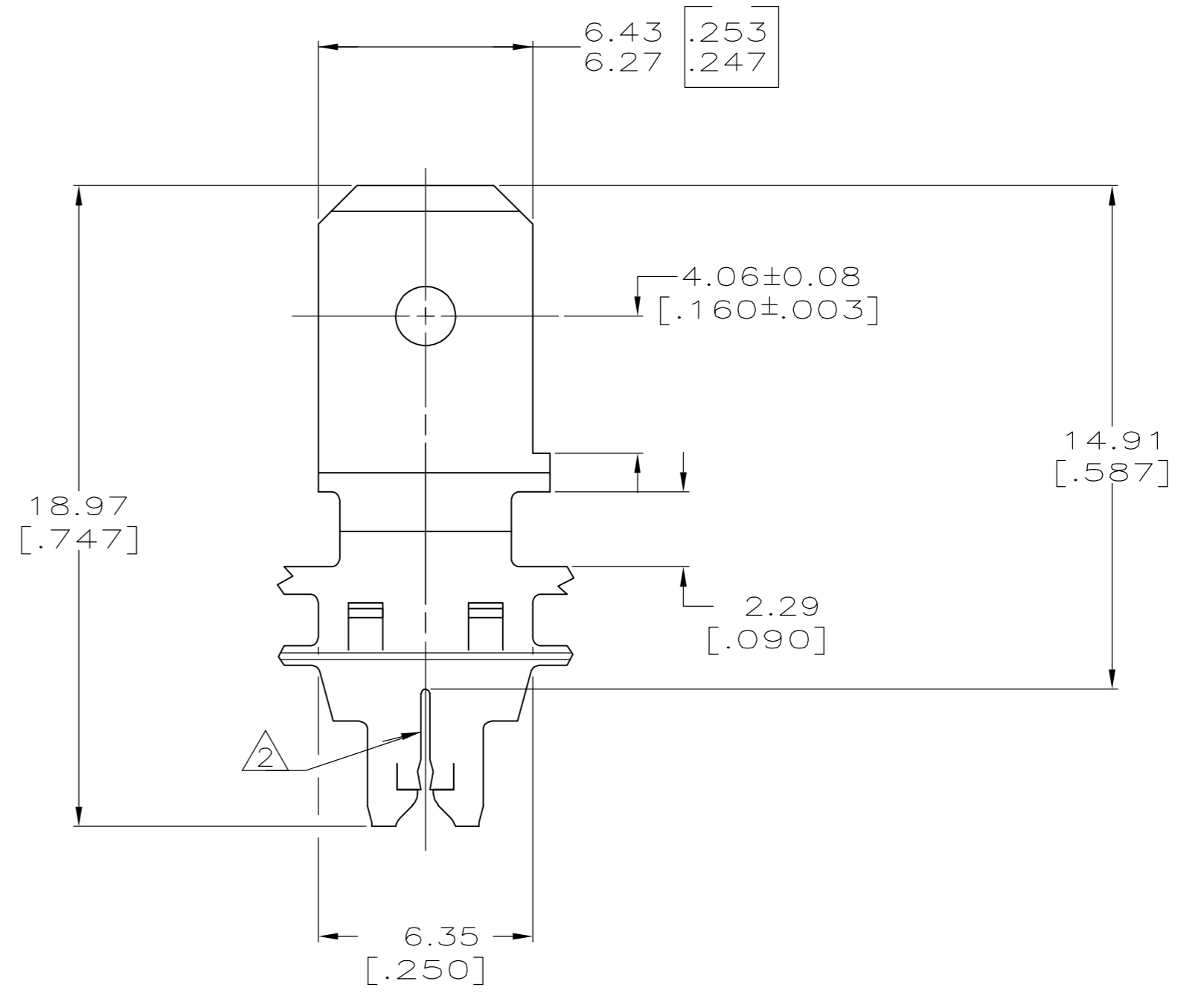
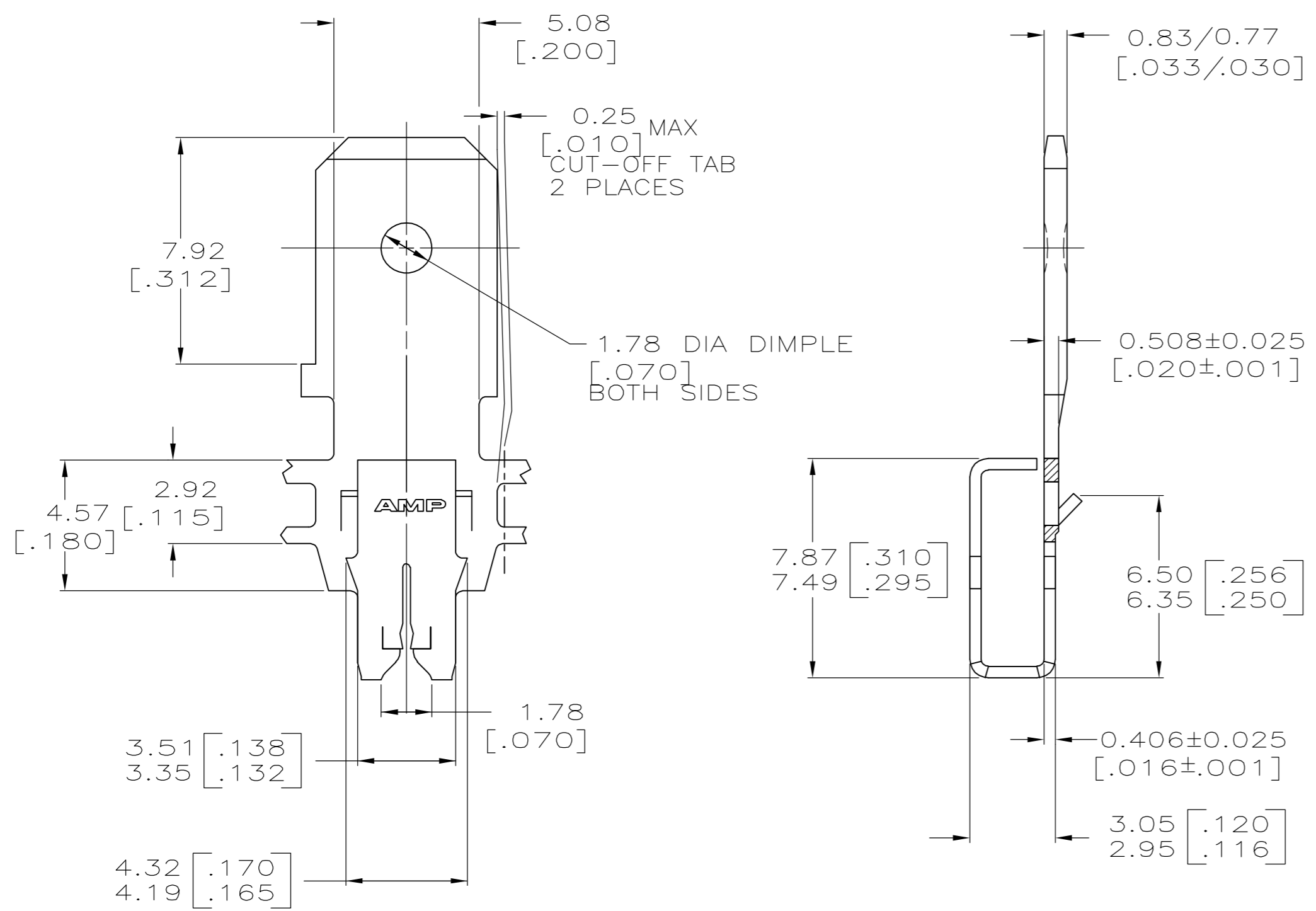


THIS DRAWING IS UNPUBLISHED. RELEASED FOR PUBLICATION .19
 © COPYRIGHT 19 BY AMP INCORPORATED. ALL RIGHTS RESERVED.

LOC		DIST		REVISIONS			
P	LTR	DESCRIPTION		DATE	DWN	APVD	
AF	50	G		REV PER ECR 06-010492	02OCT06	MF	GP



1 CONTINUOUS STRIP ON REELS WITH TERMINALS LOCATED ON 8.38±0.08 [.330±.003] CENTERS.
 2 SLOT ACCEPTS 0.36-0.58mm [#27-#23] AWG COPPER MAGNET WIRE. TWO WIRES OF THE SAME SIZE MAX PER SLOT.



082 PRE-MILLED BRASS	63128-3
4M PRE-MILLED BRASS	63128-1
MATERIAL	PART NUMBER

THIS DRAWING IS A CONTROLLED DOCUMENT.		DWN MICHAEL S. FEHER 07FEB97	AMP Incorporated Harrisburg, PA 17105-3608
DIMENSIONS: mm[INCHES]		CHK RICHARD GRZYBOWSKI 10FEB97	
TOLERANCES UNLESS OTHERWISE SPECIFIED:		APVD NELSON E. NEFF 10FEB97	
0 PLC ±- 1 PLC ±- 2 PLC ±0.25[.010] 3 PLC ±- 4 PLC ±- ANGLES ±1°		NAME PRODUCT SPEC 108-2012 APPLICATION SPEC 114-2094	
MATERIAL SEE TABLE	FINISH 0.002032[.000080] MIN TIN PER MIL-T-10727	WEIGHT -	SIZE A2 CAGE CODE 00779 DRAWING NO C=63128 SCALE 6:1 SHEET 1 OF 1 REV G