



Chipsmall Limited consists of a professional team with an average of over 10 year of expertise in the distribution of electronic components. Based in Hongkong, we have already established firm and mutual-benefit business relationships with customers from,Europe,America and south Asia,supplying obsolete and hard-to-find components to meet their specific needs.

With the principle of “Quality Parts,Customers Priority,Honest Operation,and Considerate Service”,our business mainly focus on the distribution of electronic components. Line cards we deal with include Microchip,ALPS,ROHM,Xilinx,Pulse,ON,Everlight and Freescale. Main products comprise IC,Modules,Potentiometer,IC Socket,Relay,Connector.Our parts cover such applications as commercial,industrial, and automotives areas.

We are looking forward to setting up business relationship with you and hope to provide you with the best service and solution. Let us make a better world for our industry!



Contact us

Tel: +86-755-8981 8866 Fax: +86-755-8427 6832

Email & Skype: info@chipsmall.com Web: www.chipsmall.com

Address: A1208, Overseas Decoration Building, #122 Zhenhua RD., Futian, Shenzhen, China



THIS DRAWING IS UNPUBLISHED.

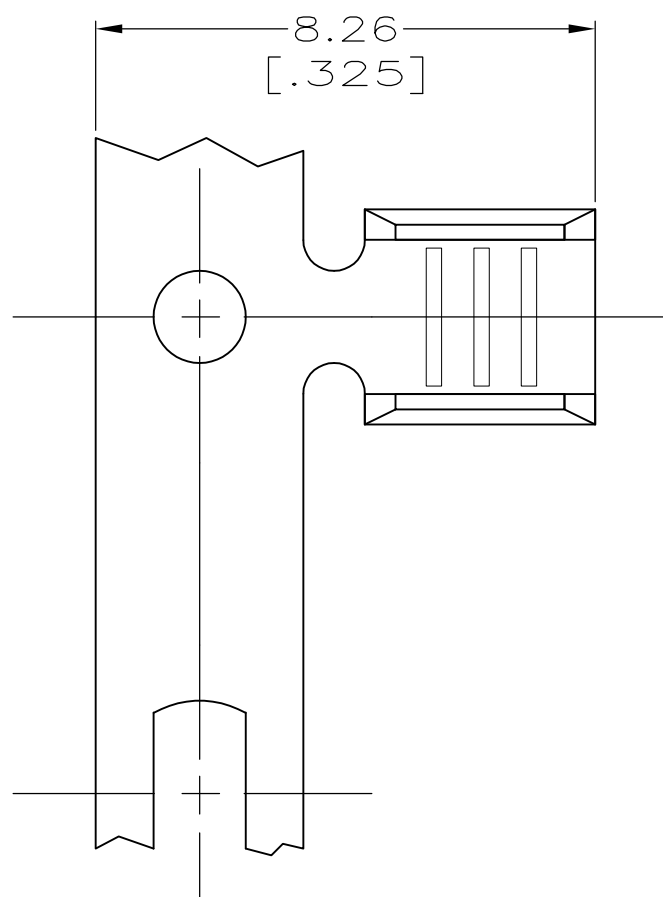
RELEASED FOR PUBLICATION

© COPYRIGHT - By -

ALL RIGHTS RESERVED.

LOC	DIST	REVISIONS			
P	LTR	DESCRIPTION	DATE	DWN	APVD
AF	50	L2	REVISED PER ECO-11-004820	11MAR11	RK HMR

6 OBSOLETE PARTS: OBSOLETE CIS STREAMLINING PER D.RENAUD/D.SINISI

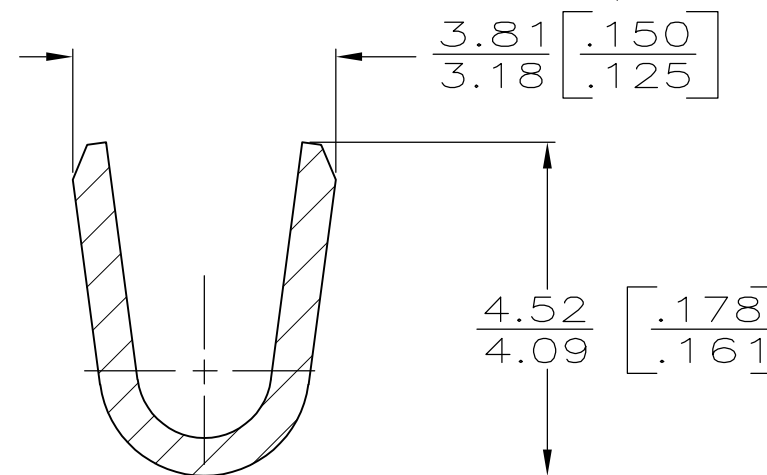


1 PRODUCT PROVIDED IN STRIP FORM ON REELS, BREAKS MAY BE PRESENT.

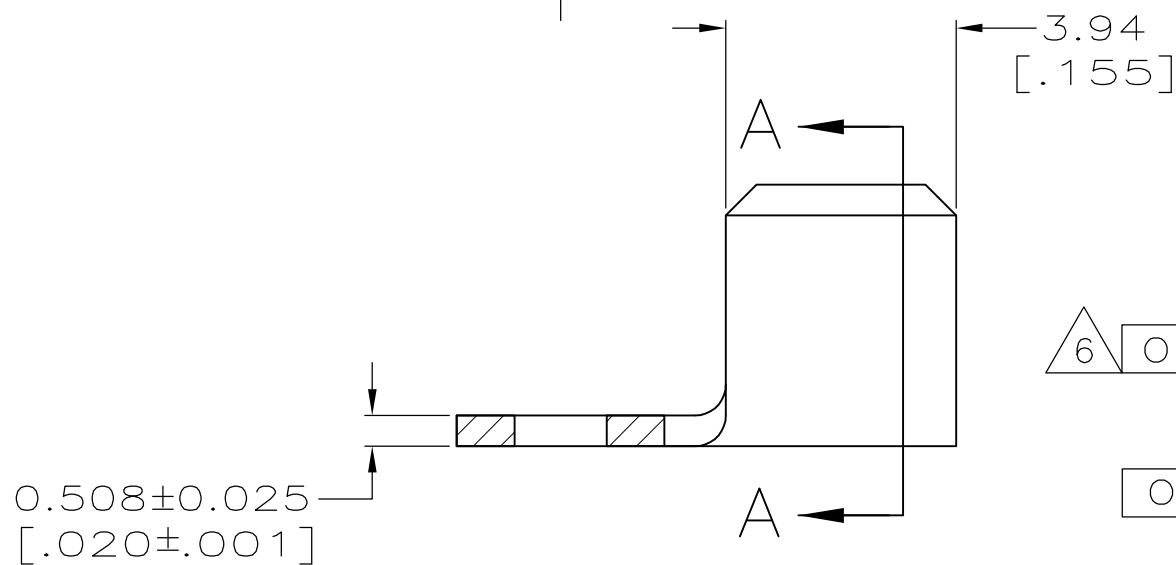
3 CRIMP WIDTH, .110 F TYPE
CRIMP HEIGHT (±.002) = (TOTAL CMA + 11,300) / 176,700

4 PRELIMINARY - NOT FOR PRODUCTION.

5 WIRE RANGE FOR NEW APPLICATIONS: 1500-5000 CMA
(WIRE RANGE APPROVED FOR APPLICATIONS IMPLEMENTED PRIOR TO 2005: 1970-4940 CMA).



SECTION A-A
SCALE 10:1



MATERIAL	FINISH	REELING	WIRE RANGE	PART NUMBER
1010 STEEL	NICKEL	REVERSE	-	4 63130-8
H02 COPPER-NICKEL	NONE			4 63130-7
6 OBSOLETE H02 PHOS BRONZE	TIN	-	-	5 63130-4
082 BRASS	NONE			3 63130-3
OBSOLETE	NONE	STANDARD	-	3 63130-2
				4 63130-1

THIS DRAWING IS A CONTROLLED DOCUMENT.

DWN 17/JAN/96 PHILLIP M FORTNEY
CHK 17/JAN/96 JEFF R RUTH
APVD 17/JAN/96 DENNIS SCHWENK

STE TE Connectivity

PRODUCT SPEC - SPLICE

APPLICATION SPEC 114-2088

SIZE A3 CAGE CODE 00779 DRAWING NO C-63130 RESTRICTED TO -

MATERIAL SEE TABLE FINISH SEE TABLE WEIGHT -

CUSTOMER DRAWING SCALE 8:1 SHEET 1 OF 1 REV L2