



Chipsmall Limited consists of a professional team with an average of over 10 year of expertise in the distribution of electronic components. Based in Hongkong, we have already established firm and mutual-benefit business relationships with customers from,Europe,America and south Asia,supplying obsolete and hard-to-find components to meet their specific needs.

With the principle of “Quality Parts,Customers Priority,Honest Operation,and Considerate Service”,our business mainly focus on the distribution of electronic components. Line cards we deal with include Microchip,ALPS,ROHM,Xilinx,Pulse,ON,Everlight and Freescale. Main products comprise IC,Modules,Potentiometer,IC Socket,Relay,Connector.Our parts cover such applications as commercial,industrial, and automotives areas.

We are looking forward to setting up business relationship with you and hope to provide you with the best service and solution. Let us make a better world for our industry!



Contact us

Tel: +86-755-8981 8866 Fax: +86-755-8427 6832

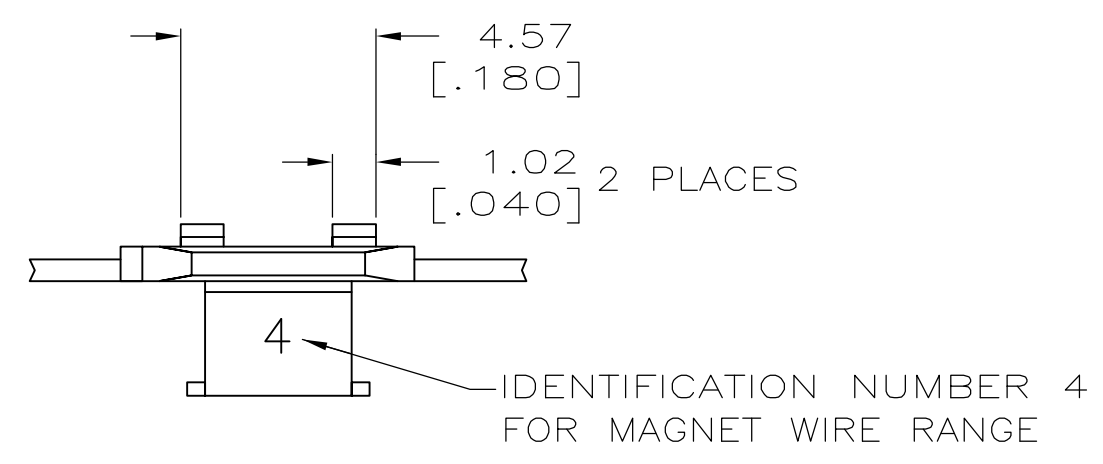
Email & Skype: info@chipsmall.com Web: www.chipsmall.com

Address: A1208, Overseas Decoration Building, #122 Zhenhua RD., Futian, Shenzhen, China

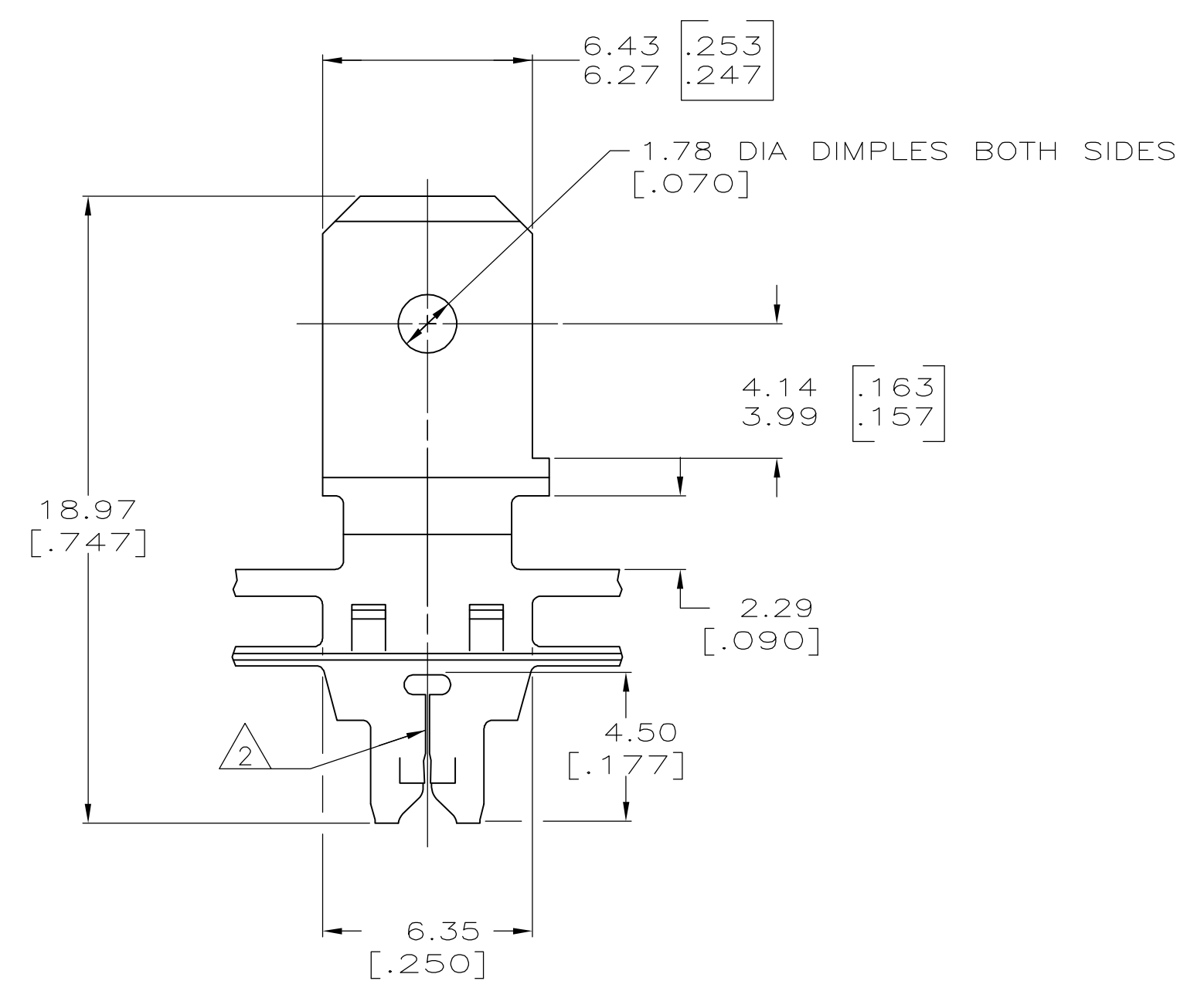
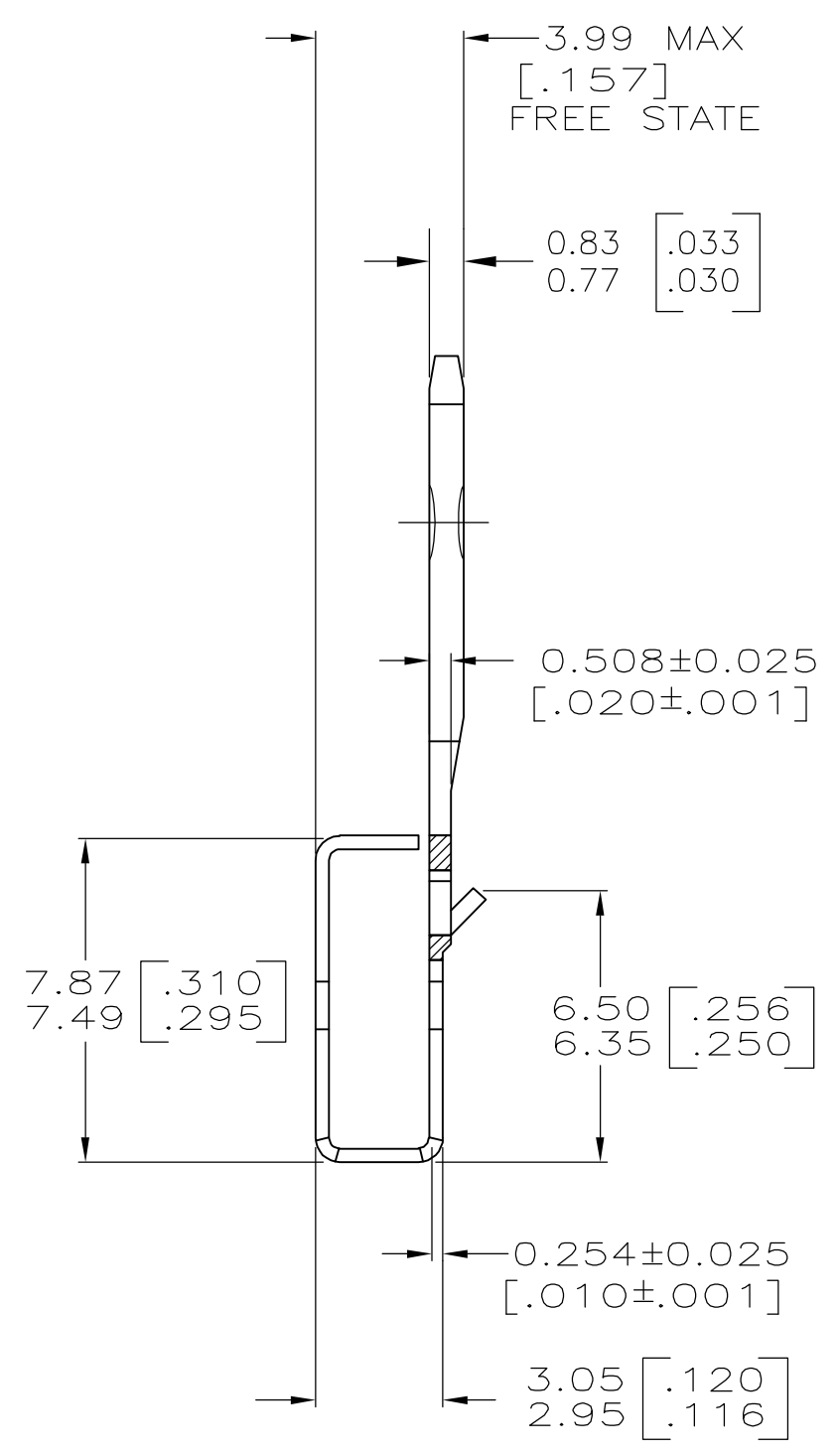
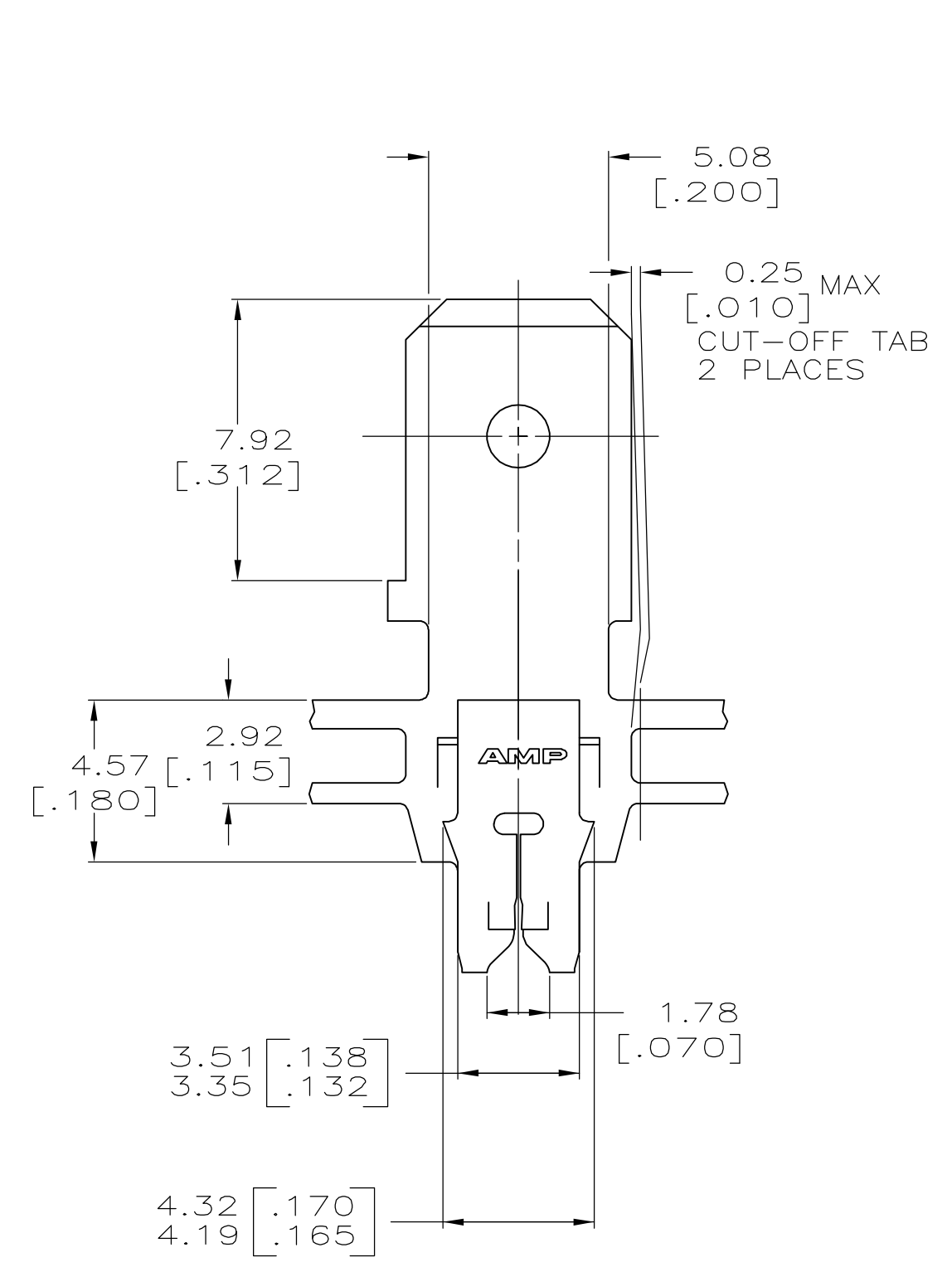


THIS DRAWING IS UNPUBLISHED. RELEASED FOR PUBLICATION
 © COPYRIGHT BY TYCO ELECTRONICS CORPORATION. ALL RIGHTS RESERVED.

LOC	DIST	REVISIONS			
P	LTR	DESCRIPTION	DATE	DWN	APVD
AF	50	J	REVISED PER ECR-06-010412	07NOV06	HMR KR



- 1 CONTINUOUS STRIP ON REELS WITH TERMINALS LOCATED ON 8.38 ± 0.08 [.330 ± .003] CENTERS.
- 2 SLOT ACCEPTS 0.18-0.23mm [#33-#31] AWG COPPER MAGNET WIRE.
2 WIRES OF THE SAME SIZE MAX PER SLOT.
- 3 0.002032 [.000080] MIN TIN PLATE.



OBSOLETE	3	082 PRE-MILLED BRASS	63133-3
	2	4M PRE-MILLED BRASS	63133-2
	3	4M PRE-MILLED BRASS	63133-1
	FINISH	MATERIAL	PART NO

THIS DRAWING IS A CONTROLLED DOCUMENT.

DWN	12/AUG/94		Tyco Electronics Corporation Harrisburg, PA 17105-3608
CHK	15/AUG/94		
APVD	15/AUG/94	NAME	TAB,
		NELSON E. NEFF	6.35 [.250] FASTON™
		PRODUCT SPEC	300 SERIES MAG-MATE™
		APPLICATION SPEC	
		114-2094	
MATERIAL	FINISH	WEIGHT	SIZE CAGE CODE DRAWING NO RESTRICTED TO
SEE TABLE	SEE TABLE	-	A2 00779 C-63133 -
CUSTOMER DRAWING			SCALE 6:1 SHEET 1 OF 1 REV J