



Chipsmall Limited consists of a professional team with an average of over 10 year of expertise in the distribution of electronic components. Based in Hongkong, we have already established firm and mutual-benefit business relationships with customers from,Europe,America and south Asia,supplying obsolete and hard-to-find components to meet their specific needs.

With the principle of “Quality Parts,Customers Priority,Honest Operation,and Considerate Service”,our business mainly focus on the distribution of electronic components. Line cards we deal with include Microchip,ALPS,ROHM,Xilinx,Pulse,ON,Everlight and Freescale. Main products comprise IC,Modules,Potentiometer,IC Socket,Relay,Connector.Our parts cover such applications as commercial,industrial, and automotives areas.

We are looking forward to setting up business relationship with you and hope to provide you with the best service and solution. Let us make a better world for our industry!



Contact us

Tel: +86-755-8981 8866 Fax: +86-755-8427 6832

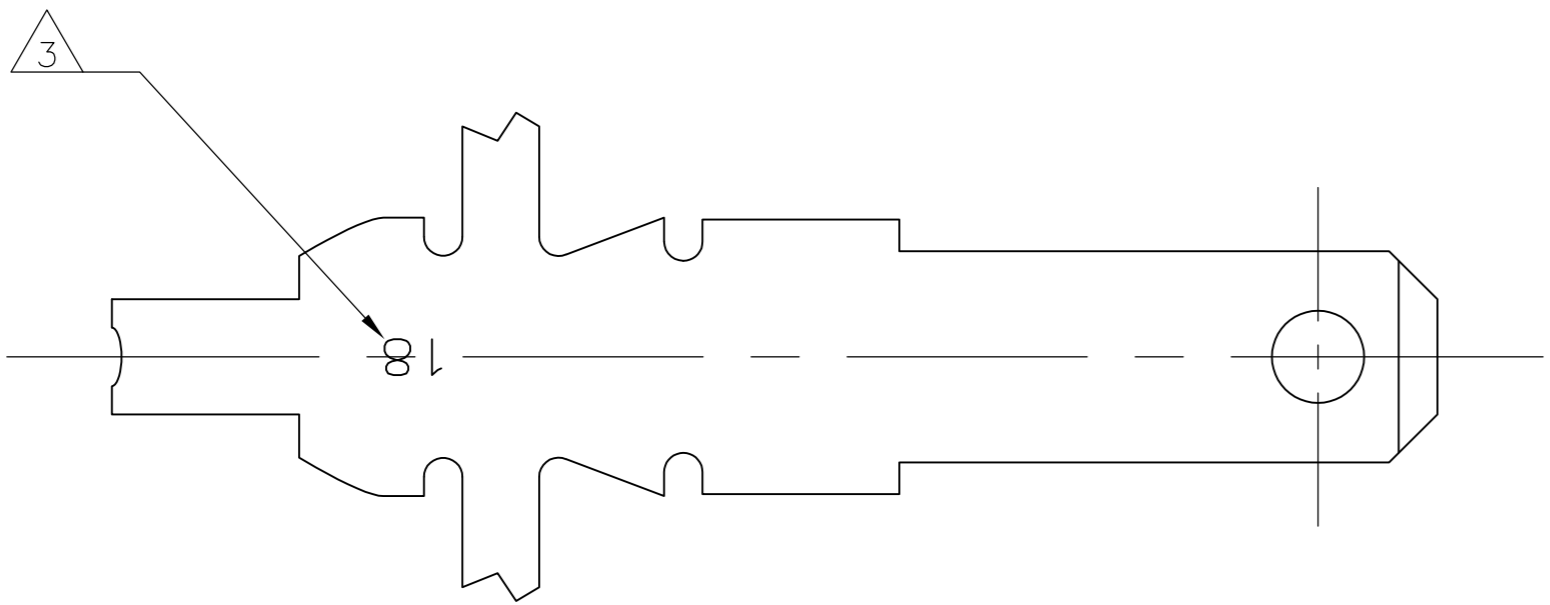
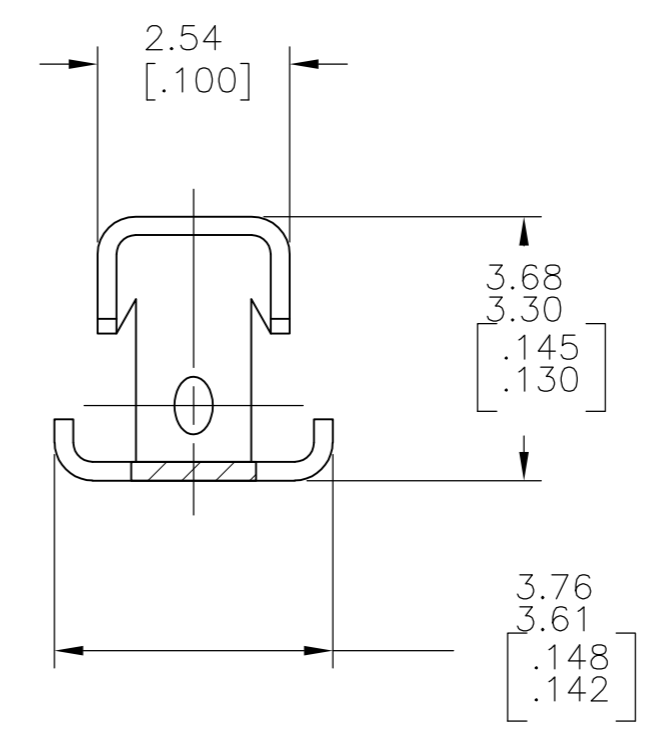
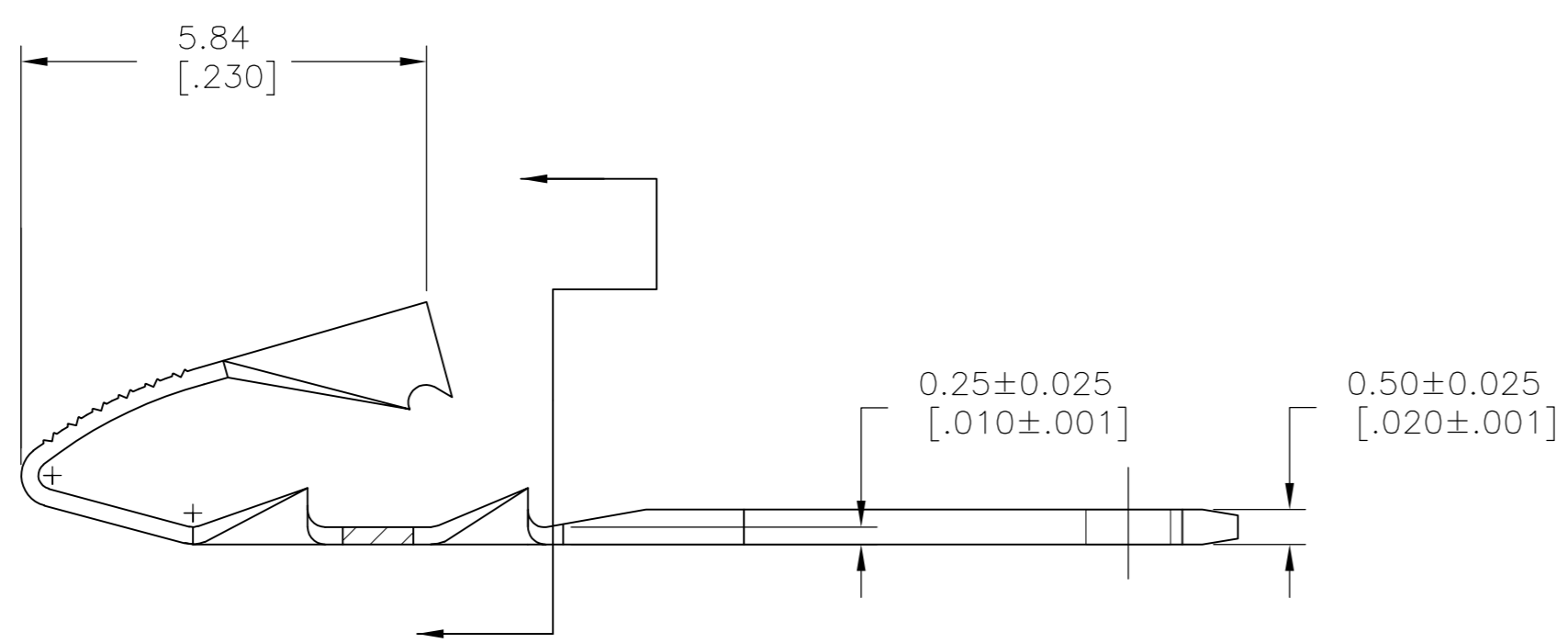
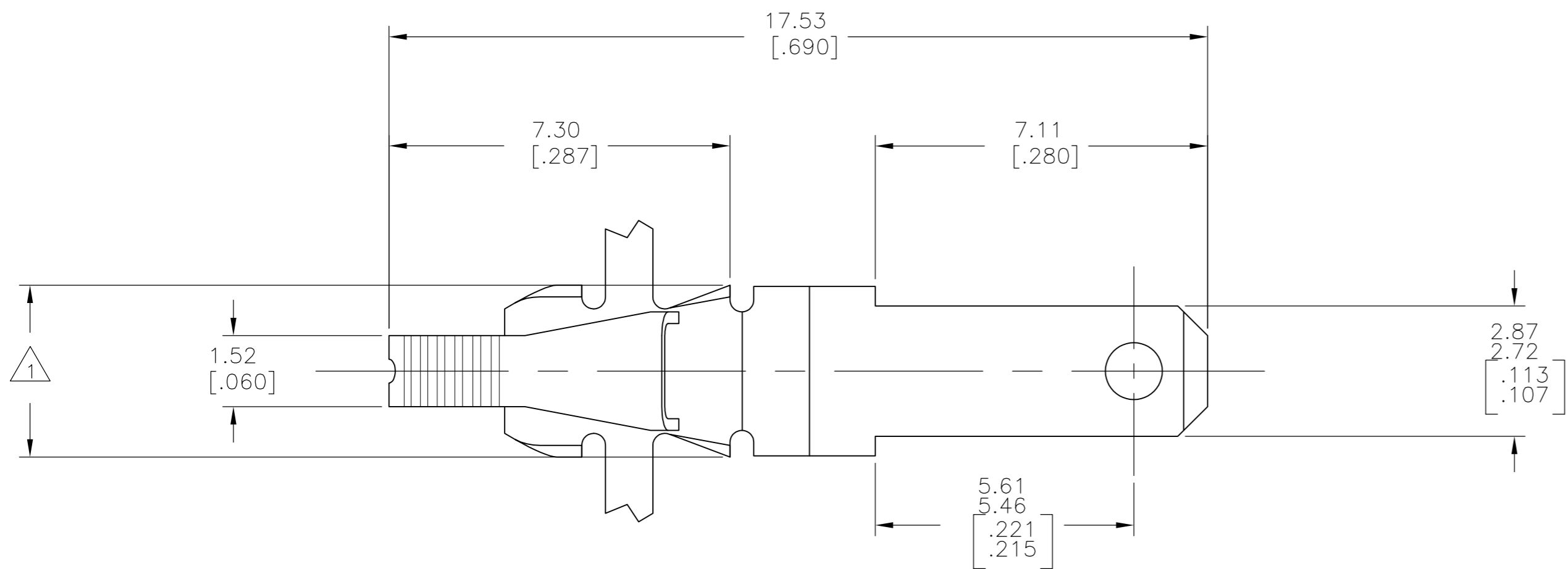
Email & Skype: info@chipsmall.com Web: www.chipsmall.com

Address: A1208, Overseas Decoration Building, #122 Zhenhua RD., Futian, Shenzhen, China



THIS DRAWING IS UNPUBLISHED. RELEASED FOR PUBLICATION
 © COPYRIGHT - By - ALL RIGHTS RESERVED.

LOC	DIST	REVISIONS					
		P	LTR	DESCRIPTION	DATE	DWN	APVD
AF	14						
		M1		REVISED PER ECR-12-008502	10MAY12	KH	KR



- 1 3.78±0.13[.149±.005] APPLICATOR CUT OFF.
- 2 CONTINUOUS STRIP ON REELS WITH TERMINALS LOCATED ON 6.10[.240] CENTERS.
- 3 IDENTIFICATION NUMBER 18 FOR MAGNET WIRE RANGE.

H04 PRE-MILLED PHOS BRONZE	0.10-0.25[#38-#30] AWG	63161-2
H02 PRE-MILLED BRASS	0.10-0.25[#38-#30] AWG	63161-1
MATERIAL	MAGNET WIRE RANGE	PART NUMBER

THIS DRAWING IS A CONTROLLED DOCUMENT.		DWN M.S. FEHER 2/3/92												
DIMENSIONS: mm [INCHES]		CHK P.M. FORTNEY 2/3/92												
TOLERANCES UNLESS OTHERWISE SPECIFIED: MAGNET		APVD N.E. NEFF 2/4/92												
<table border="1"> <tr><td>0 PLC</td><td>± -</td></tr> <tr><td>1 PLC</td><td>± -</td></tr> <tr><td>2 PLC</td><td>± 0.25[.010]</td></tr> <tr><td>3 PLC</td><td>± -</td></tr> <tr><td>4 PLC</td><td>± -</td></tr> <tr><td>ANGLES</td><td>± 1°</td></tr> </table>		0 PLC			± -	1 PLC	± -	2 PLC	± 0.25[.010]	3 PLC	± -	4 PLC	± -	ANGLES
0 PLC	± -													
1 PLC	± -													
2 PLC	± 0.25[.010]													
3 PLC	± -													
4 PLC	± -													
ANGLES	± 1°													
MATERIAL SEE TABLE	FINISH 0.002032[.000080] MIN TIN	PRODUCT SPEC 108-2016 APPLICATION SPEC 114-2047	SIZE A2	CAGE CODE 00779	DRAWING NO C=63161	RESTRICTED TO -								
CUSTOMER DRAWING			SCALE 10:1	SHEET 1 of 1	REV M1									