



Chipsmall Limited consists of a professional team with an average of over 10 year of expertise in the distribution of electronic components. Based in Hongkong, we have already established firm and mutual-benefit business relationships with customers from,Europe,America and south Asia,supplying obsolete and hard-to-find components to meet their specific needs.

With the principle of “Quality Parts,Customers Priority,Honest Operation,and Considerate Service”,our business mainly focus on the distribution of electronic components. Line cards we deal with include Microchip,ALPS,ROHM,Xilinx,Pulse,ON,Everlight and Freescale. Main products comprise IC,Modules,Potentiometer,IC Socket,Relay,Connector.Our parts cover such applications as commercial,industrial, and automotives areas.

We are looking forward to setting up business relationship with you and hope to provide you with the best service and solution. Let us make a better world for our industry!



## Contact us

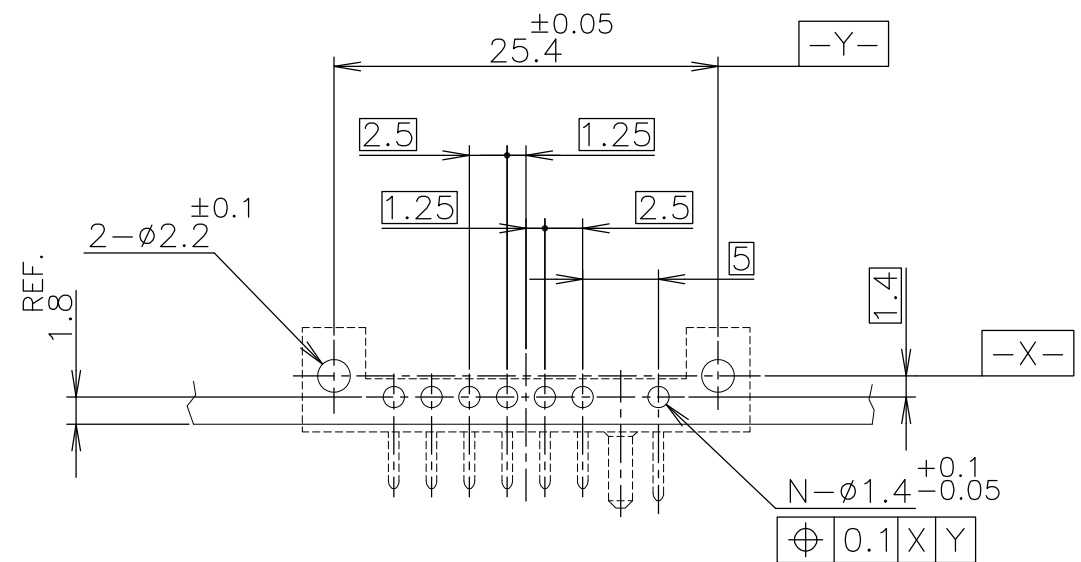
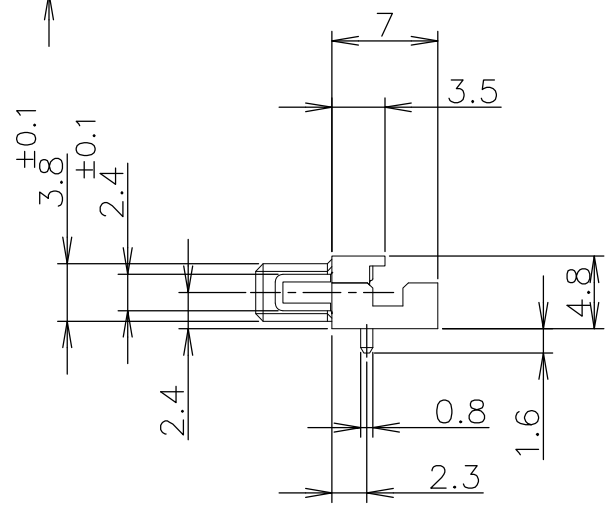
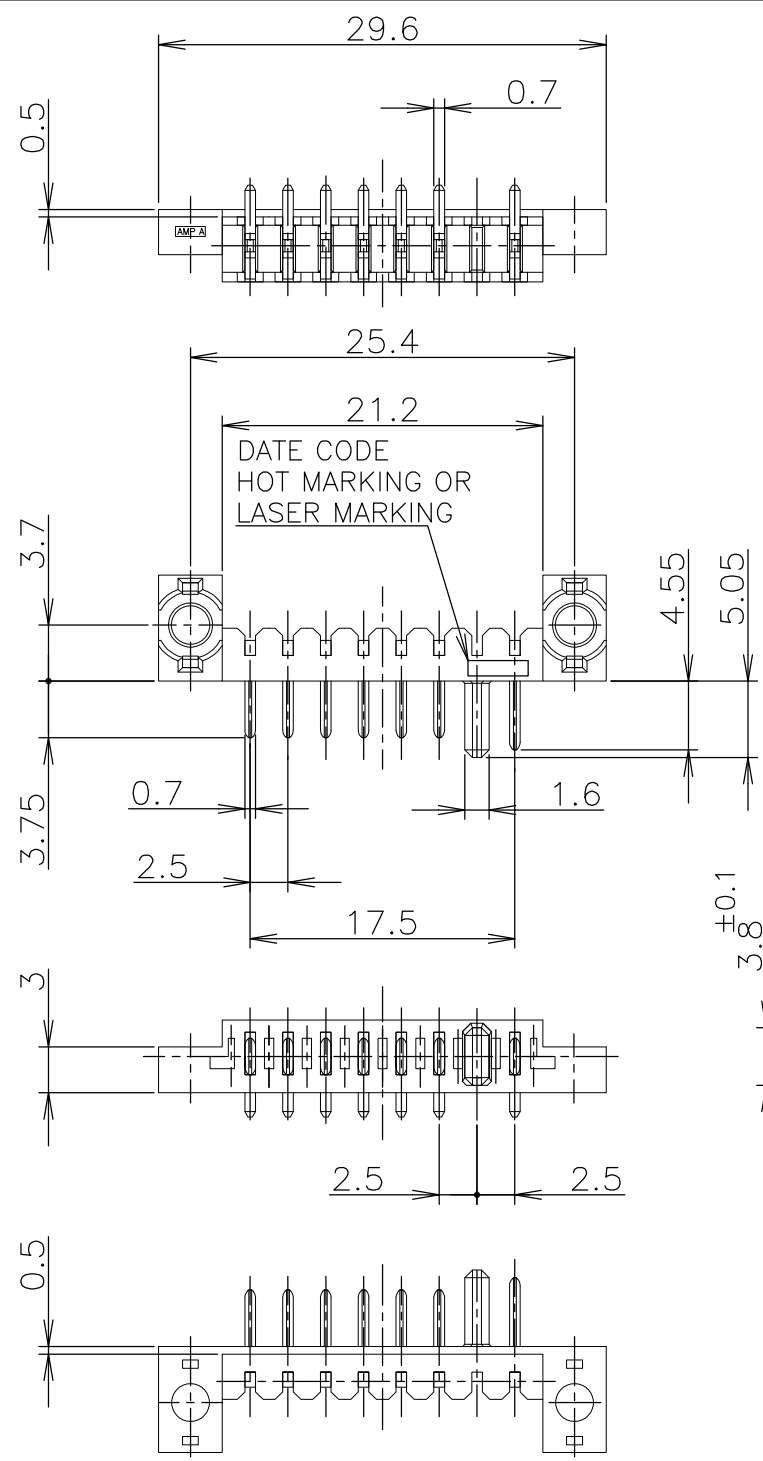
Tel: +86-755-8981 8866 Fax: +86-755-8427 6832

Email & Skype: info@chipsmall.com Web: www.chipsmall.com

Address: A1208, Overseas Decoration Building, #122 Zhenhua RD., Futian, Shenzhen, China



LOC	DIST	REVISIONS					
J	/	P	LTR	DESCRIPTION	DATE	DWN	APVD
		B		REVISED	ECR-11-017249	19AUG2011	T.K T.K



基板取付推奨寸法  
RECOMMENDED P.C. BOARD LAYOUT  
P.C. BOARD THK 0.8~1.2  
(VIEW FROM CONNECTOR MOUNTING SIDE)

- ① 材料 ハウジング : 熱可塑性樹脂 UL94V-0  
色 ; 黒  
コンタクト : 銅合金
- ② 仕上げ コンタクト : Ni 下地めっき  
接触部 Pd-Niめっき  
接触部 Au フラッシュめっき  
半田付け部 Au フラッシュめっき

- ① MATERIAL HOUSING : THERMOPLASTIC RESIN, UL94V-0  
COLOR ; BLACK  
CONTACT : COPPER ALLOY
- ② FINISH CONTACT : Ni ALL OVER UNDER PL  
Pd-Ni PL. AT CONTACT AREA  
Au FLASH PL. AT CONTACT AREA  
Au FLASH PL. AT LEAD AREA

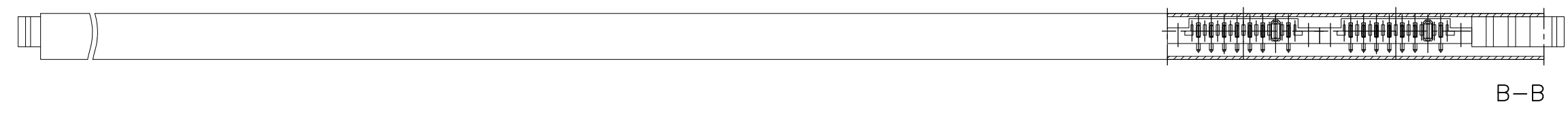
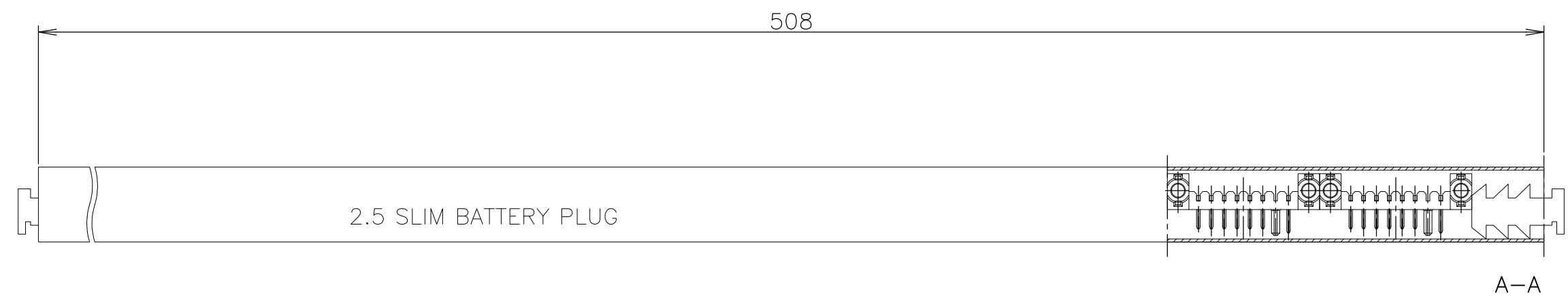
GENERAL TOLERANCE  
一般公差

10 ≥ : ±0.2  
30 ≥ > 10 : ±0.25  
100 ≥ > 30 : ±0.3  
ANGLES : ±3°

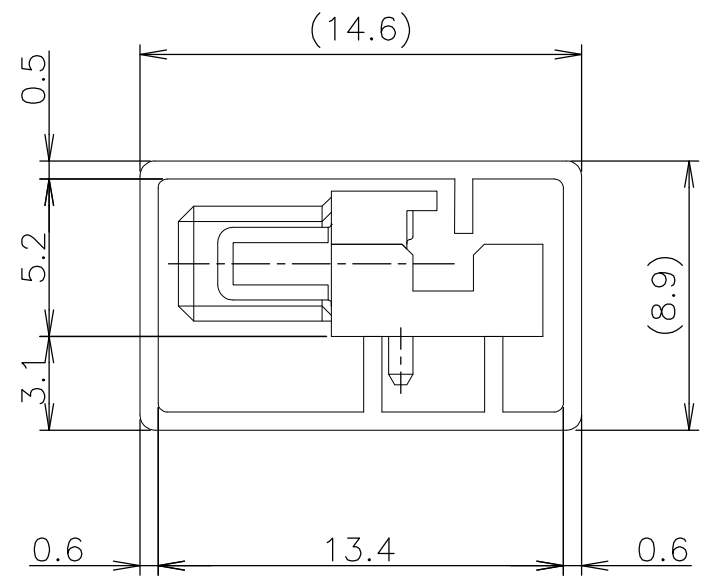
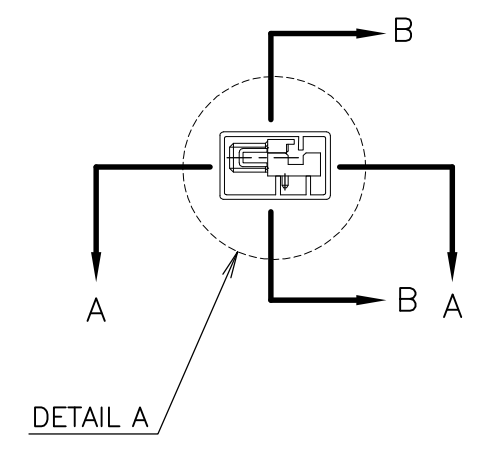
THIS DRAWING IS A CONTROLLED DOCUMENT.		DWN T.KATANO 08OCT04	TE Connectivity	
DIMENSIONS: 単位: 耗 MM		CHK T.KIMURA 08OCT04		
TOLERANCES UNLESS OTHERWISE SPECIFIED: 一般公差		APVD K.IKEGAMI 08OCT04	NAME 名称 PLUG ASSEMBLY	
0 PLC ± - 1 PLC ± - 2 PLC ± - 3 PLC ± - 4 PLC ± - ANGLES ± -		PRODUCT SPEC 製品規格 108-78211	2.5mm PITCH BATTERY CONNECTOR REVERSE SEQUENTIAL PIN WITHOUT NUT PLATE	
MATERIAL 材料		APPLICATION SPEC 取付適用規格	SIZE A3	CAGE CODE 00779
FINISH 仕上		WEIGHT	DRAWING NO 番号 G-6318573	RESTRICTED TO
		CUSTOMER DRAWING	SCALE 尺度 2:1	SHEET 1 OF 2
			REV B	

THIS DRAWING IS UNPUBLISHED. RELEASED FOR PUBLICATION OCT. 2004.  
 © COPYRIGHT 2004 By - ALL RIGHTS RESERVED.

LOC	DIST	REVISIONS 変更					
J		P	LTR	DESCRIPTION	DATE	DWN	APVD
		-		SEE SHEET 1	-	-	-



チューブパック参考図  
 REFERENCE PICTURE OF TUBE PACK



DETAIL A  
 SCALE 4:1

GENERAL TOLERANCE  
 一般公差

10 ≥ : ±0.2  
 30 ≥ > 10 : ±0.25  
 100 ≥ > 30 : ±0.3  
 ANGLES: ±3°

THIS DRAWING IS A CONTROLLED DOCUMENT.		DWN	TE Connectivity PLUG ASSEMBLY 2.5mm PITCH BATTERY CONNECTOR REVERSE SEQUENTIAL PIN WITHOUT NUT PLATE						
DIMENSIONS: 単位: 耗 MM		CHK				NAME 名称			
TOLERANCES UNLESS OTHERWISE SPECIFIED: 一般公差		APVD				SIZE	CAGE CODE	DRAWING NO 番号	RESTRICTED TO
0 PLC ± 1 PLC ± 2 PLC ± 3 PLC ± 4 PLC ± ANGLES ±		PRODUCT SPEC 製品規格				A3	00779	G-6318573	
MATERIAL 材料		FINISH 仕上	WEIGHT	CUSTOMER DRAWING		SCALE 尺度 1:1	SHEET 2 OF 2	REV B	

16ea	7	6318573-4
QTY TUBE	N (POS)	P/N