



Chipsmall Limited consists of a professional team with an average of over 10 year of expertise in the distribution of electronic components. Based in Hongkong, we have already established firm and mutual-benefit business relationships with customers from,Europe,America and south Asia,supplying obsolete and hard-to-find components to meet their specific needs.

With the principle of “Quality Parts,Customers Priority,Honest Operation,and Considerate Service”,our business mainly focus on the distribution of electronic components. Line cards we deal with include Microchip,ALPS,ROHM,Xilinx,Pulse,ON,Everlight and Freescale. Main products comprise IC,Modules,Potentiometer,IC Socket,Relay,Connector.Our parts cover such applications as commercial,industrial, and automotives areas.

We are looking forward to setting up business relationship with you and hope to provide you with the best service and solution. Let us make a better world for our industry!



Contact us

Tel: +86-755-8981 8866 Fax: +86-755-8427 6832

Email & Skype: info@chipsmall.com Web: www.chipsmall.com

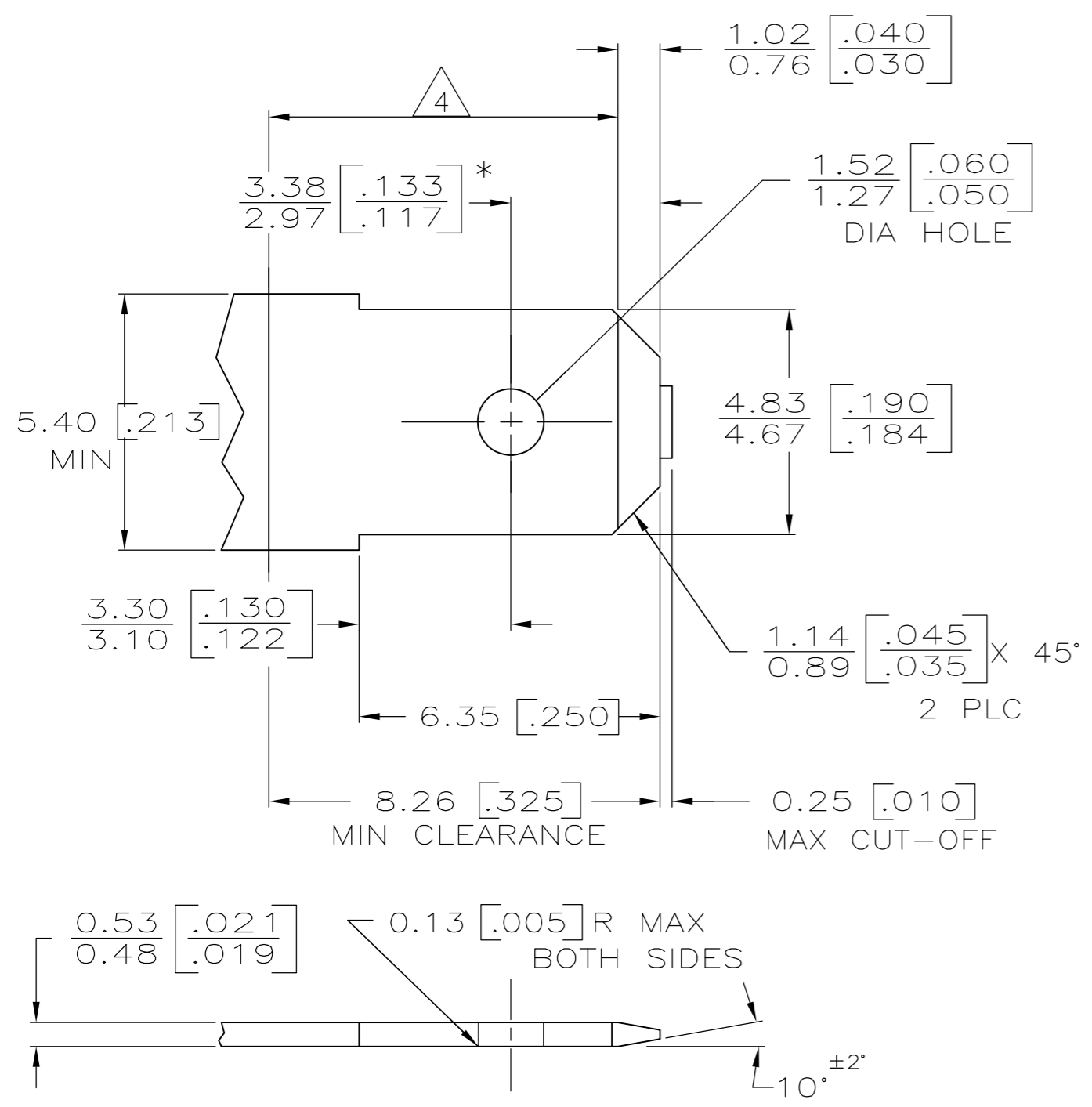
Address: A1208, Overseas Decoration Building, #122 Zhenhua RD., Futian, Shenzhen, China



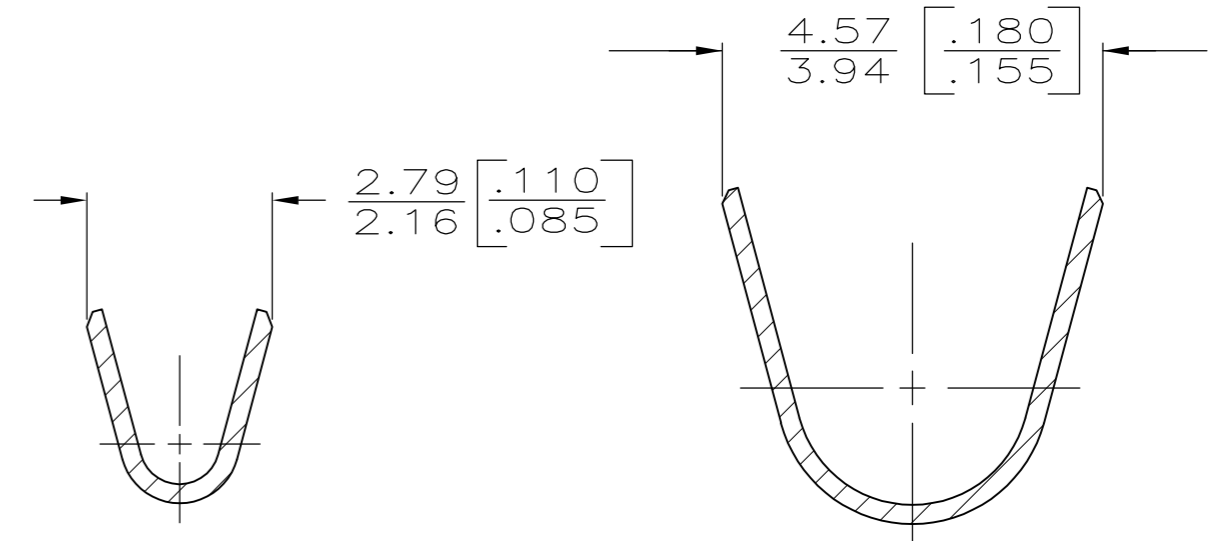
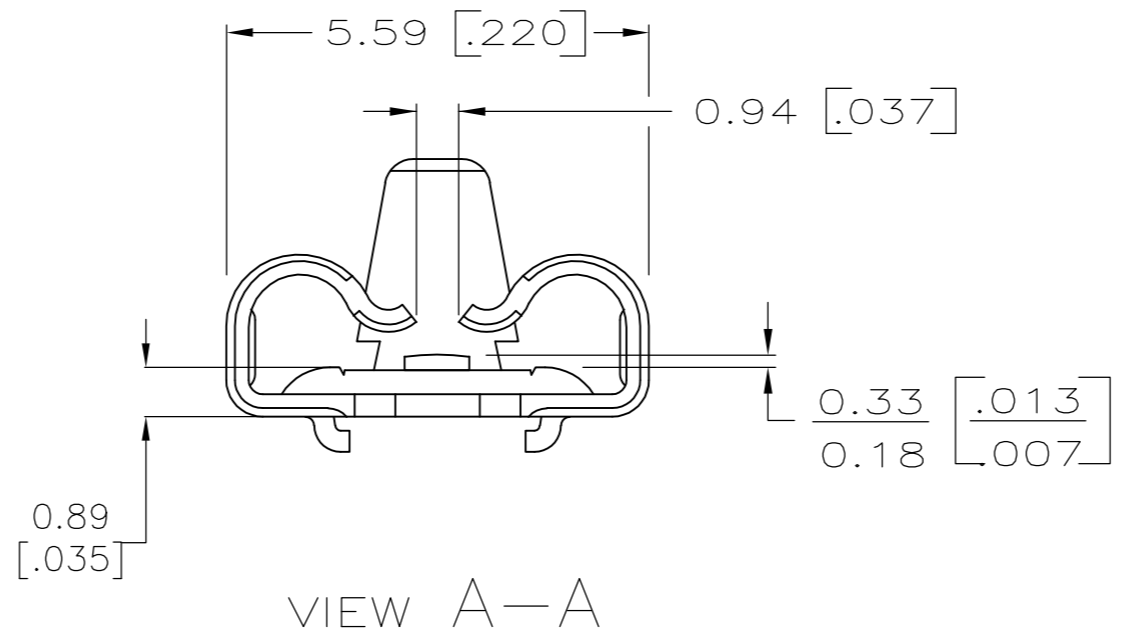
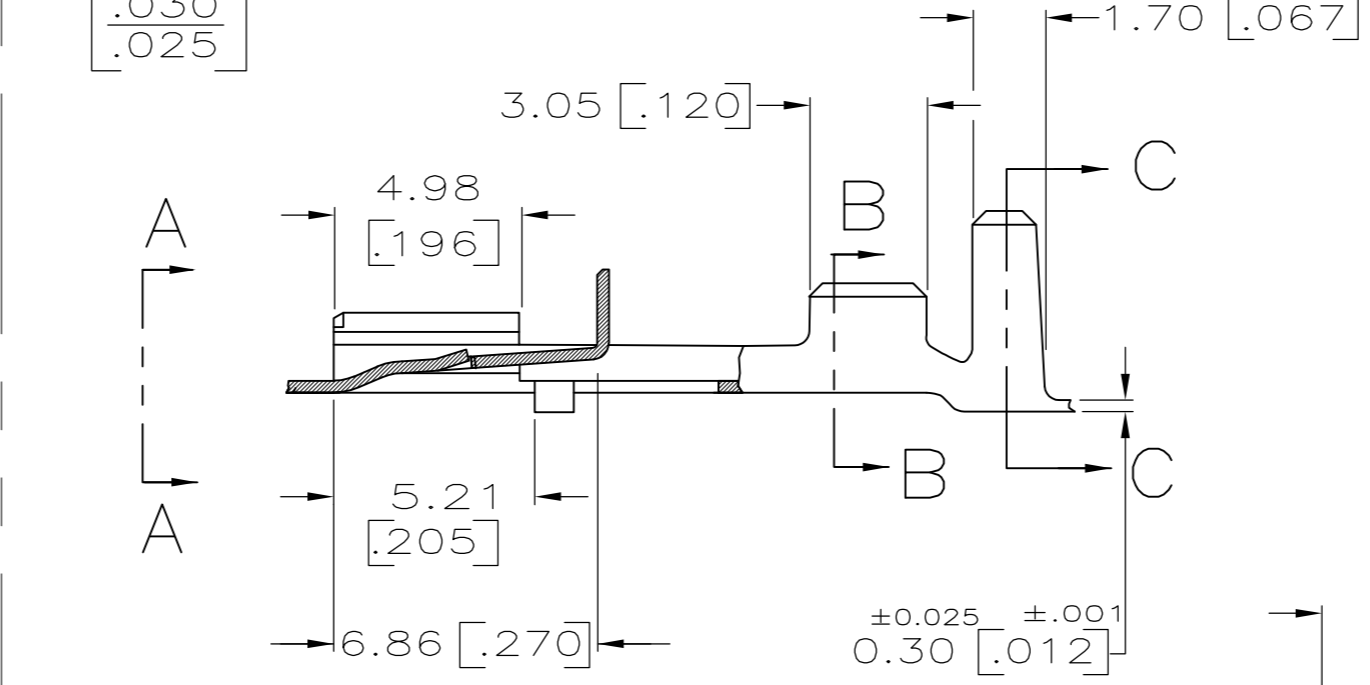
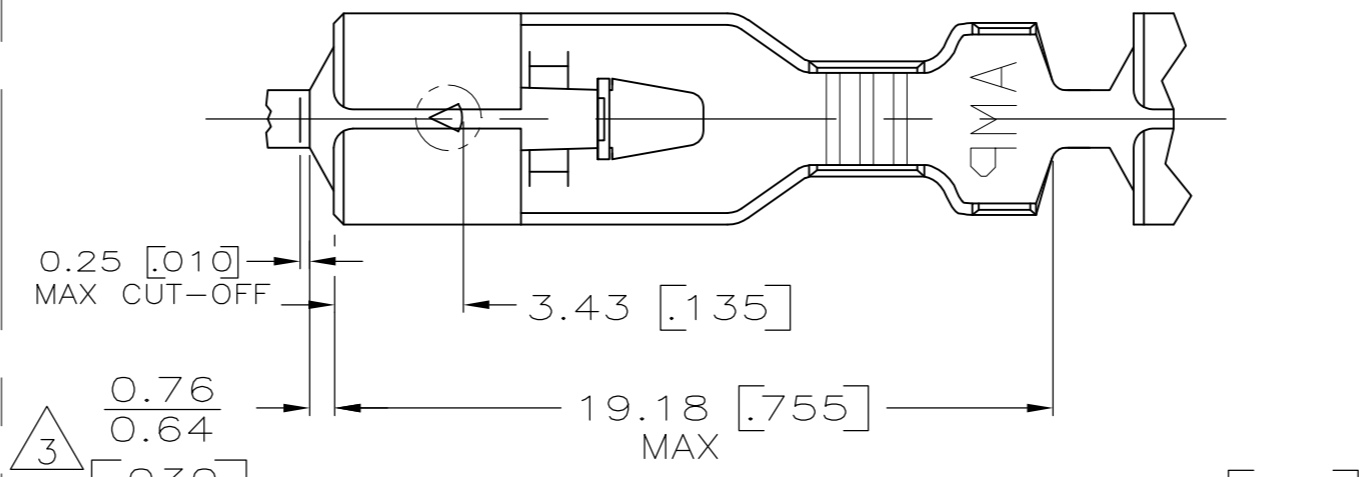
THIS DRAWING IS UNPUBLISHED. RELEASED FOR PUBLICATION
 © COPYRIGHT - By - ALL RIGHTS RESERVED.

LOC		DIST		REVISIONS			
P	LTR	DESCRIPTION		DATE	DWN	APVD	
AF	50	J5		REVISED PER ECR-12-013486	06JAN13	KH	KR

SUGGESTED MATING TAB



- 1 MATL: #2 HARD BRASS OR NICKEL PLATE STEEL.
- 2 NO BURRS PERMISSIBLE AT HOLE.
- 3 TIN PLATING IS REQUIRED ON BRASS WHEN TERMINAL TEMPERATURE IS OVER 225° F.
- 4 MUST BE FLAT WITHIN 0.076 [0.003] OVER THIS LENGTH.
- 5 HOLE MUST BE SYMMETRICAL ABOUT TAB ϕ WITHIN 0.076 [0.003]
- * TO BE USED ONLY WHEN SHOULDER IS ELIMINATED.



- 1 DIMENSIONS IN BRACKETS ARE IN INCHES.
- 2 CONTINUOUS STRIP ON REELS.
- 3 THE 0.76 [0.030] / 0.64 [0.025] DIMENSION MUST BE MAINTAINED BY THE APPLICATOR CUT-OFF TO ENSURE THE PROPER LOCKING FUNCTION OF THE RECEPTACLE.
- 4 WIRE SIZE IS FOR A [#24-#20] AWG.
- 5 INSULATION RANGE IS 1.52-2.79 [0.060-.110] DIA.
- 6 GOLD PLATE 0.00127 [0.000050] MIN THK OVER 0.00127 [0.000050] MIN NICKEL PL.
- 7 GOLD FLASH PL. 0.00012 [0.000005] MIN THK OVER 0.00127 [0.000050] MIN NICKEL PL
- 8 PRELIMINARY - NOT FOR PRODUCTION

GOLD / NICKEL	MATERIAL	PART NO.
GOLD / NICKEL 7	BRASS	63196-5
---	BRASS	63196-4
GOLD / NICKEL 6	BRASS	63196-3
PRE-TIN	BRASS	63196-2
TIN	BRASS	63196-1
FINISH	MATERIAL	PART NO.

THIS DRAWING IS A CONTROLLED DOCUMENT.		DWN	JR RUTH	2/28/87		TE Connectivity							
DIMENSIONS: mm [INCHES]		CHK	G YETTER	3/9/87		RECEPTACLE, POSITIVE LOCK, .187 SERIES							
TOLERANCES UNLESS OTHERWISE SPECIFIED:		APVD	R KUZO	3/9/87		SIZE	A2	CAGE CODE	00779	DRAWING NO	C=63196	RESTRICTED TO	-
0 PLC ± -		PRODUCT SPEC				SCALE	5:1	SHEET	1 of 1	REV	J5		
1 PLC ± -		APPLICATION SPEC			CUSTOMER DRAWING								
2 PLC ± -													
3 PLC ± 0.25 .010													
4 PLC ± -													
ANGLES ± -													
MATERIAL SEE TABLE													
FINISH SEE TABLE													