



Chipsmall Limited consists of a professional team with an average of over 10 year of expertise in the distribution of electronic components. Based in Hongkong, we have already established firm and mutual-benefit business relationships with customers from,Europe,America and south Asia,supplying obsolete and hard-to-find components to meet their specific needs.

With the principle of “Quality Parts,Customers Priority,Honest Operation,and Considerate Service”,our business mainly focus on the distribution of electronic components. Line cards we deal with include Microchip,ALPS,ROHM,Xilinx,Pulse,ON,Everlight and Freescale. Main products comprise IC,Modules,Potentiometer,IC Socket,Relay,Connector.Our parts cover such applications as commercial,industrial, and automotives areas.

We are looking forward to setting up business relationship with you and hope to provide you with the best service and solution. Let us make a better world for our industry!



Contact us

Tel: +86-755-8981 8866 Fax: +86-755-8427 6832

Email & Skype: info@chipsmall.com Web: www.chipsmall.com

Address: A1208, Overseas Decoration Building, #122 Zhenhua RD., Futian, Shenzhen, China



THIS DRAWING IS UNPUBLISHED. RELEASED FOR PUBLICATION
 © COPYRIGHT - By - ALL RIGHTS RESERVED.

LOC		DIST		REVISIONS			
P	LTR	DESCRIPTION		DATE	DWN	APVD	
AF	50	G2	ECR-13-017177	05NOV13	PKS	RRP	

D

C

B

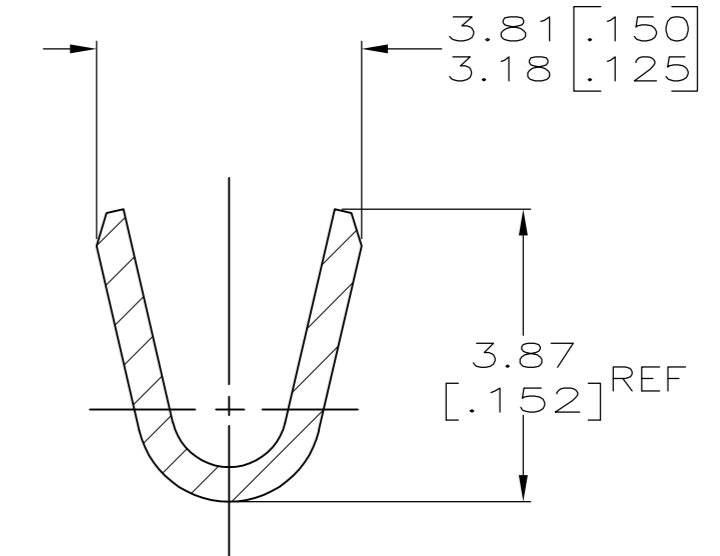
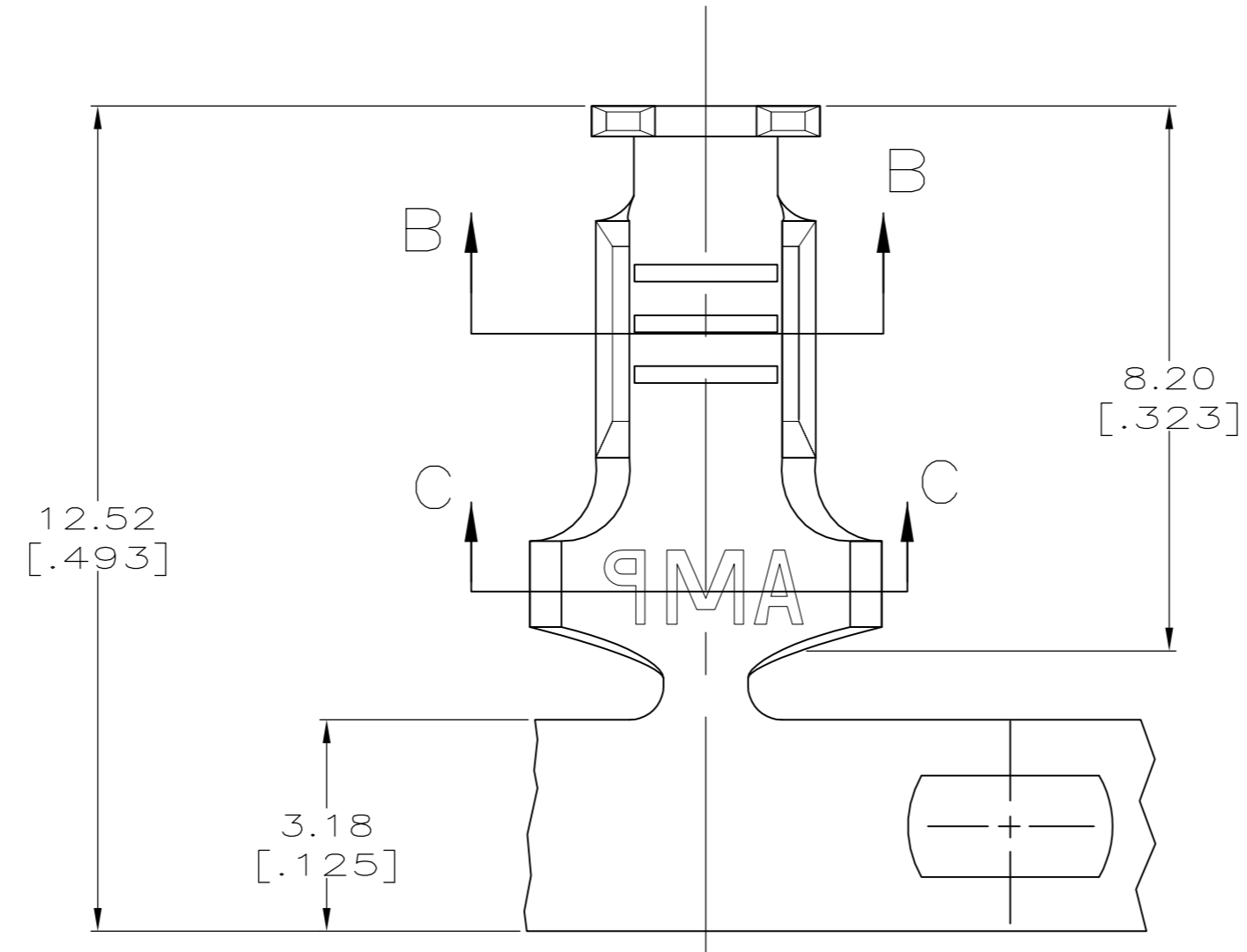
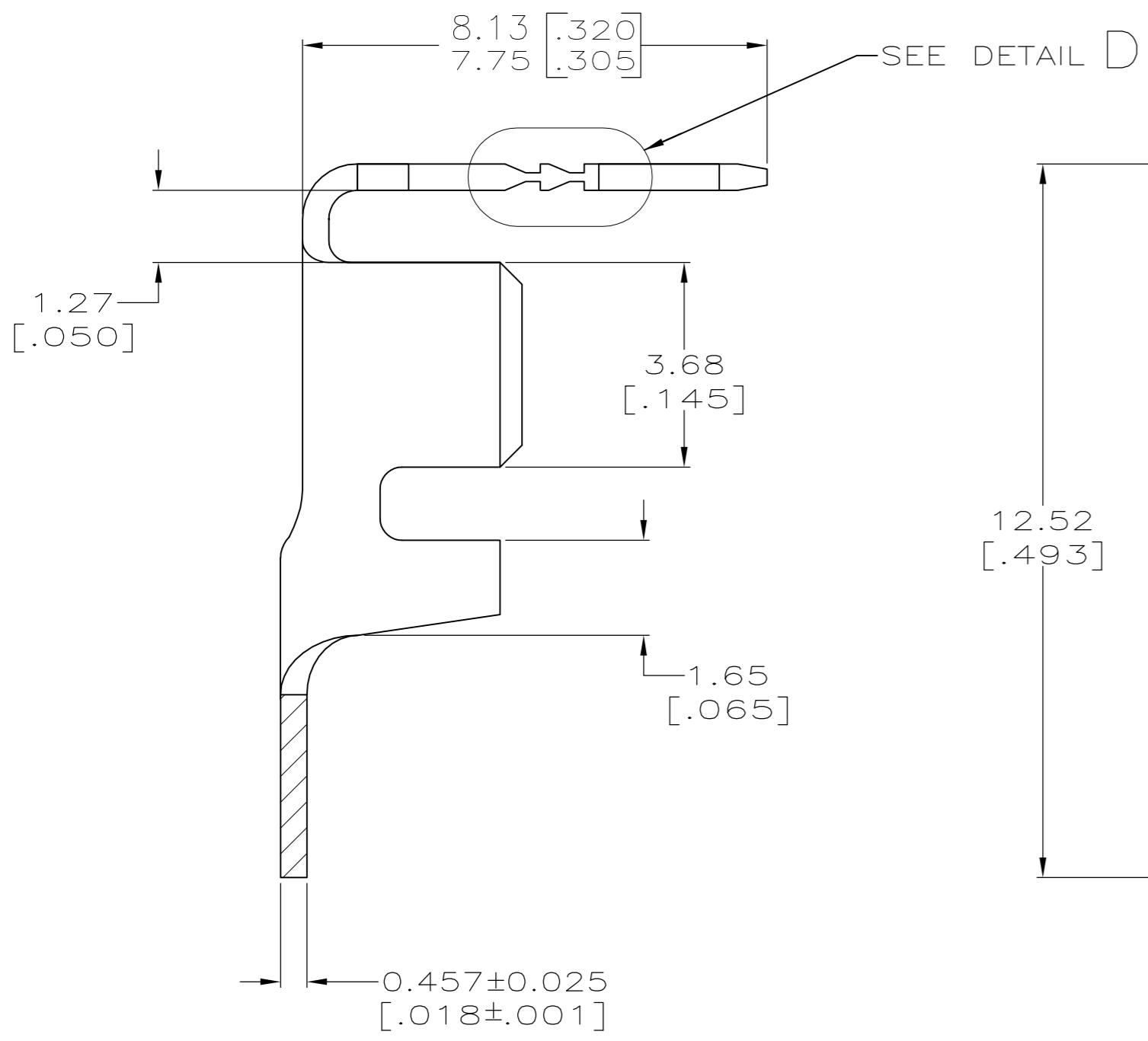
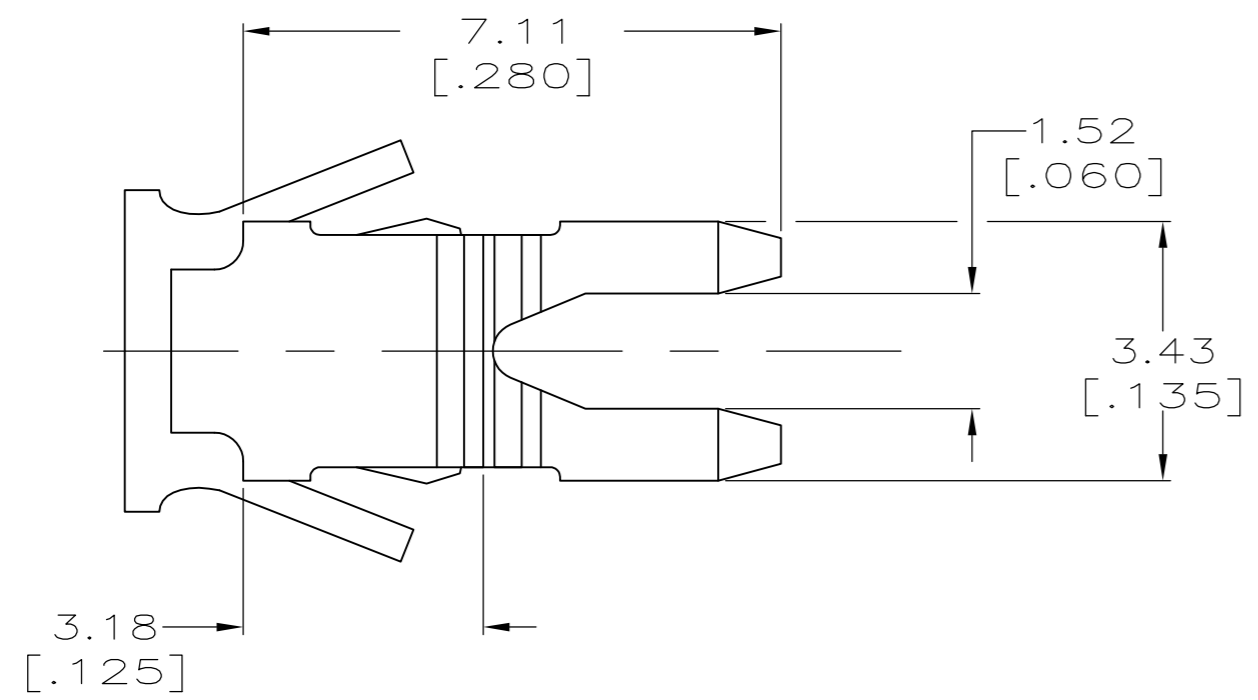
A

D

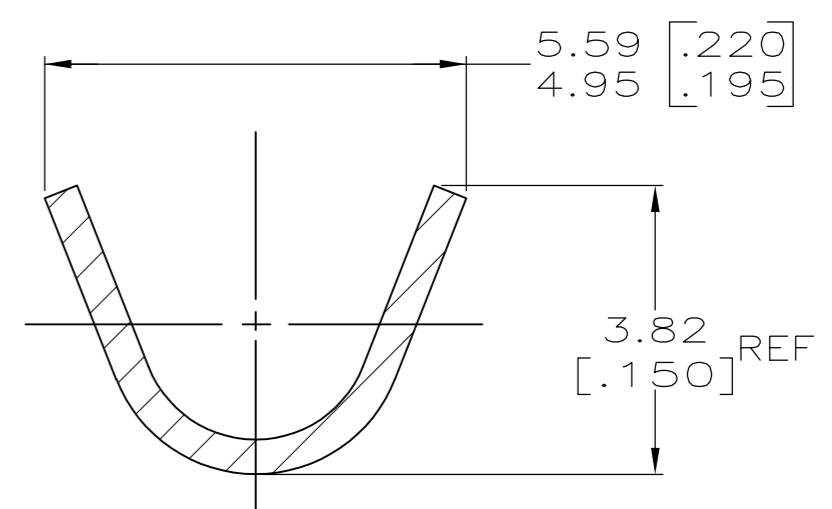
C

B

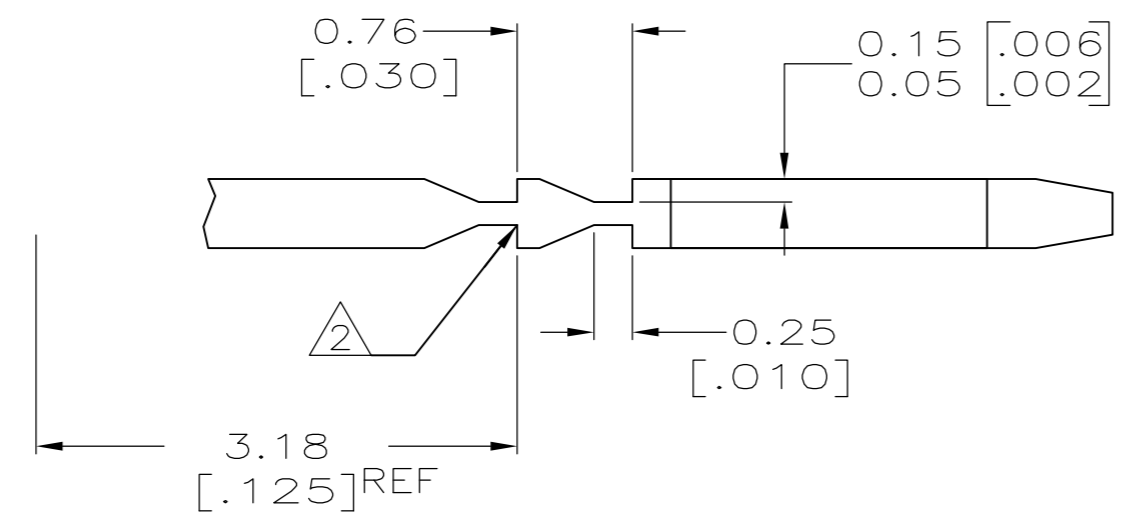
A



SECTION B-B



SECTION C-C



DETAIL D
SCALE 20:1

- 1 CONTINUOUS STRIP ON REELS.
- 2 FOR OPTIMUM RETENTION IN POKE-IN TYPE MAG-MATE TERMINALS. THE SERRATIONS AS SHOWN MUST BE ENGAGED WITH THE EDGE OF THE LEAF.

2.29-3.36 DIA [.090-.140]	#18-#14 AWG	63218-1
INSULATION RANGE	WIRE RANGE	PART NUMBER

THIS DRAWING IS A CONTROLLED DOCUMENT.		DWN MICHAEL S. FEHER 06DEC1999	TE Connectivity	
DIMENSIONS: mm		CHK KURT A. RANDOLPH 07DEC1999	NAME TAB, POKE-IN, MAG-MATE™	
TOLERANCES UNLESS OTHERWISE SPECIFIED: 0 PLC ± - 1 PLC ± - 2 PLC ± 0.25[.010] 3 PLC ± - 4 PLC ± - ANGLES ± -		APVD KURT A. RANDOLPH 07DEC1999	PRODUCT SPEC 108-22045	
MATERIAL BRASS		FINISH PRE-TIN PLATED	APPLICATION SPEC 114-2050	RESTRICTED TO -
CUSTOMER DRAWING		WEIGHT -	SIZE A2	CAGE CODE 00779
		SCALE 10:1	DRAWING NO C=63218	SHEET 1 OF 1
			REV G2	