



Chipsmall Limited consists of a professional team with an average of over 10 year of expertise in the distribution of electronic components. Based in Hongkong, we have already established firm and mutual-benefit business relationships with customers from,Europe,America and south Asia,supplying obsolete and hard-to-find components to meet their specific needs.

With the principle of "Quality Parts,Customers Priority,Honest Operation,and Considerate Service",our business mainly focus on the distribution of electronic components. Line cards we deal with include Microchip,ALPS,ROHM,Xilinx,Pulse,ON,Everlight and Freescale. Main products comprise IC,Modules,Potentiometer,IC Socket,Relay,Connector.Our parts cover such applications as commercial,industrial, and automotives areas.

We are looking forward to setting up business relationship with you and hope to provide you with the best service and solution. Let us make a better world for our industry!



Contact us

Tel: +86-755-8981 8866 Fax: +86-755-8427 6832

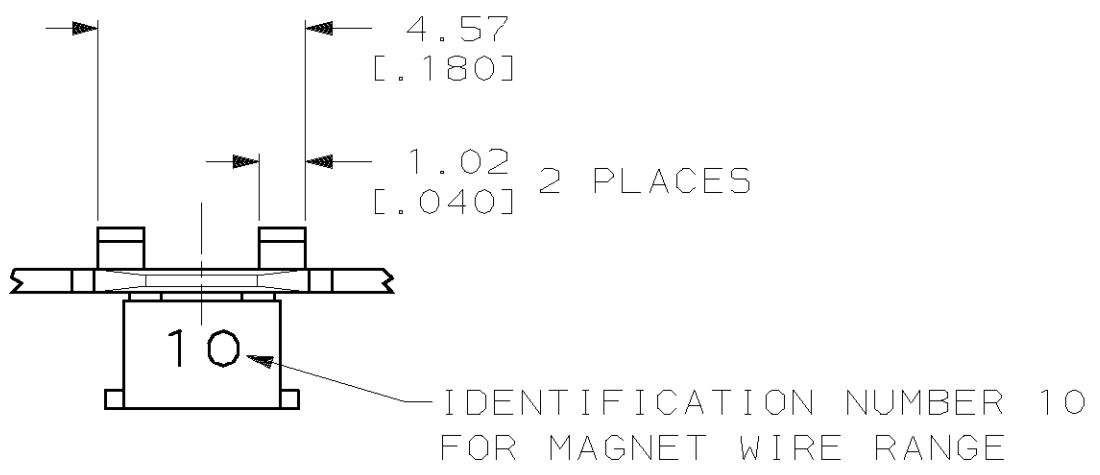
Email & Skype: info@chipsmall.com Web: www.chipsmall.com

Address: A1208, Overseas Decoration Building, #122 Zhenhua RD., Futian, Shenzhen, China

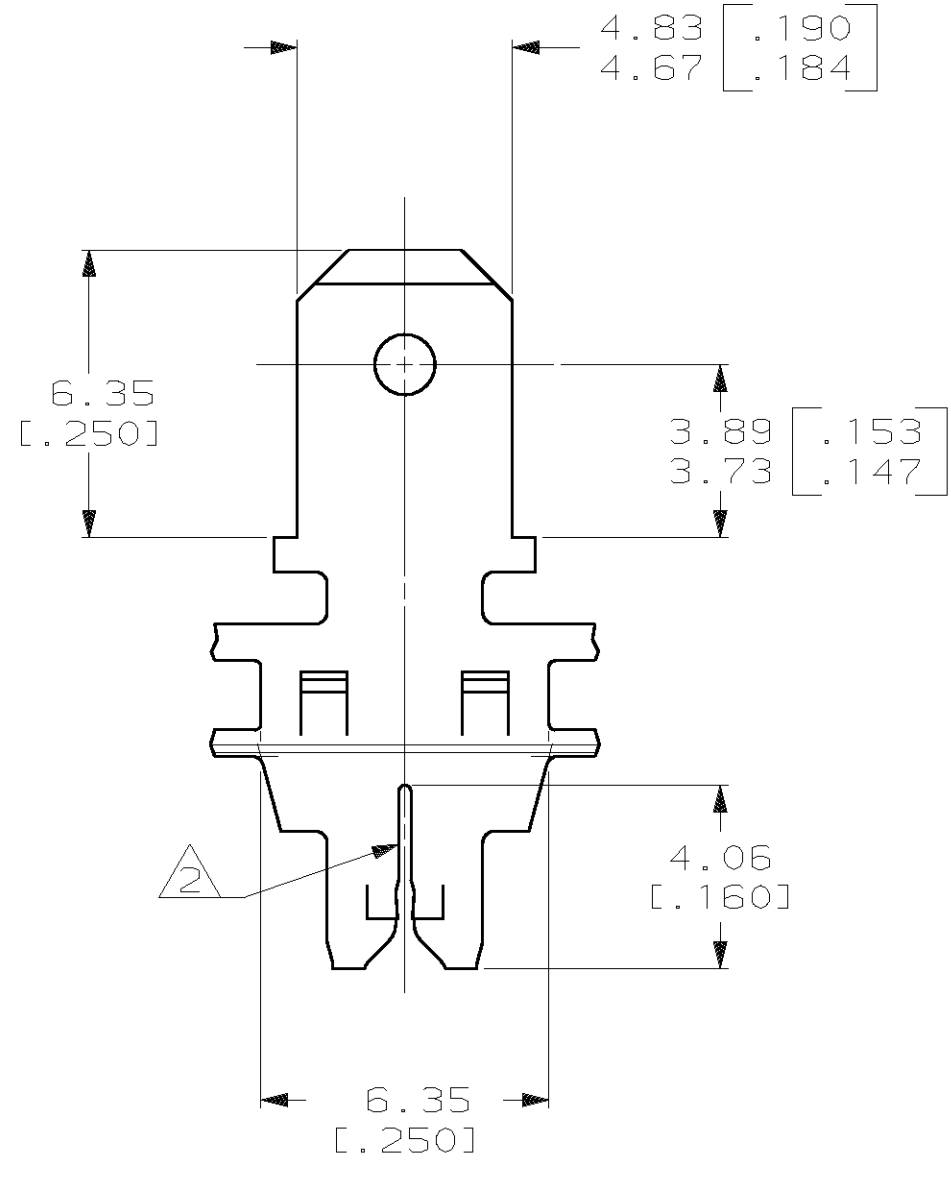
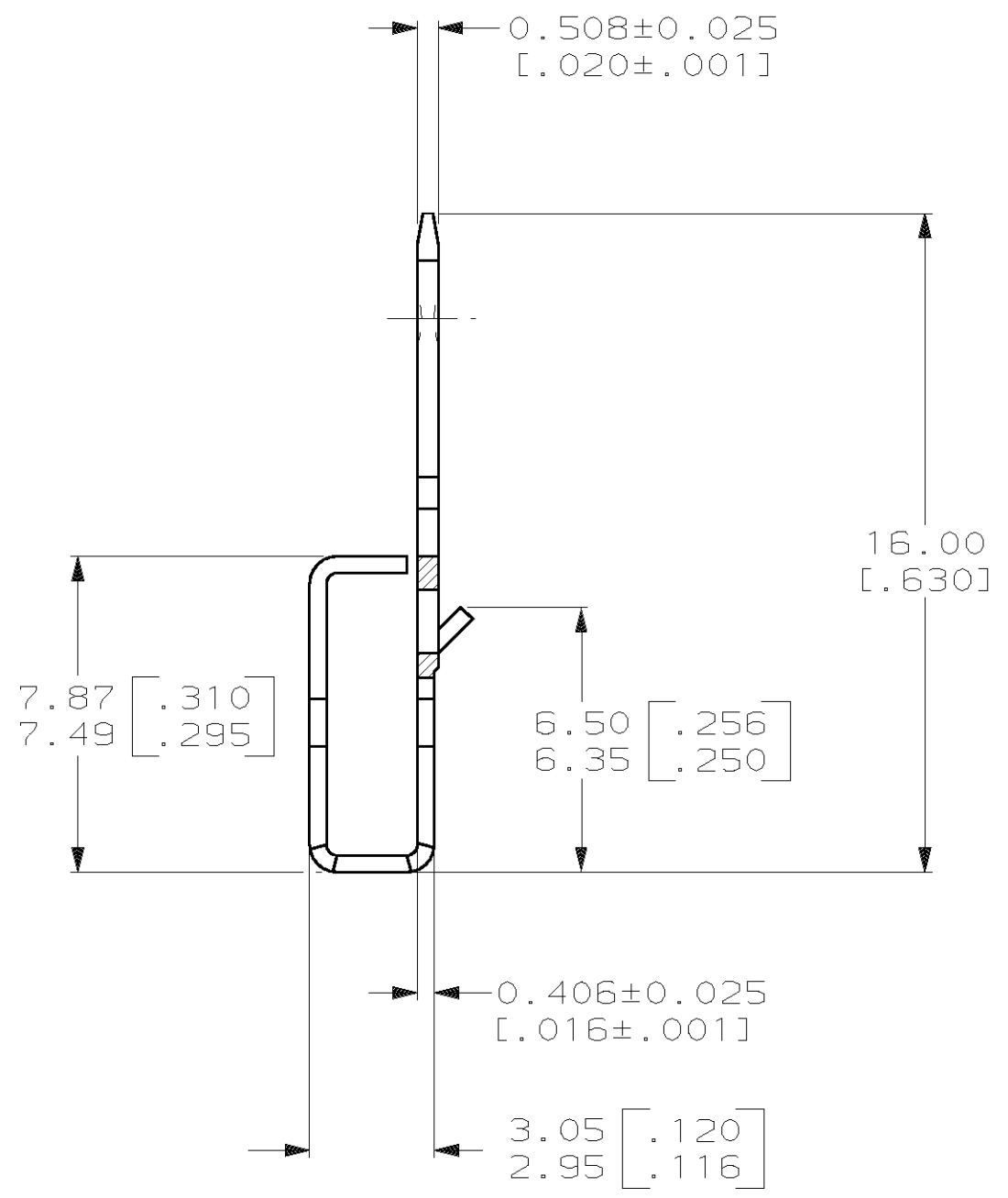
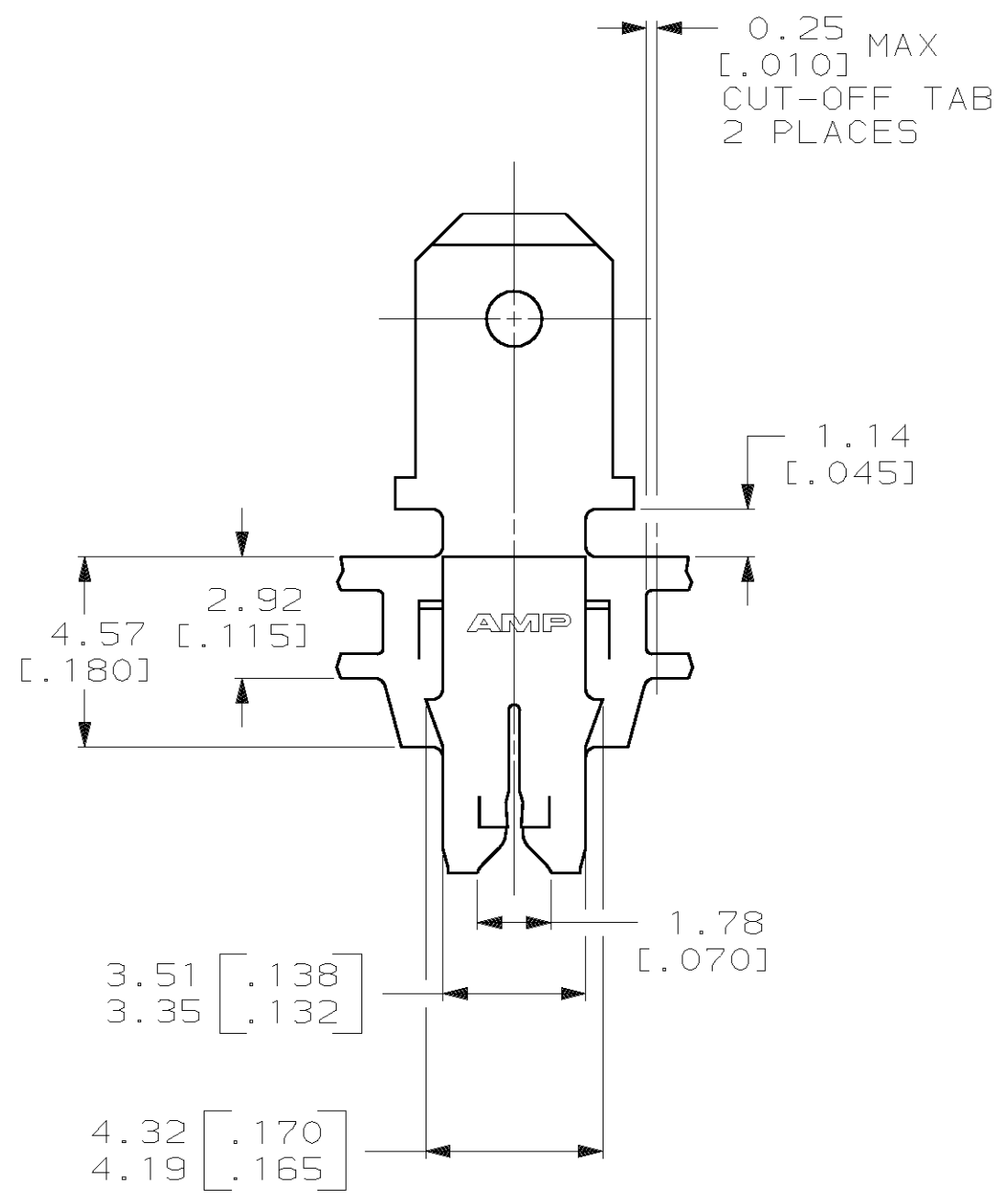


THIS DRAWING IS UNPUBLISHED. RELEASED FOR PUBLICATION ,19 .
 © COPYRIGHT 19 BY AMP INCORPORATED. ALL INTERNATIONAL RIGHTS RESERVED.

LOC		DIST		ZONE		LTR		REVISIONS		DATE	APPD
AF	50	P	F			J		REVISED PER OG3A-0088-00	18FEB00	MF/KR	



1 CONTINUOUS STRIP ON REELS WITH TERMINALS LOCATED ON 8.38±0.08 [.330±.003] CENTERS.
 2 SLOT TERMINATES A SINGLE OR DOUBLE MAGNET WIRE OF THE SAME SIZE AND TYPE; COPPER RANGE: 0.36-0.57 mm [#27-#23] AWG.



MATERIAL	PART NO
082 PRE-MILLED BRASS	63256-2
4M PRE-MILLED BRASS	63256-1

DO NOT SCALE PRINT. UNLESS SPECIFIED DIMENSIONS IN mm [INCHES] TOLERANCES ON : 2 PLC DEC ± 0.25 [.010] 3 PLC DEC ± - ANGLES ± -	DR 28/MAR/94 R.R. BUCHHEISTER JR. CHK 04/APR/94 MICHAEL S. FEHER APPD 04/APR/94 NELSON E. NEFF APPD 04/APR/94 TERRY L. SHUTTER	AMP AMP Incorporated Harrisburg, PA 17105-3608 NAME TAB, 4.75 [.187] FASTON™, MAG-MATE™	
MATERIAL SEE CHART	PRODUCT SPEC 108-2012	SIZE C 00779	DRAWING NO C=63256
FINISH 0.002032 [.000080] MIN TIN PLATE	APPLICATION SPEC 114-2094	SCALE 6:1	SHEET 1 OF 1
WEIGHT -			

THIS DRAWING IS A CONTROLLED DOCUMENT FOR AMP INCORPORATED. IT IS SUBJECT TO CHANGE AND THE CONTROLLING ENGINEERING ORGANIZATION SHOULD BE CONTACTED FOR THE LATEST REVISION.