



Chipsmall Limited consists of a professional team with an average of over 10 year of expertise in the distribution of electronic components. Based in Hongkong, we have already established firm and mutual-benefit business relationships with customers from,Europe,America and south Asia,supplying obsolete and hard-to-find components to meet their specific needs.

With the principle of “Quality Parts,Customers Priority,Honest Operation,and Considerate Service”,our business mainly focus on the distribution of electronic components. Line cards we deal with include Microchip,ALPS,ROHM,Xilinx,Pulse,ON,Everlight and Freescale. Main products comprise IC,Modules,Potentiometer,IC Socket,Relay,Connector.Our parts cover such applications as commercial,industrial, and automotives areas.

We are looking forward to setting up business relationship with you and hope to provide you with the best service and solution. Let us make a better world for our industry!



## Contact us

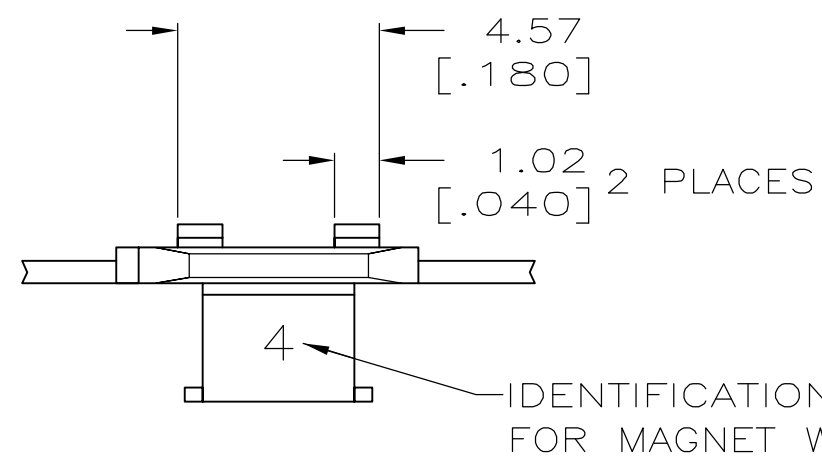
Tel: +86-755-8981 8866 Fax: +86-755-8427 6832

Email & Skype: info@chipsmall.com Web: www.chipsmall.com

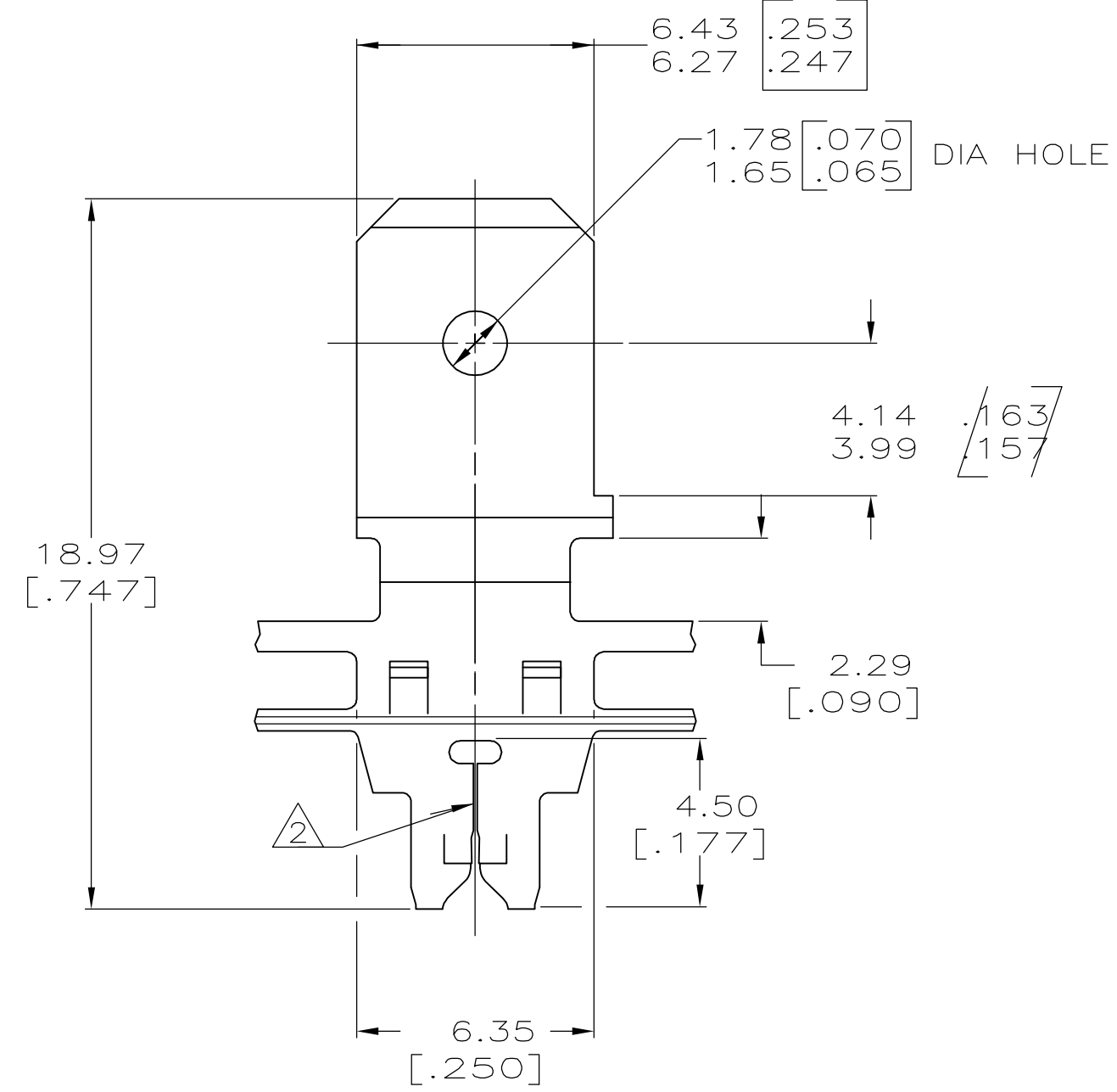
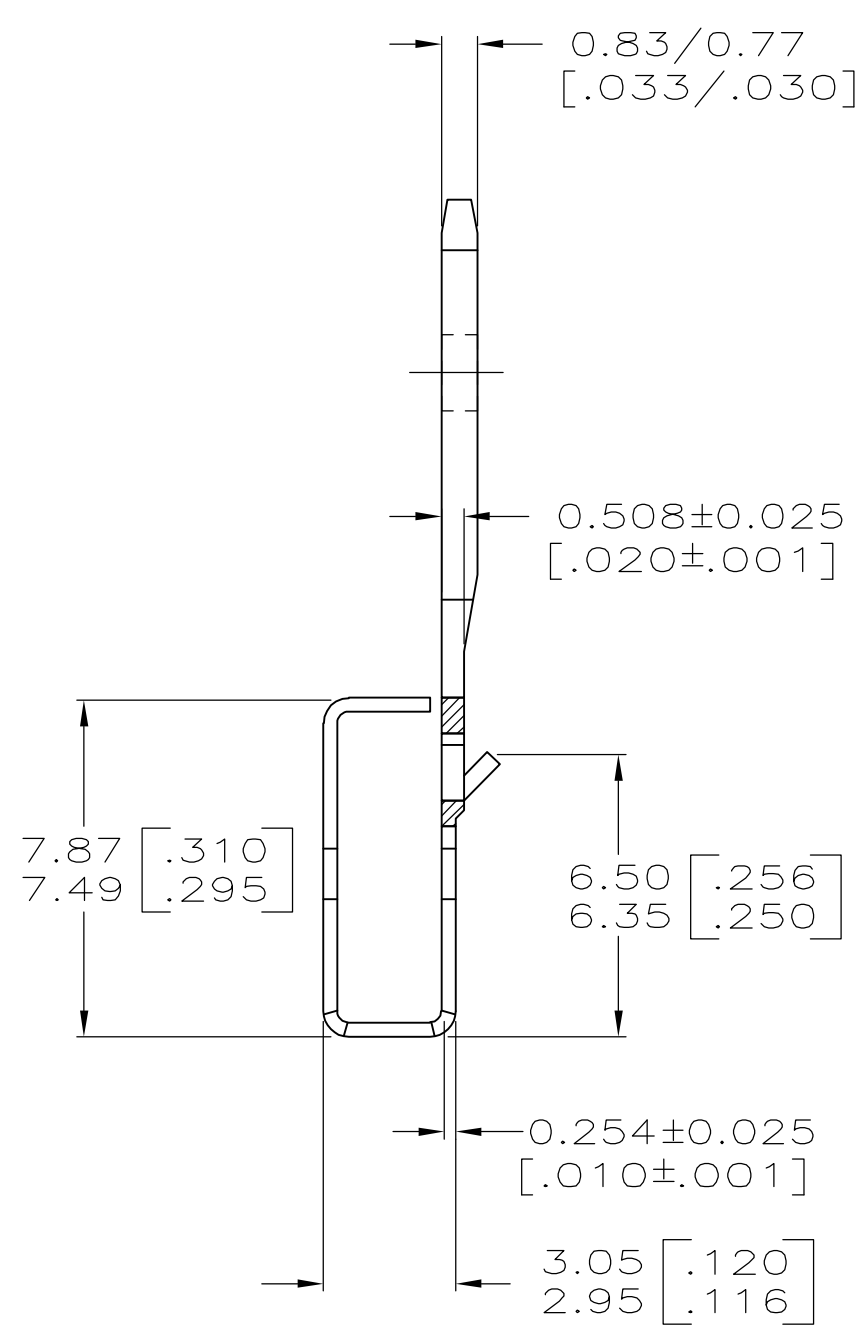
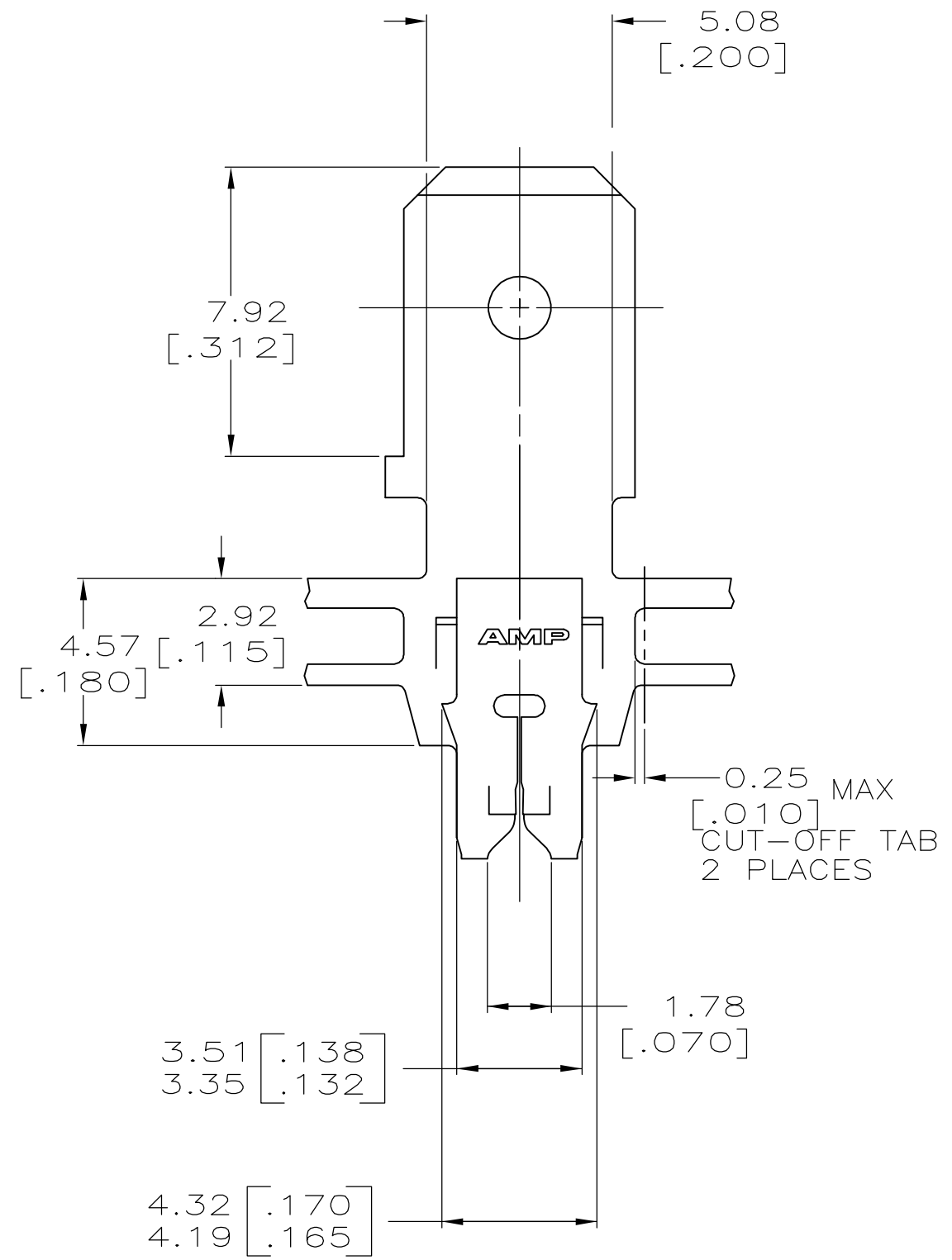
Address: A1208, Overseas Decoration Building, #122 Zhenhua RD., Futian, Shenzhen, China



LOC		DIST		ZONE		LTR		REVISIONS		DATE	APPD
AF	50	P	F			F		REV PER ECR 06-010492	02OCT06	JR/KR	



1 CONTINUOUS STRIP ON REELS WITH TERMINALS LOCATED ON  $8.38 \pm 0.08$   $[\.330 \pm .003]$  CENTERS.  
 2 SLOTTED ACCEPTS  $0.18-0.23\text{mm}$   $[\#33-\#31]$  AWG COPPER MAGNET WIRE.  
 2 WIRES OF THE SAME SIZE MAX PER SLOT.



MATERIAL	PART NO
082 PRE-MILLED BRASS	63309-2
4M PRE-MILLED BRASS	63309-1

DO NOT SCALE PRINT. UNLESS SPECIFIED DIMENSIONS IN mm [INCHES] TOLERANCES ON : 2 PLC DEC ± 0.25 [.010] 3 PLC DEC ± - ANGLES ± -	DR 10/AUG/94 MICHAEL S. FEHER	AMP Incorporated Harrisburg, PA 17105-3608
	CHK 12/AUG/94 RAYMOND R. BUCHHEISTER JR	
MATERIAL  SEE TABLE	APPD 15/AUG/94 NELSON E. NEFF	NAME  TAB, 6.35 [.250] FASTON, MAG-MATE
	APPD 15/AUG/94 TERRY L. SHUTTER	
FINISH 0.002032 [.000080] MIN TIN PER MIL-T-10727	PRODUCT SPEC 108-2012	SIZE C 00779
	APPLICATION SPEC 114-2094	CAGE CODE C= 63309
THIS DRAWING IS A CONTROLLED DOCUMENT FOR AMP INCORPORATED. IT IS SUBJECT TO CHANGE AND THE CONTROLLING ENGINEERING ORGANIZATION SHOULD BE CONTACTED FOR THE LATEST REVISION.	WEIGHT -	SCALE 6:1
		SHEET 10F 1