



Chipsmall Limited consists of a professional team with an average of over 10 year of expertise in the distribution of electronic components. Based in Hongkong, we have already established firm and mutual-benefit business relationships with customers from,Europe,America and south Asia,supplying obsolete and hard-to-find components to meet their specific needs.

With the principle of “Quality Parts,Customers Priority,Honest Operation,and Considerate Service”,our business mainly focus on the distribution of electronic components. Line cards we deal with include Microchip,ALPS,ROHM,Xilinx,Pulse,ON,Everlight and Freescale. Main products comprise IC,Modules,Potentiometer,IC Socket,Relay,Connector.Our parts cover such applications as commercial,industrial, and automotives areas.

We are looking forward to setting up business relationship with you and hope to provide you with the best service and solution. Let us make a better world for our industry!



Contact us

Tel: +86-755-8981 8866 Fax: +86-755-8427 6832

Email & Skype: info@chipsmall.com Web: www.chipsmall.com

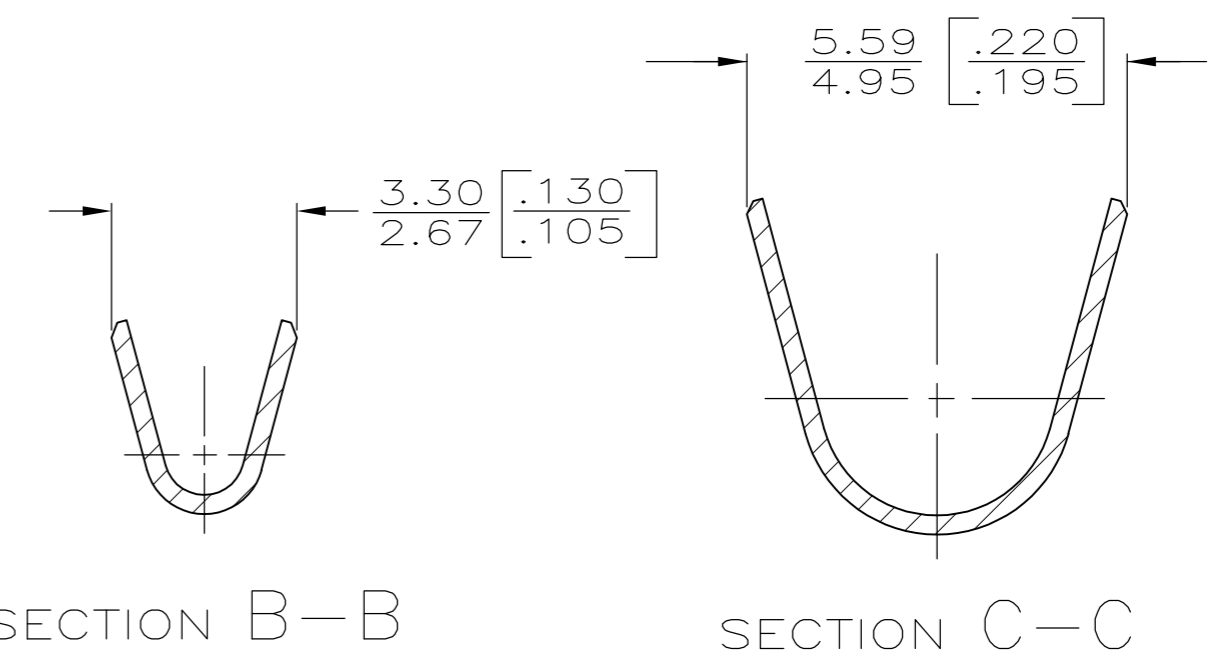
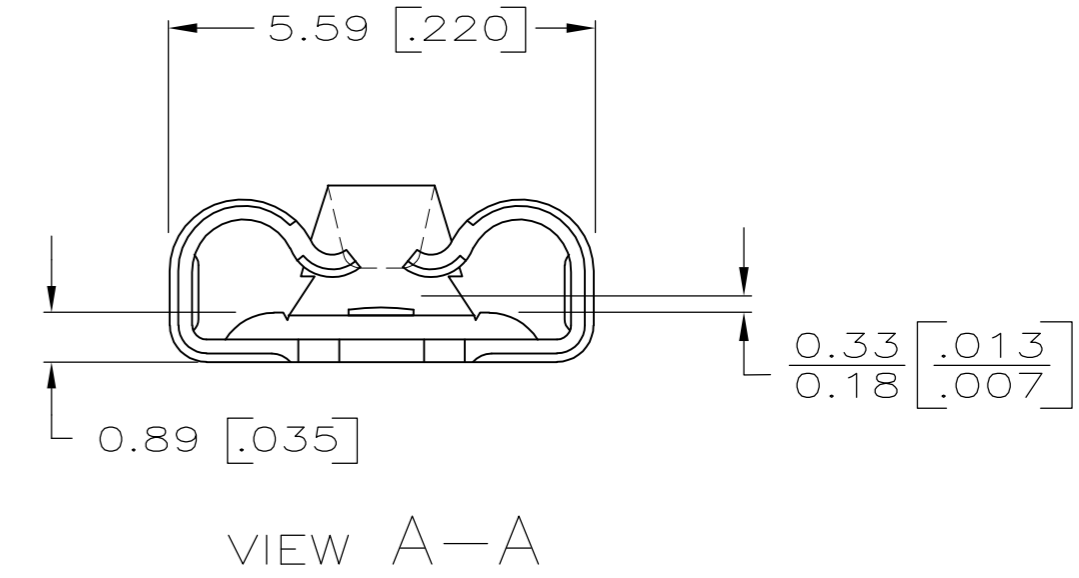
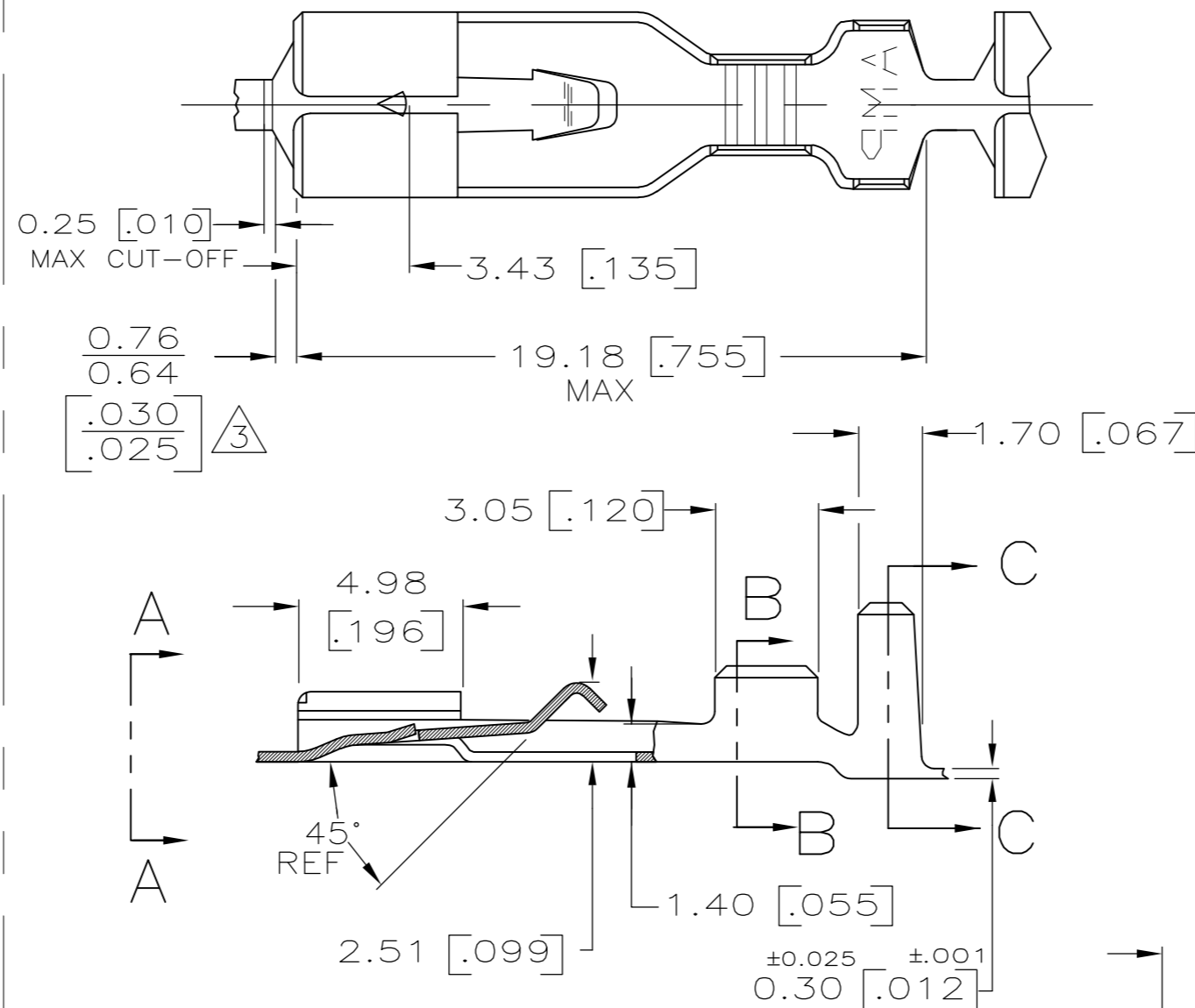
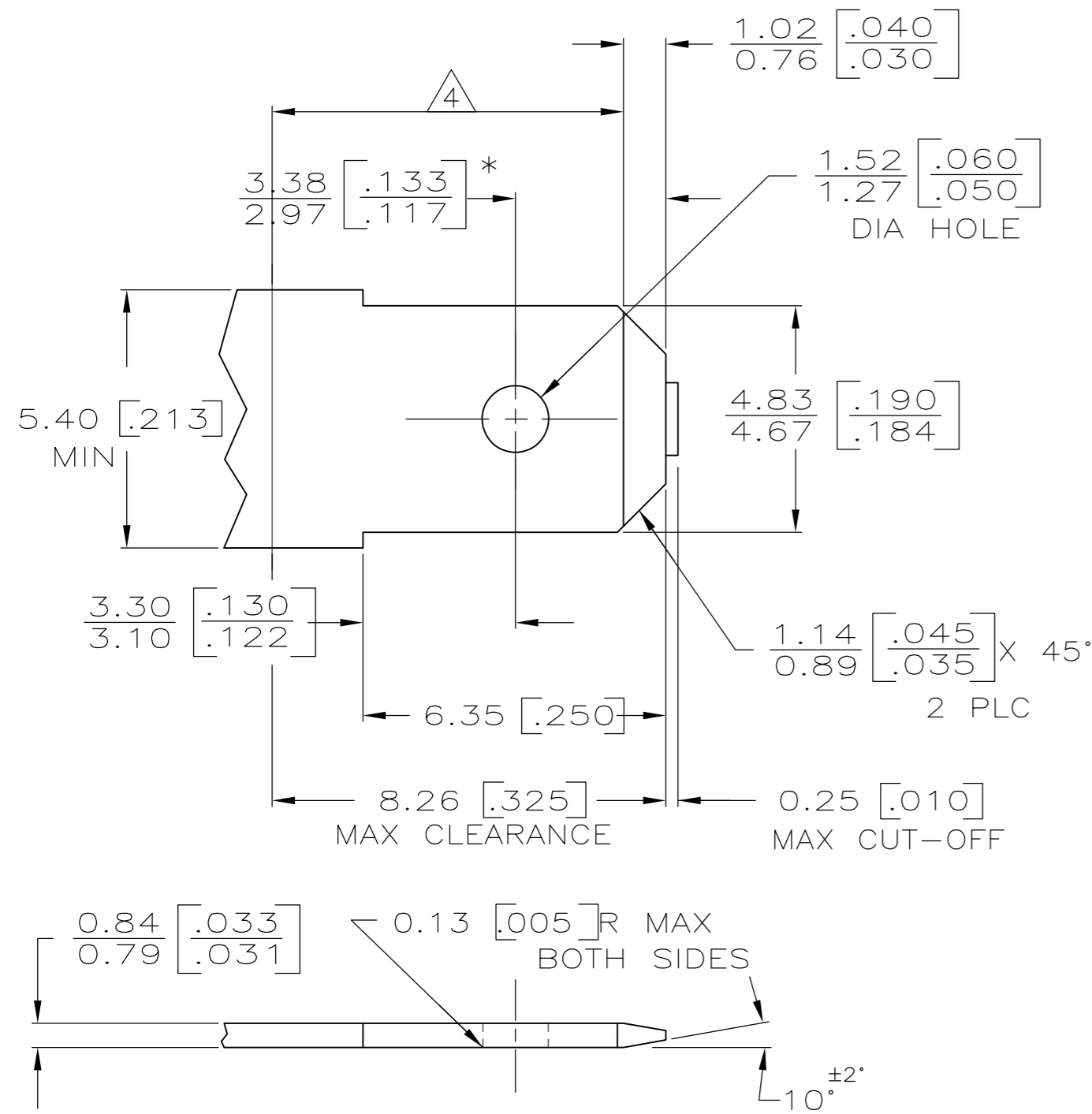
Address: A1208, Overseas Decoration Building, #122 Zhenhua RD., Futian, Shenzhen, China



THIS DRAWING IS UNPUBLISHED. RELEASED FOR PUBLICATION
 © COPYRIGHT - By - ALL RIGHTS RESERVED.

LOC		DIST		REVISIONS			
P	LTR	DESCRIPTION		DATE	DWN	APVD	
AF	50	E		REVISED PER ECR-12-013486	08JAN13	KH	KR

SUGGESTED MATING TAB



- 1 DIMENSIONS IN BRACKETS ARE IN INCHES.
- 2 CONTINUOUS STRIP ON REELS.
- △ THIS DIMENSIONS MUST BE MAINTAINED FOR PROPER FUNCTION OF THE LATCHING MECHANISM.

- 1 MATL: #2 HARD BRASS OR NICKEL PLATED STEEL.
- 2 NO BURRS PERMISSIBLE AT HOLE.
- 3 TIN PLATING IS REQUIRED ON BRASS WHEN TERMINAL TEMPERTURE IS OVER 225°F
- △ 4 MUST BE FLAT WITHIN 0.076 [0.003] OVER THIS LENGTH.
- 5 HOLE MUST BE SYMMETRICAL ABOUT TAB \bar{C} WITHIN 0.076 [0.003].
- * TO BE USED ONLY WHEN SHOULDER IS ELIMINATED.

2.29 - 3.30 [0.090 - .130]	0.5 - 1.4mm ² [20-16]	63313-1
INSULATION RANGE	WIRE SIZE	PART NO.
THIS DRAWING IS A CONTROLLED DOCUMENT.		DWN JR RUTH 5/27/87
DIMENSIONS: mm [INCHES]		CHK G YETTER 6/2/87
TOLERANCES UNLESS OTHERWISE SPECIFIED:		APVD R KUZO 6/2/87
0 PLC ± -		NAME
1 PLC ± -		RECEPTACLE, POSITIVE LOCK, .187 SERIES
2 PLC ± -		SIZE
3 PLC ± 0.25 .010		CAGE CODE
4 PLC ± -		DRAWING NO
ANGLES ± -		RESTRICTED TO
FINISH		SCALE
MATERIAL BRASS	FINISH TIN	WEIGHT -
CUSTOMER DRAWING		SCALE 1:1
A2 00779 C=63313		SHEET 1 OF 1
REV E		