



Chipsmall Limited consists of a professional team with an average of over 10 year of expertise in the distribution of electronic components. Based in Hongkong, we have already established firm and mutual-benefit business relationships with customers from,Europe,America and south Asia,supplying obsolete and hard-to-find components to meet their specific needs.

With the principle of "Quality Parts,Customers Priority,Honest Operation,and Considerate Service",our business mainly focus on the distribution of electronic components. Line cards we deal with include Microchip,ALPS,ROHM,Xilinx,Pulse,ON,Everlight and Freescale. Main products comprise IC,Modules,Potentiometer,IC Socket,Relay,Connector.Our parts cover such applications as commercial,industrial, and automotives areas.

We are looking forward to setting up business relationship with you and hope to provide you with the best service and solution. Let us make a better world for our industry!



## Contact us

Tel: +86-755-8981 8866 Fax: +86-755-8427 6832

Email & Skype: info@chipsmall.com Web: www.chipsmall.com

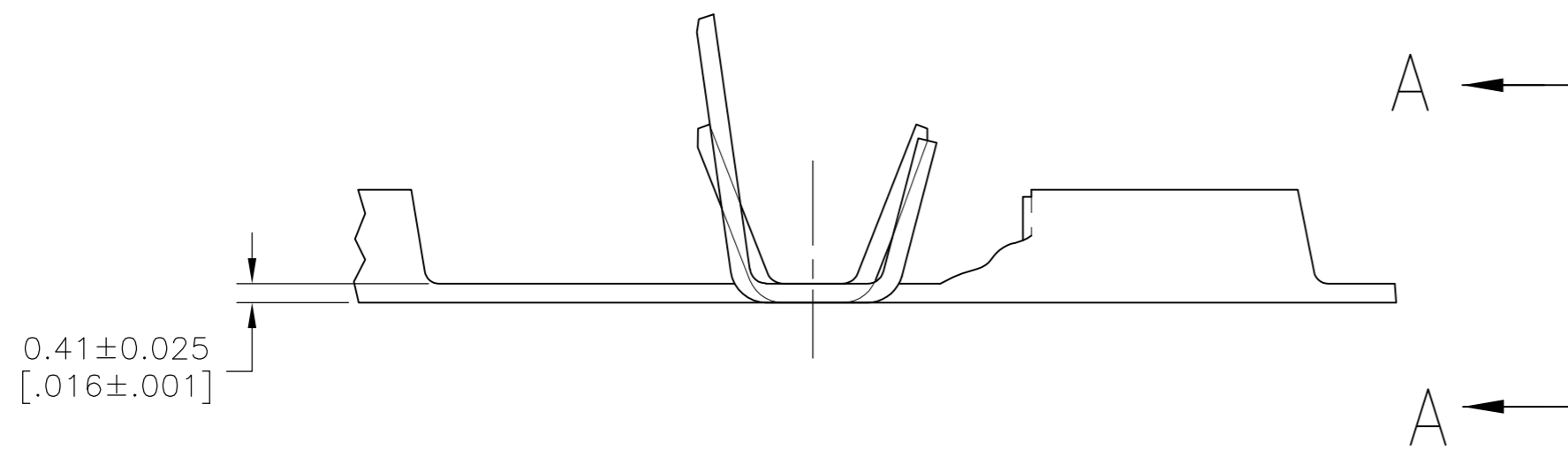
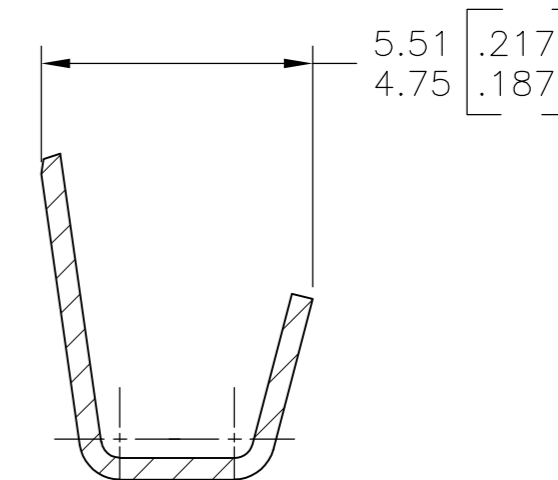
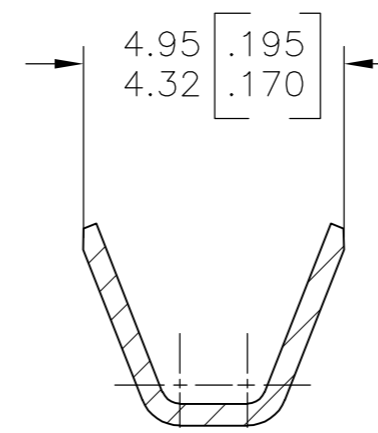
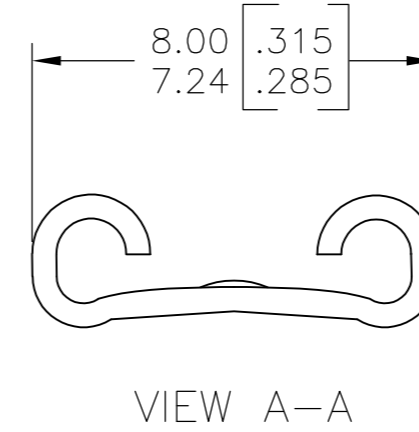
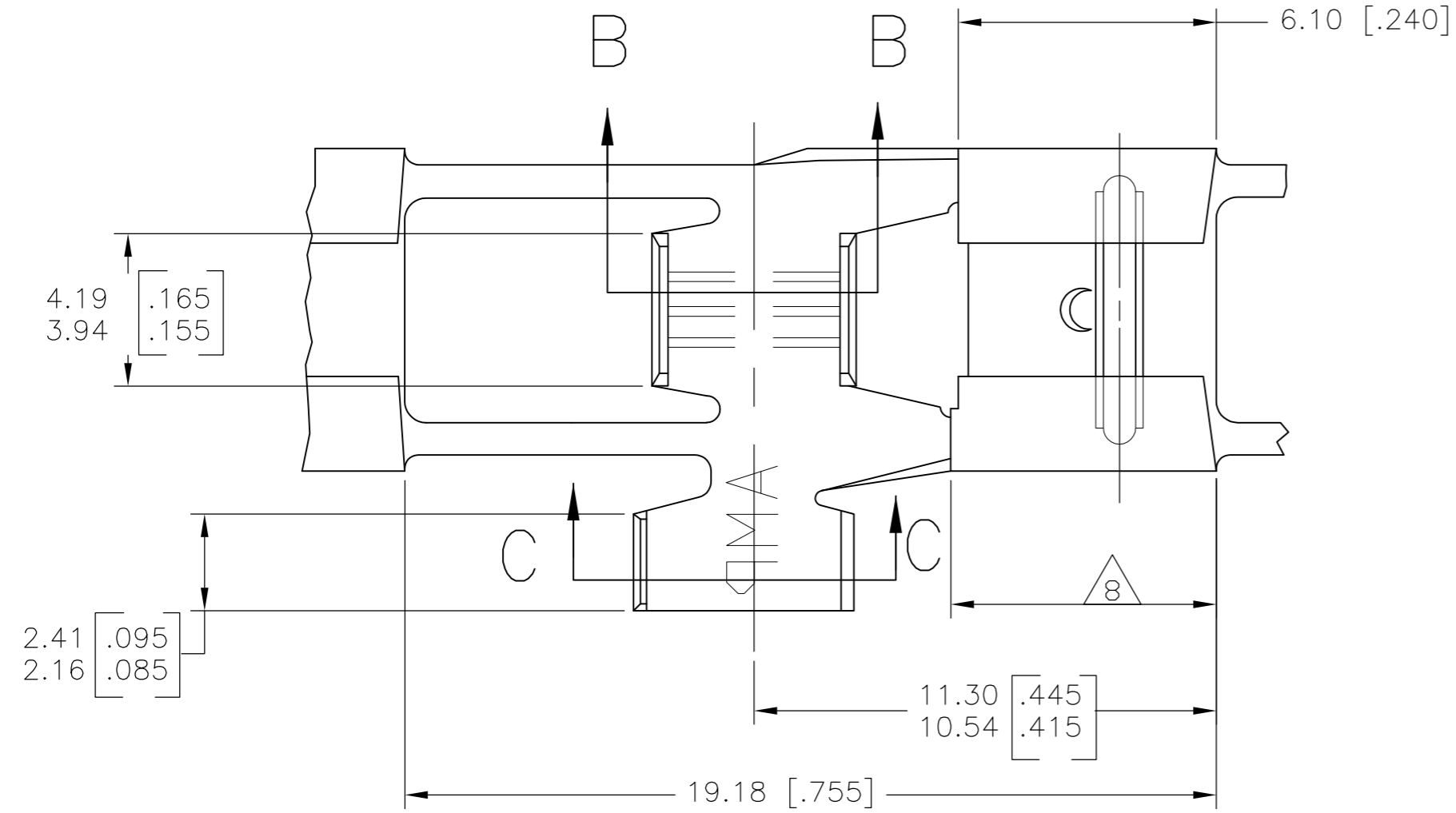
Address: A1208, Overseas Decoration Building, #122 Zhenhua RD., Futian, Shenzhen, China



THIS DRAWING IS UNPUBLISHED. RELEASED FOR PUBLICATION  
 © COPYRIGHT - By - ALL RIGHTS RESERVED.

LOC	DIST	REVISIONS					
AF	50	P	LTR	DESCRIPTION	DATE	DWN	APVD
		J		REVISED PER ECR-12-013459	27NOV2012	KH	PD

- 1 CONTINUOUS STRIP ON REELS.
- 2 MATING TAB THK TO BE  $0.81 \pm 0.025$  [.032±.001].
- 3 WIRE SIZE IS #18-#14 AWG.
- 4 INSULATION RANGE IS 1.52-3.81 [.060-.150] DIA.
- 5 REEL WITH INTERLEAVING PAPER.
- 6 MATERIAL: BRASS
- 7 MATERIAL: HO4 PHOS BRZ
- 8 RECEPTACLE LENGTH CAN VARY UP TO 6.35 [.250] MAX, THIS SIDE ONLY.
- 9 PREPRODUCTION - FASR REQUIRED



PART NO.	WIRE		INSULATION DIAMETER (MAX)	WIRE BARREL CRIMP			TENSILE STRENGTH POUNDS	
	QTY	SIZE AWG		WIDTH	CRIMP HEIGHT	CRIMPER		ANVIL
63314-1	1	14	.150	.120	.071	F	FLAT	50
	1	16			.063			30
	1	18			.057			20

5	REVERSE REELED	7	SILVER	9	63314-5
		6	TIN		63314-4
		6	TIN		63314-2
		6	-		63314-1
			MATERIAL	FINISH	PART NO.

THIS DRAWING IS A CONTROLLED DOCUMENT.

DWN: JR RUTH 6/16/87  
 CHK: MS FEHER 6/16/87  
 APVD: C MEYERS 6/16/87

TE Connectivity

RECEPTACLE, FLAG, FASTON, 6.35 [.250] SERIES

SIZE	CAGE CODE	DRAWING NO	RESTRICTED TO
A2	00779	C=63314	-
SCALE 7:1		SHEET 1 of 1	REV J

CUSTOMER DRAWING