



Chipsmall Limited consists of a professional team with an average of over 10 year of expertise in the distribution of electronic components. Based in Hongkong, we have already established firm and mutual-benefit business relationships with customers from,Europe,America and south Asia,supplying obsolete and hard-to-find components to meet their specific needs.

With the principle of “Quality Parts,Customers Priority,Honest Operation,and Considerate Service”,our business mainly focus on the distribution of electronic components. Line cards we deal with include Microchip,ALPS,ROHM,Xilinx,Pulse,ON,Everlight and Freescale. Main products comprise IC,Modules,Potentiometer,IC Socket,Relay,Connector.Our parts cover such applications as commercial,industrial, and automotives areas.

We are looking forward to setting up business relationship with you and hope to provide you with the best service and solution. Let us make a better world for our industry!



Contact us

Tel: +86-755-8981 8866 Fax: +86-755-8427 6832

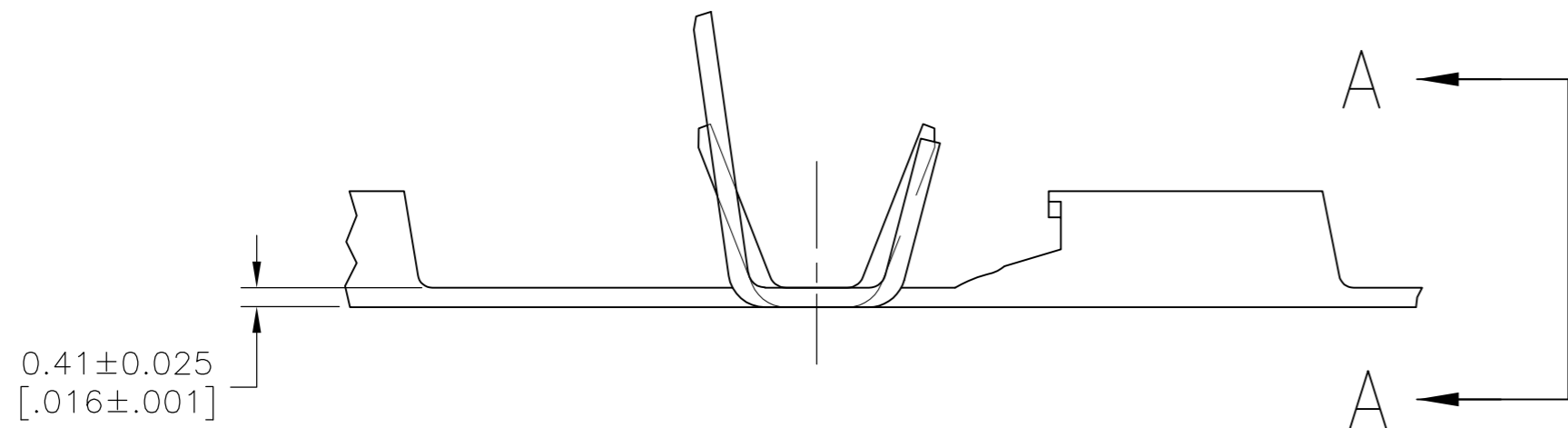
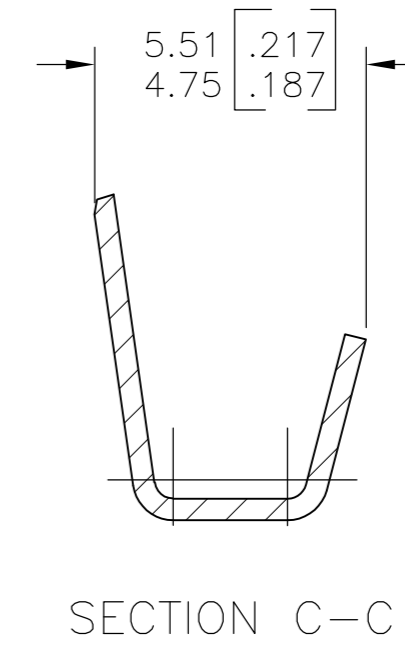
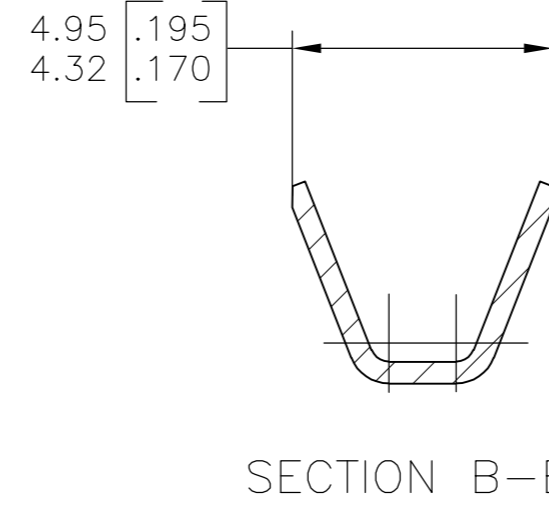
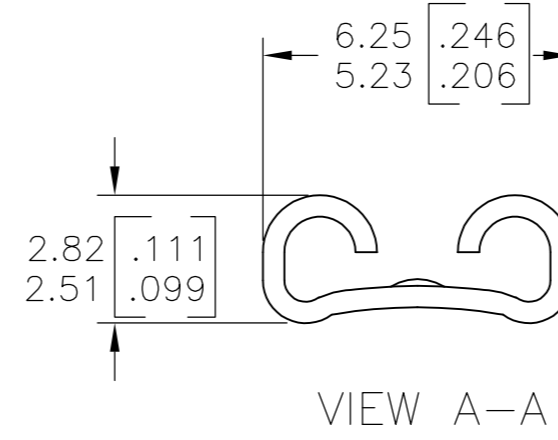
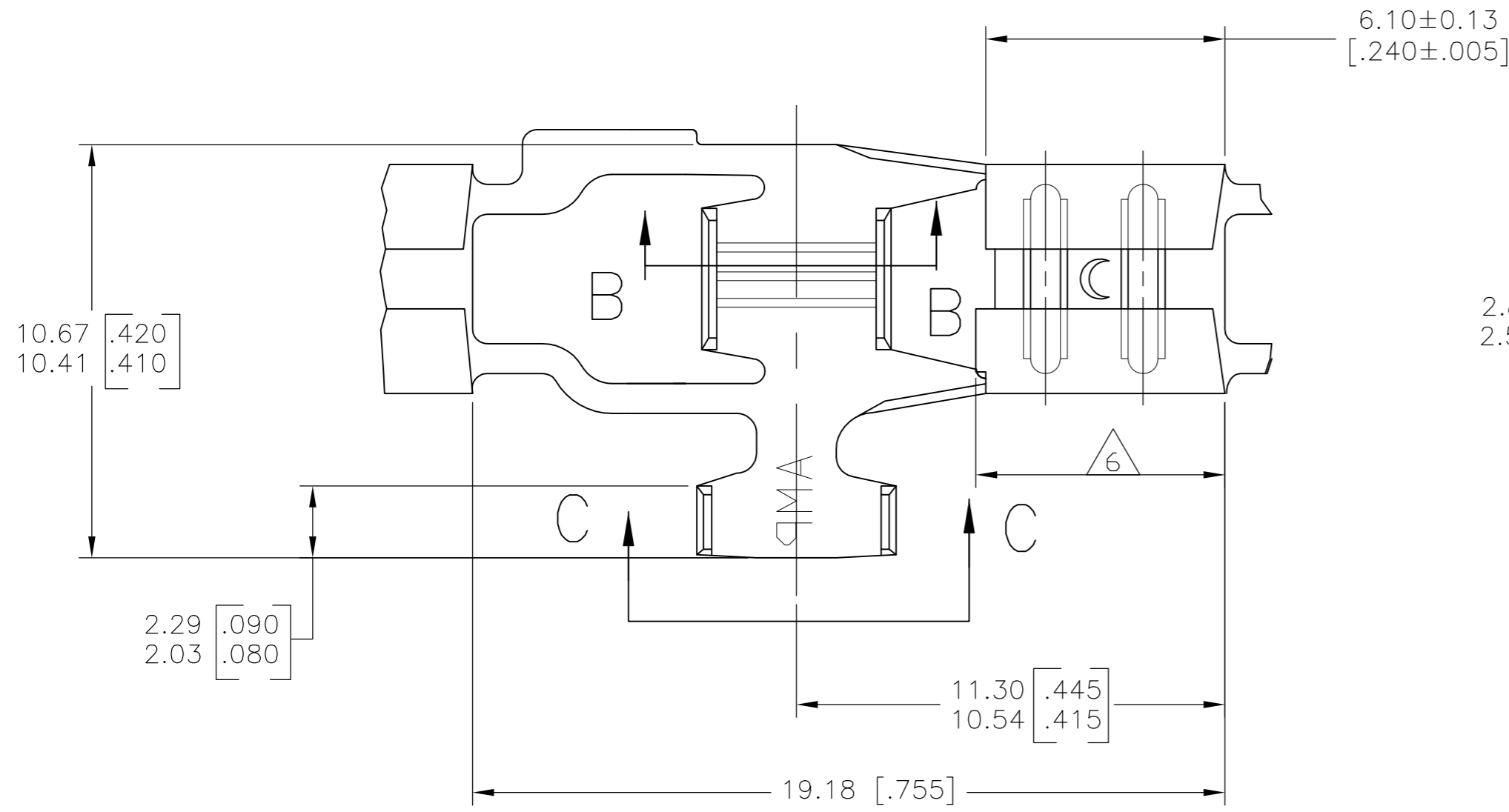
Email & Skype: info@chipsmall.com Web: www.chipsmall.com

Address: A1208, Overseas Decoration Building, #122 Zhenhua RD., Futian, Shenzhen, China



THIS DRAWING IS UNPUBLISHED. RELEASED FOR PUBLICATION
 © COPYRIGHT - By - ALL RIGHTS RESERVED.

LOC	DIST	REVISIONS			
P	LTR	DESCRIPTION	DATE	DWN	APVD
AF	50	T	REVISED PER ECR-12-013518	23NOV2012	KH PD



- 1 CONTINUOUS STRIP ON REELS.
- 2 MATING TAB THK TO BE 0.81±0.025
[.032±.001]
- 3 WIRE SIZE IS #18-#14 AWG.
- 4 INSULATION RANGE IS 1.52-3.81
[.060-.150] DIA.
- 5 REEL WITH INTERLEAVING PAPER
- 6 RECEPTACLE LENGTH CAN BE GREATER BY UP
TO 0.25 [.010] MAX FROM OPPOSITE SIDE.
- 7 PREPRODUCTION - FASR REQUIRED

PART NO	WIRE		INSULATION DIAMETER (MAX)	WIRE BARREL CRIMP			TENSILE STRENGTH POUNDS	
	QTY	SIZE AWG		WIDTH	CRIMP HEIGHT	CRIMPER		ANVIL
63316	1	14	.150	.120	.071	F	FLAT	50
	1	16			.063			30
	1	18			.057			20

5	REVERSE REELED	0.00398 [.000157] MIN SILVER	H04 PHOS BRZ	63316-6
		TIN	BRASS	63316-5
		0.00381 [.000150] MIN NICKEL	T2 CR STEEL	63316-3
		TIN	BRASS	63316-2
		-	BRASS	63316-1
		FINISH	MATERIAL	PART NO.

THIS DRAWING IS A CONTROLLED DOCUMENT.

DIMENSIONS: mm [INCHES]	TOLERANCES UNLESS OTHERWISE SPECIFIED:	DWN JR RUTH 6/16/87	TE Connectivity RECEPTACLE, FLAG, FASTON, 4.75 [.187] SERIES
	0 PLC ± -	CHK MS FEHER 6/16/87	
	1 PLC ± -	APVD C MEYERS 6/16/87	
	2 PLC ± 0.25 [.010]	PRODUCT SPEC	
MATERIAL	FINISH	APPLICATION SPEC	NAME
SEE TABLE	SEE TABLE	WEIGHT	SIZE
		CUSTOMER DRAWING	CAGE CODE
			DRAWING NO
			RESTRICTED TO
			SCALE
			SHEET
			REV