



Chipsmall Limited consists of a professional team with an average of over 10 year of expertise in the distribution of electronic components. Based in Hongkong, we have already established firm and mutual-benefit business relationships with customers from,Europe,America and south Asia,supplying obsolete and hard-to-find components to meet their specific needs.

With the principle of “Quality Parts,Customers Priority,Honest Operation,and Considerate Service”,our business mainly focus on the distribution of electronic components. Line cards we deal with include Microchip,ALPS,ROHM,Xilinx,Pulse,ON,Everlight and Freescale. Main products comprise IC,Modules,Potentiometer,IC Socket,Relay,Connector.Our parts cover such applications as commercial,industrial, and automotives areas.

We are looking forward to setting up business relationship with you and hope to provide you with the best service and solution. Let us make a better world for our industry!



Contact us

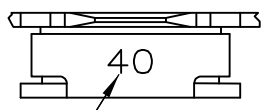
Tel: +86-755-8981 8866 Fax: +86-755-8427 6832

Email & Skype: info@chipsmall.com Web: www.chipsmall.com

Address: A1208, Overseas Decoration Building, #122 Zhenhua RD., Futian, Shenzhen, China

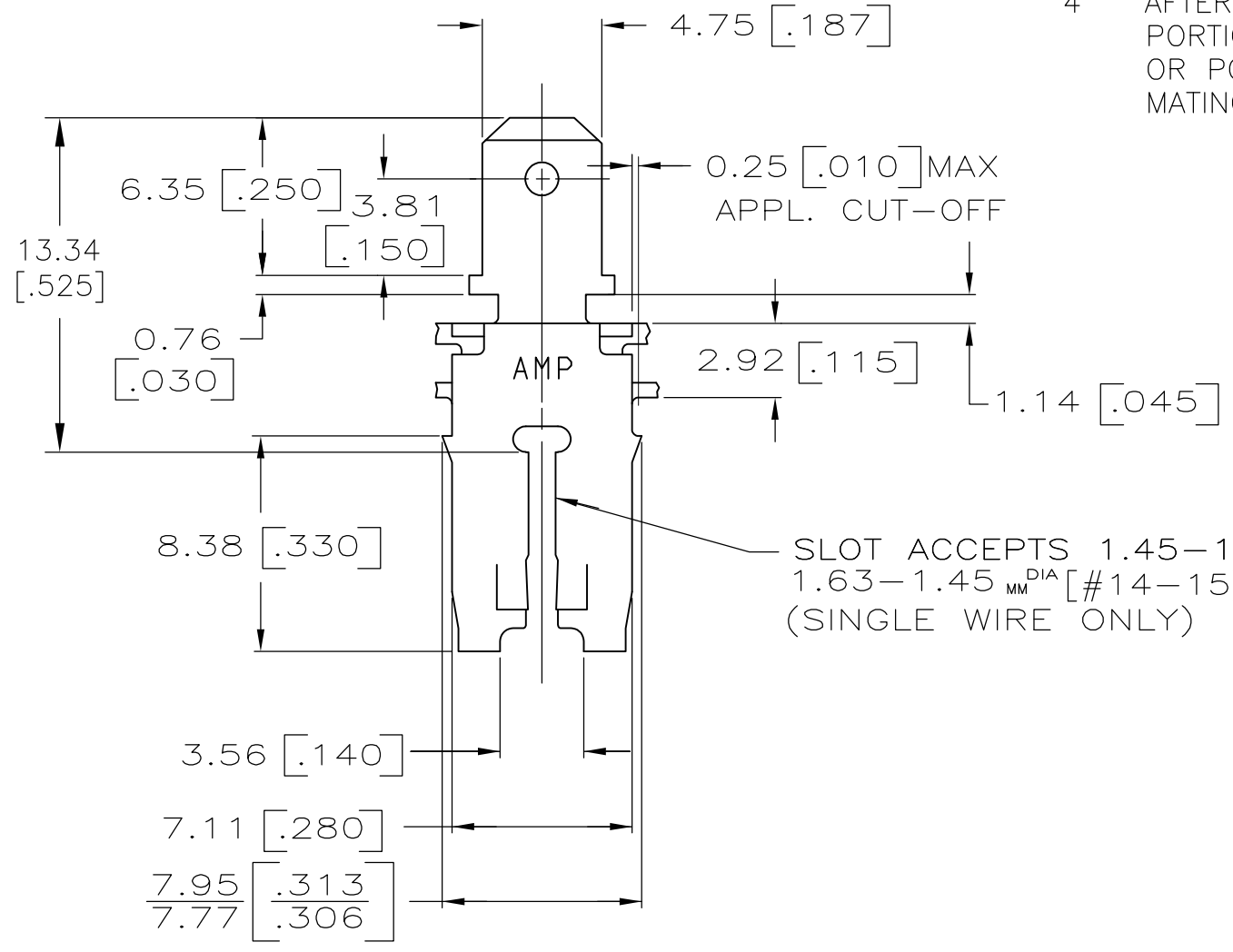
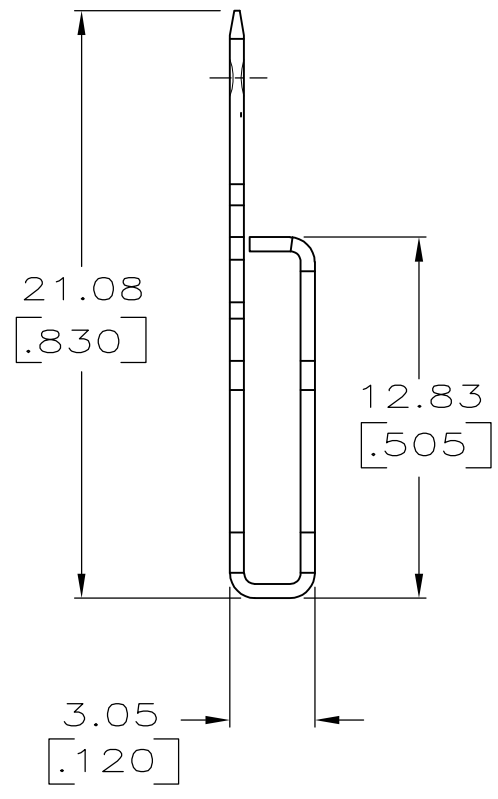


LOC	DIST	REVISIONS					
AF	50	P	LTR	DESCRIPTION	DATE	DWN	APVD
		F1		REVISED PER ECR-09-002564	12FEB09	HMR	KR



IDENTIFICATION NO. FOR MAGNET WIRE RANGE

- FOR MAG-MATE CAVITY SPECIFICATION REFER TO APPLICATION SPEC #114-2066.
- CONTINUOUS STRIP ON REELS WITH TERMINALS LOCATED ON 8.38 [.330] CENTERS.
- DIMENSIONS IN BRACKETS ARE IN INCHES.
- AFTER INSERTION INTO PLASTIC HOLDER TAB PORTION MUST BE BENT OVER 45° TO 90° OR POTTED-IN TO PREVENT PULL-OUT WHEN MATING RECEPTACLE IS DISCONNECTED.



SLOT ACCEPTS 1.45-1.29^{DIA} MM [#15-16] COPPER OR 1.63-1.45^{DIA} MM [#14-15] ALUMINUM MAGNET WIRE. (SINGLE WIRE ONLY)

63353-1
PART NO

THIS DRAWING IS A CONTROLLED DOCUMENT.		DWN	JR RUTH	2/14/86	Tyco Electronics Corporation Harrisburg, PA 17105-3608
DIMENSIONS: mm [INCHES]		CHK	G YETTER	2/17/86	
TOLERANCES UNLESS OTHERWISE SPECIFIED:		APVD	J SWARTZ	2/18/86	
		PRODUCT SPEC		NAME	
MATERIAL		APPLICATION SPEC		MAG-MATE .187 FASTON TAB	
0.51 [.020] BRASS		FINISH		TIN	
FINISH		WEIGHT		-	
-		CUSTOMER DRAWING		SIZE	A3
-		SCALE		CAGE CODE	00779
-		SHEET		DRAWING NO	C-63353
-		REV		F1	
-		RESTRICTED TO		-	

