



Chipsmall Limited consists of a professional team with an average of over 10 year of expertise in the distribution of electronic components. Based in Hongkong, we have already established firm and mutual-benefit business relationships with customers from,Europe,America and south Asia,supplying obsolete and hard-to-find components to meet their specific needs.

With the principle of "Quality Parts,Customers Priority,Honest Operation,and Considerate Service",our business mainly focus on the distribution of electronic components. Line cards we deal with include Microchip,ALPS,ROHM,Xilinx,Pulse,ON,Everlight and Freescale. Main products comprise IC,Modules,Potentiometer,IC Socket,Relay,Connector.Our parts cover such applications as commercial,industrial, and automotives areas.

We are looking forward to setting up business relationship with you and hope to provide you with the best service and solution. Let us make a better world for our industry!



Contact us

Tel: +86-755-8981 8866 Fax: +86-755-8427 6832

Email & Skype: info@chipsmall.com Web: www.chipsmall.com

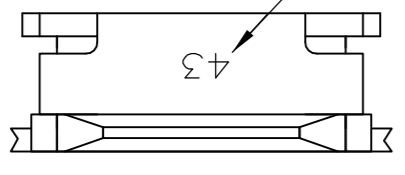
Address: A1208, Overseas Decoration Building, #122 Zhenhua RD., Futian, Shenzhen, China



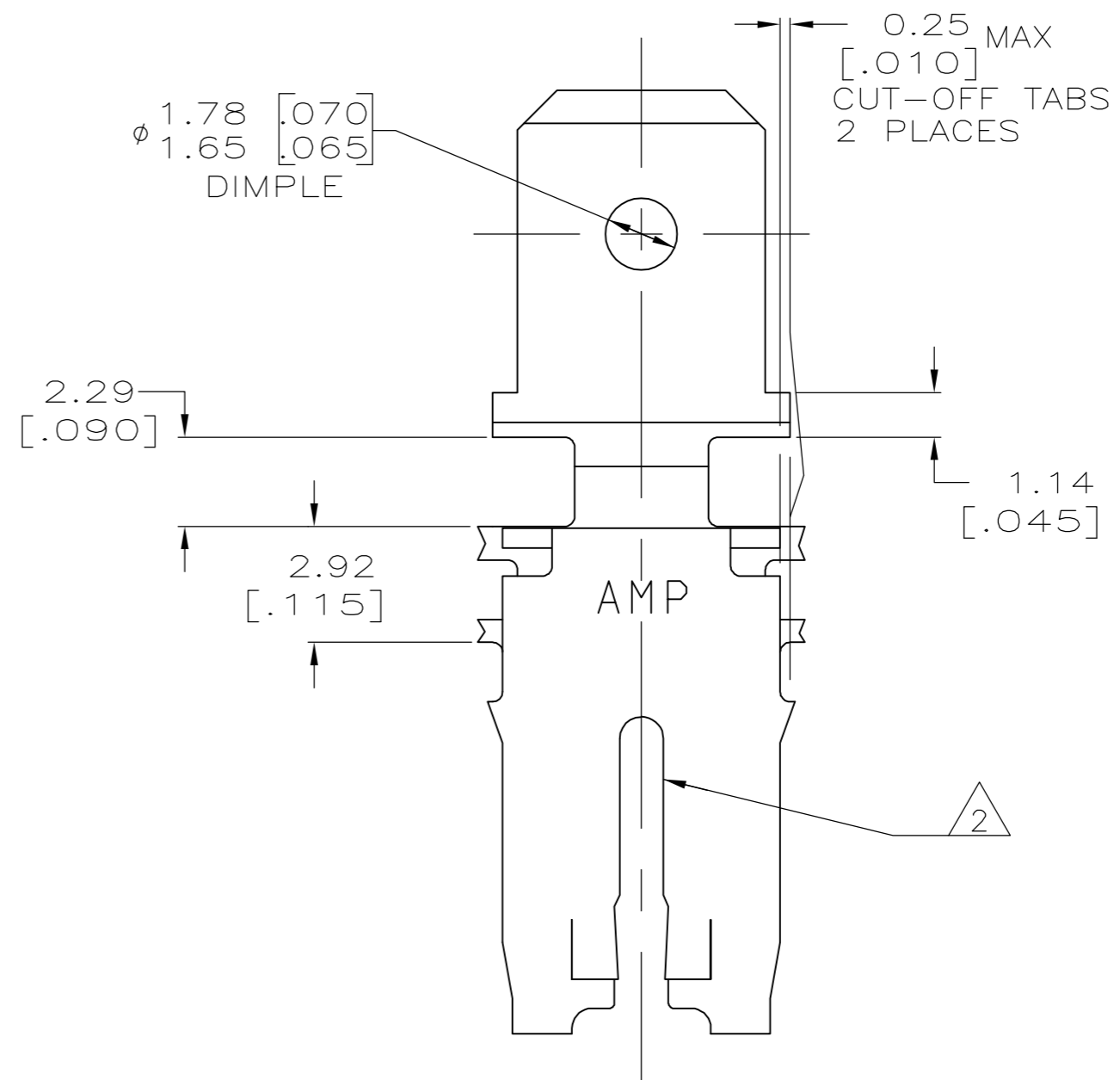
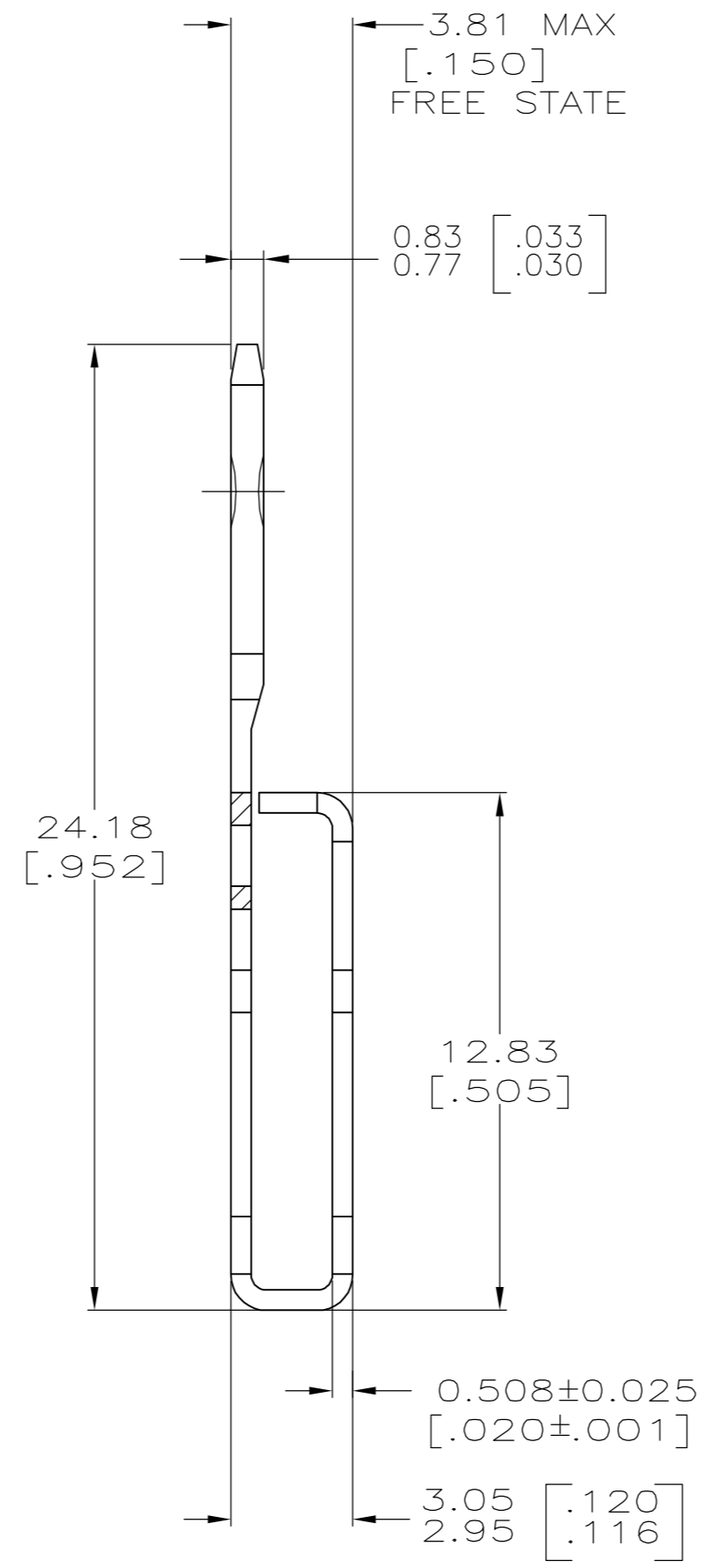
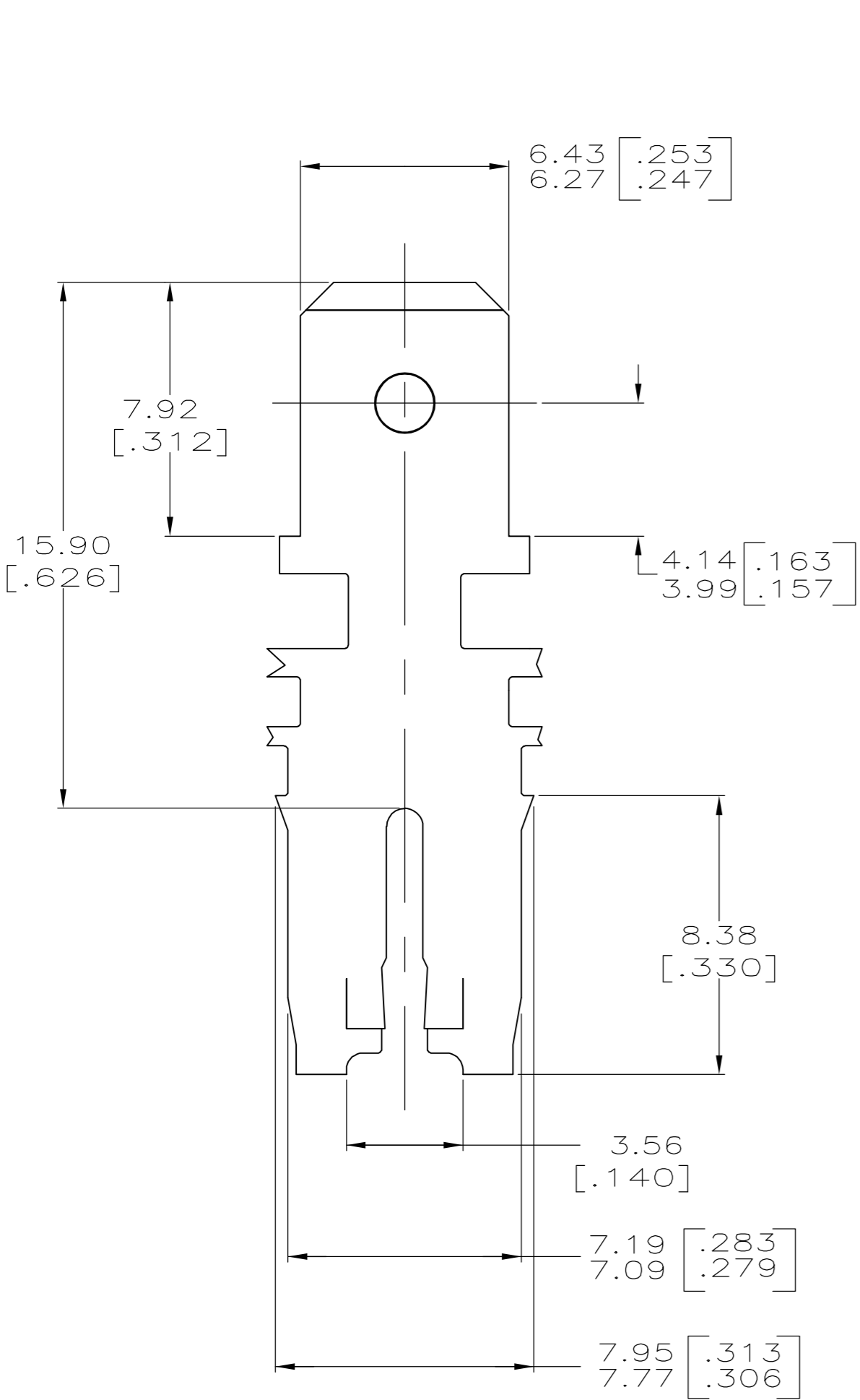
THIS DRAWING IS UNPUBLISHED. RELEASED FOR PUBLICATION
 © COPYRIGHT BY TYCO ELECTRONICS CORPORATION. ALL RIGHTS RESERVED.

LOC	DIST	REVISIONS			
P	LTR	DESCRIPTION	DATE	DWN	APVD
AF	50				
		D	REVISED PER ECR-06-010427	01SEP06	HMR KR

IDENTIFICATION NUMBER 43 FOR MAGNET WIRE RANGE



- 1 CONTINUOUS STRIP ON REELS WITH TERMINALS LOCATED ON 8.38±0.08 [.330±.003] CENTERS.
- 2 SLOT ACCEPTS 1.63-1.83mm [#14-#13] AWG COPPER MAGNET WIRE. TWO 1.63mm [#14] AWG COPPER MAGNET WIRES ACCEPTABLE AT CAVITY ANVIL HEIGHT OF 3.94-4.19 [.155-.165].
- 3 AFTER INSERTION INTO PLASTIC HOLDER MAG-MATE MUST BE POTTED-IN TO PREVENT PULL-OUT WHEN MATING RECEPTACLE IS DISCONNECTED.
- 4 VARNISH RESIST OVER 0.002032 [.000080] MIN TIN PLATE.



63371-1
PART NUMBER

THIS DRAWING IS A CONTROLLED DOCUMENT.		DWN MICHAEL S. FEHER 19MAY1999	Tyco Electronics Corporation Harrisburg, PA 17105-3608		
DIMENSIONS: mm [INCHES]		CHK JEFF R. RUTH 07JUN1999			
TOLERANCES UNLESS OTHERWISE SPECIFIED:		APVD KURT A. RANDOLPH 07JUN1999	NAME TAB, 6.35 [.250] FASTON,™ 500 SERIES MAG-MATE™		
0 PLC ± - 1 PLC ± - 2 PLC ± 0.25 [.010] 3 PLC ± - 4 PLC ± - ANGLES ± - FINISH		PRODUCT SPEC 108-2053 APPLICATION SPEC 114-2066	SIZE A2	CAGE CODE 00779	DRAWING NO C=63371
MATERIAL O82 PRE-MILLED BRASS		WEIGHT -	RESTRICTED TO -		
4		CUSTOMER DRAWING		SCALE 6:1	SHEET 1 of 1