



Chipsmall Limited consists of a professional team with an average of over 10 year of expertise in the distribution of electronic components. Based in Hongkong, we have already established firm and mutual-benefit business relationships with customers from,Europe,America and south Asia,supplying obsolete and hard-to-find components to meet their specific needs.

With the principle of “Quality Parts,Customers Priority,Honest Operation,and Considerate Service”,our business mainly focus on the distribution of electronic components. Line cards we deal with include Microchip,ALPS,ROHM,Xilinx,Pulse,ON,Everlight and Freescale. Main products comprise IC,Modules,Potentiometer,IC Socket,Relay,Connector.Our parts cover such applications as commercial,industrial, and automotives areas.

We are looking forward to setting up business relationship with you and hope to provide you with the best service and solution. Let us make a better world for our industry!



## Contact us

Tel: +86-755-8981 8866 Fax: +86-755-8427 6832

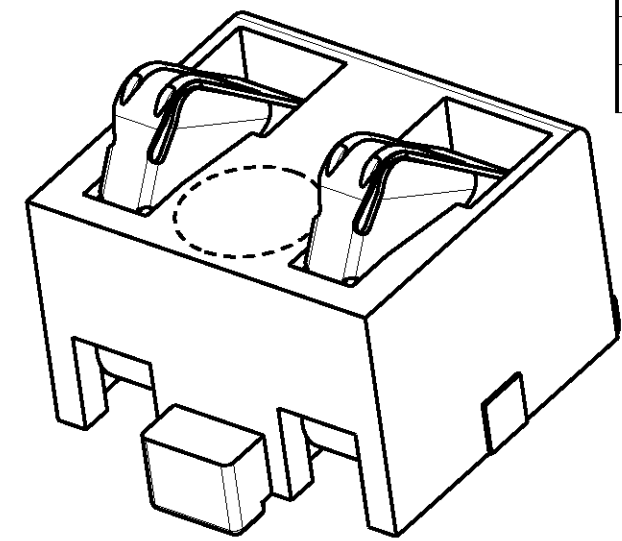
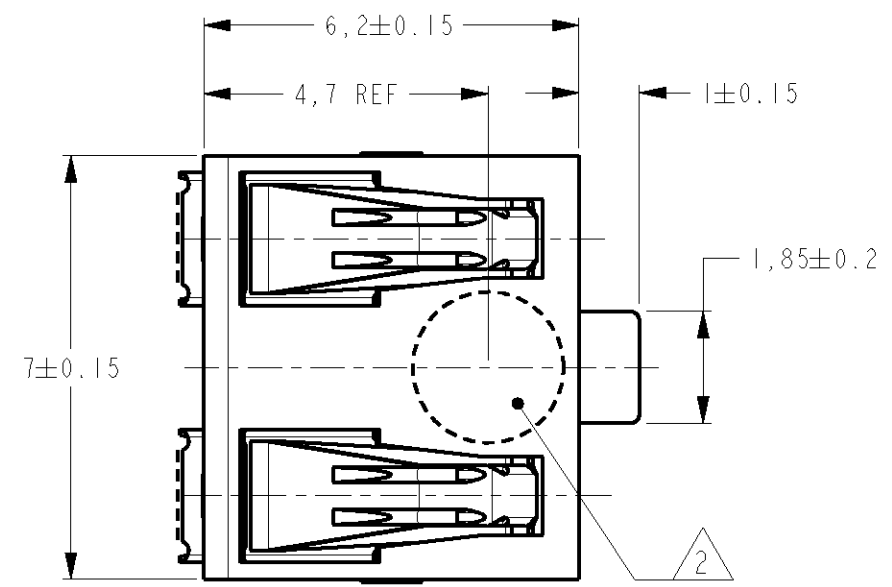
Email & Skype: info@chipsmall.com Web: www.chipsmall.com

Address: A1208, Overseas Decoration Building, #122 Zhenhua RD., Futian, Shenzhen, China

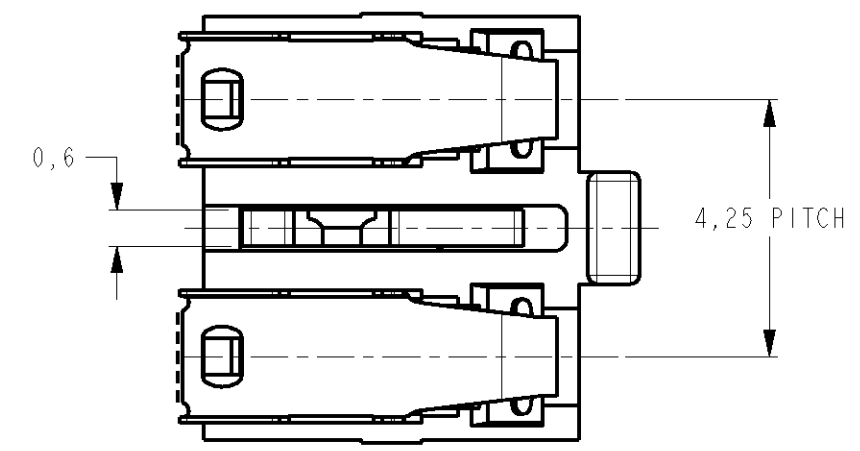
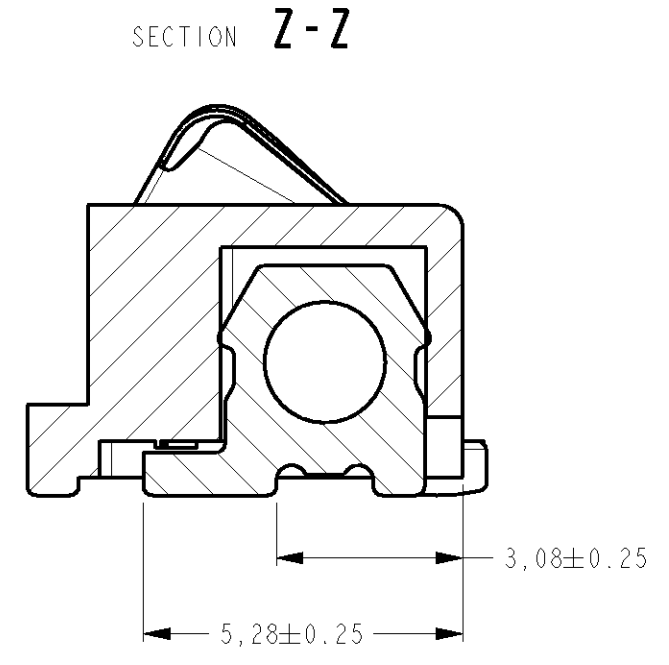
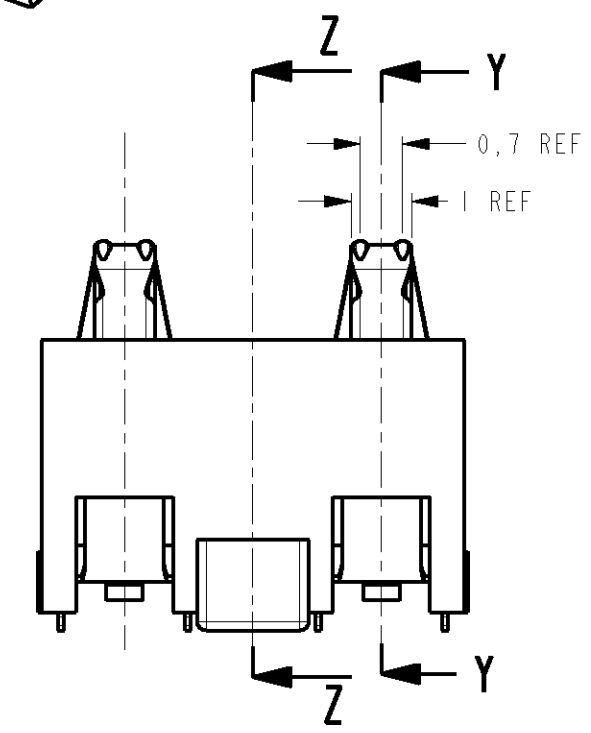
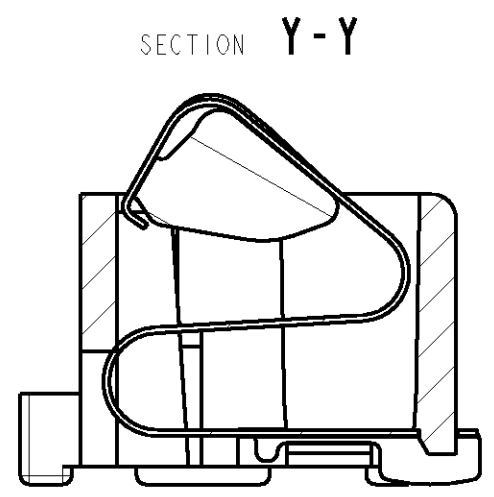
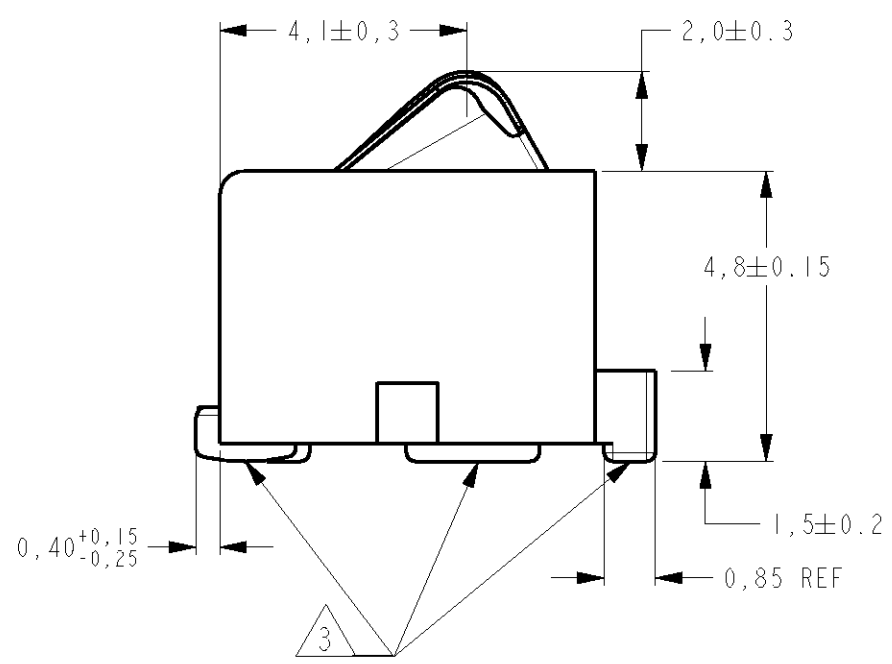


THIS DRAWING IS UNPUBLISHED. RELEASED FOR PUBLICATION  
 © COPYRIGHT BY TYCO ELECTRONICS CORPORATION. ALL RIGHTS RESERVED.

LOC	DIST	REVISIONS			
P	LTR	DESCRIPTION	DATE	DWN	APVD
H	-	A	EH10-0043-05	12JAN2005	RC PJ



- 1. PACKAGING IN ACCORDANCE WITH PACKAGING SPEC 107-3262
- 2 VACUUM PICK/PLACE AREA, FEATURE NOT PRESENT.
- 3 COPLANARITY 0.15 MAX. 4-POSITIONS



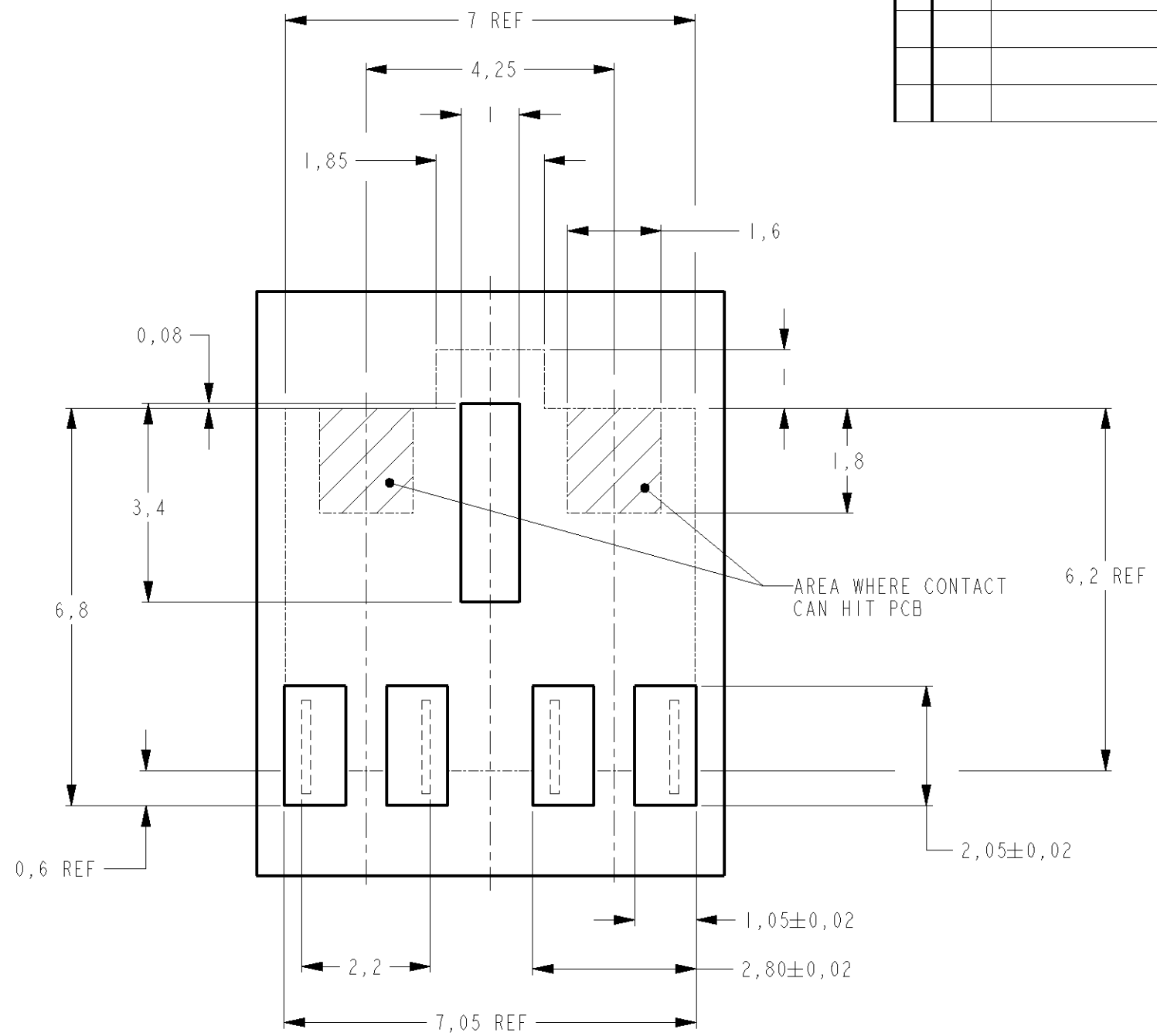
THIS DRAWING IS A CONTROLLED DOCUMENT FOR TYCO ELECTRONICS CORPORATION IT IS SUBJECT TO CHANGE AND THE CONTROLLING ENGINEERING ORGANIZATION SHOULD BE CONTACTED FOR THE LATEST REVISION.

DIMENSIONS:	TOLERANCES UNLESS OTHERWISE SPECIFIED:
mm	
	0 PLC ±0,3
	1 PLC ±0,13
	2 PLC ±0,05
	3 PLC ±
	4 PLC ±
	ANGLES ±1
MATERIAL -	FINISH -

DWN	12 Jan 05
CHK	R. Coolen
APVD	W. Jansen
P	P. Jaeger
PRODUCT SPEC	108-3419
APPLICATION SPEC	114-3211
WEIGHT	0,271 Gr
CUSTOMER DRAWING	

LEAD-FREE		6337194-1	
		PART NUMBER	
		TYCO ELECTRONICS NEDERLAND B.V. 's-HERTOGENBOSCH, THE NETHERLANDS	
BATTERY CONNECTOR ASSEMBLY			
SIZE	CAGE CODE	DRAWING NO	RESTRICTED TO
A3	00779	6337194	-
SCALE 8:1		SHEET 1 OF 2	
		REV A	

LOC	DIST	REVISIONS			
P	LTR	DESCRIPTION	DATE	DWN	APVD
H	-	-	-	-	-
		SEE SHEET 1			



RECOMMENDED PCB PAD LAYOUT  
SCALE 10:1

<small>THIS DRAWING IS A CONTROLLED DOCUMENT FOR TYCO ELECTRONICS CORPORATION IT IS SUBJECT TO CHANGE AND THE CONTROLLING ENGINEERING ORGANIZATION SHOULD BE CONTACTED FOR THE LATEST REVISION.</small>		DWN R. Coolen 12 Jan 05 CHK W. Jansen - APVD P. Jaeger - PRODUCT SPEC - APPLICATION SPEC - WEIGHT -		<b>tyco</b> <b>Electronics</b> TYCO ELECTRONICS NEDERLAND B.V. 's-HERTOGENBOSCH, THE NETHERLANDS	
DIMENSIONS: mm 		TOLERANCES UNLESS OTHERWISE SPECIFIED: 0 PLC ±0,3 1 PLC ±0,13 2 PLC ±0,05 3 PLC ±- 4 PLC ±- ANGLES ±1		NAME BATTERY CONNECTOR PCB LAYOUT	
MATERIAL - FINISH -		CUSTOMER DRAWING		SIZE A3 CAGE CODE 00779 DRAWING NO C=6337194 RESTRICTED TO - SCALE 10:1 SHEET 2 OF 2 REV A	