



Chipsmall Limited consists of a professional team with an average of over 10 year of expertise in the distribution of electronic components. Based in Hongkong, we have already established firm and mutual-benefit business relationships with customers from,Europe,America and south Asia,supplying obsolete and hard-to-find components to meet their specific needs.

With the principle of "Quality Parts,Customers Priority,Honest Operation,and Considerate Service",our business mainly focus on the distribution of electronic components. Line cards we deal with include Microchip,ALPS,ROHM,Xilinx,Pulse,ON,Everlight and Freescale. Main products comprise IC,Modules,Potentiometer,IC Socket,Relay,Connector.Our parts cover such applications as commercial,industrial, and automotives areas.

We are looking forward to setting up business relationship with you and hope to provide you with the best service and solution. Let us make a better world for our industry!



## Contact us

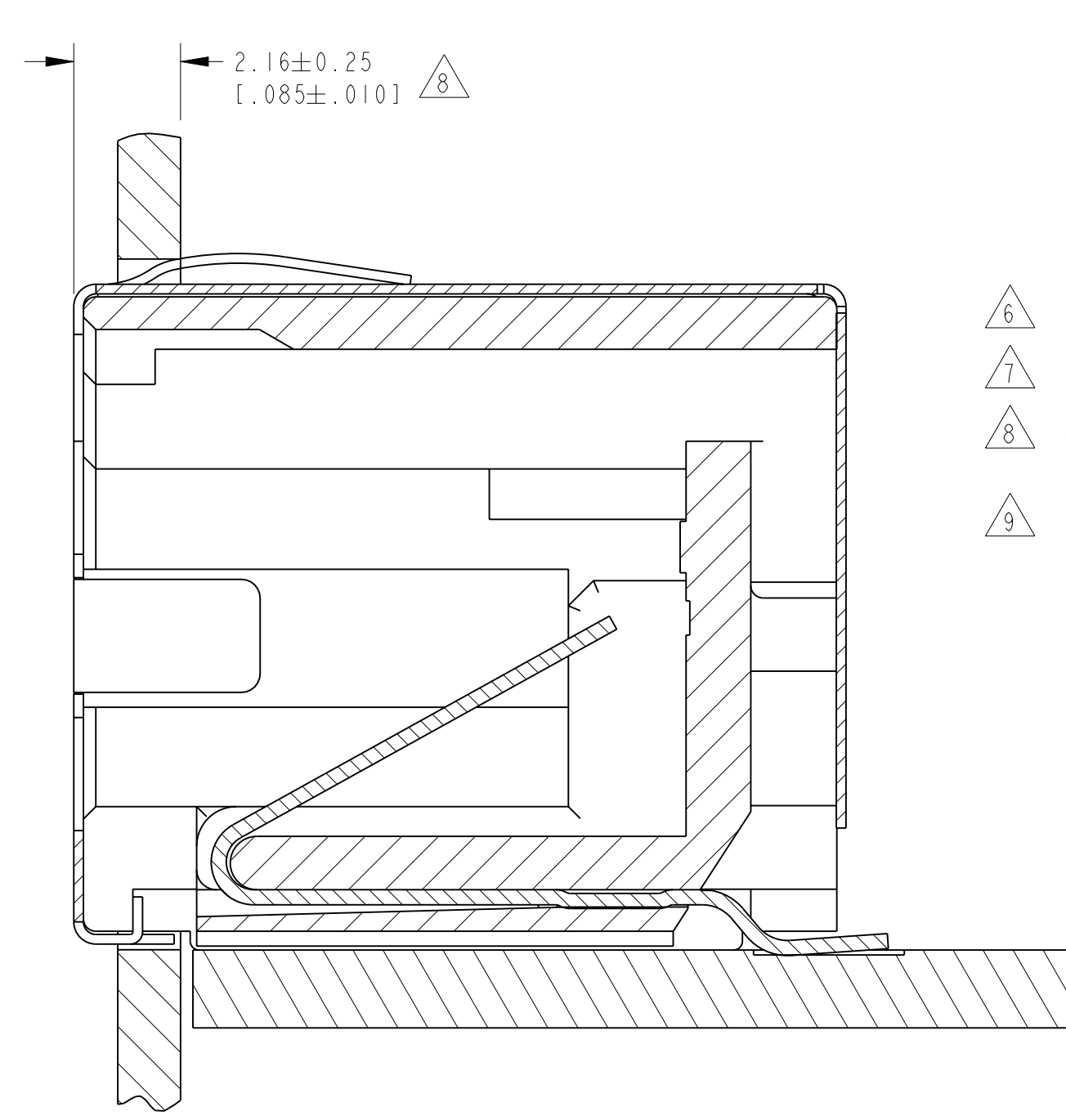
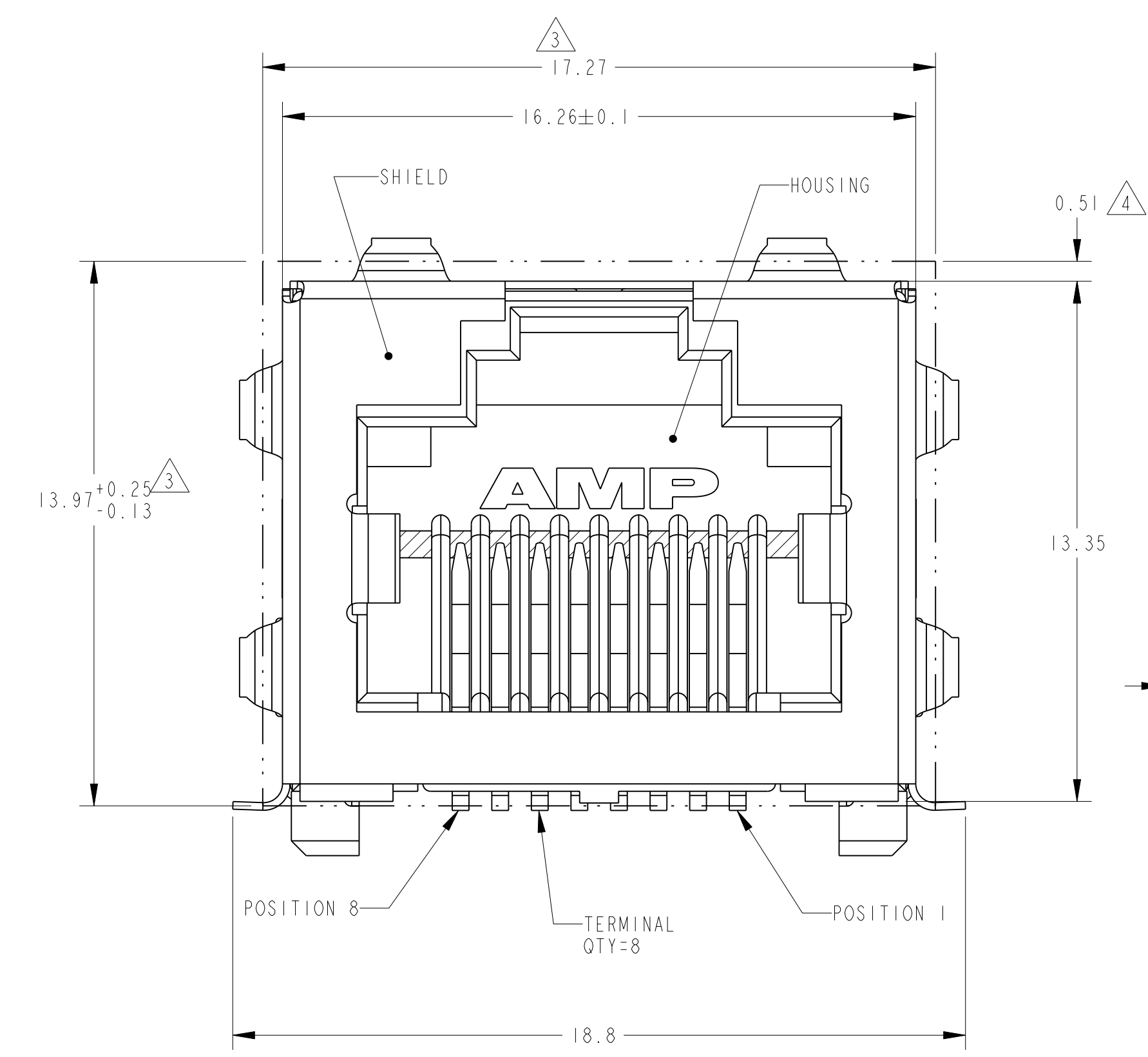
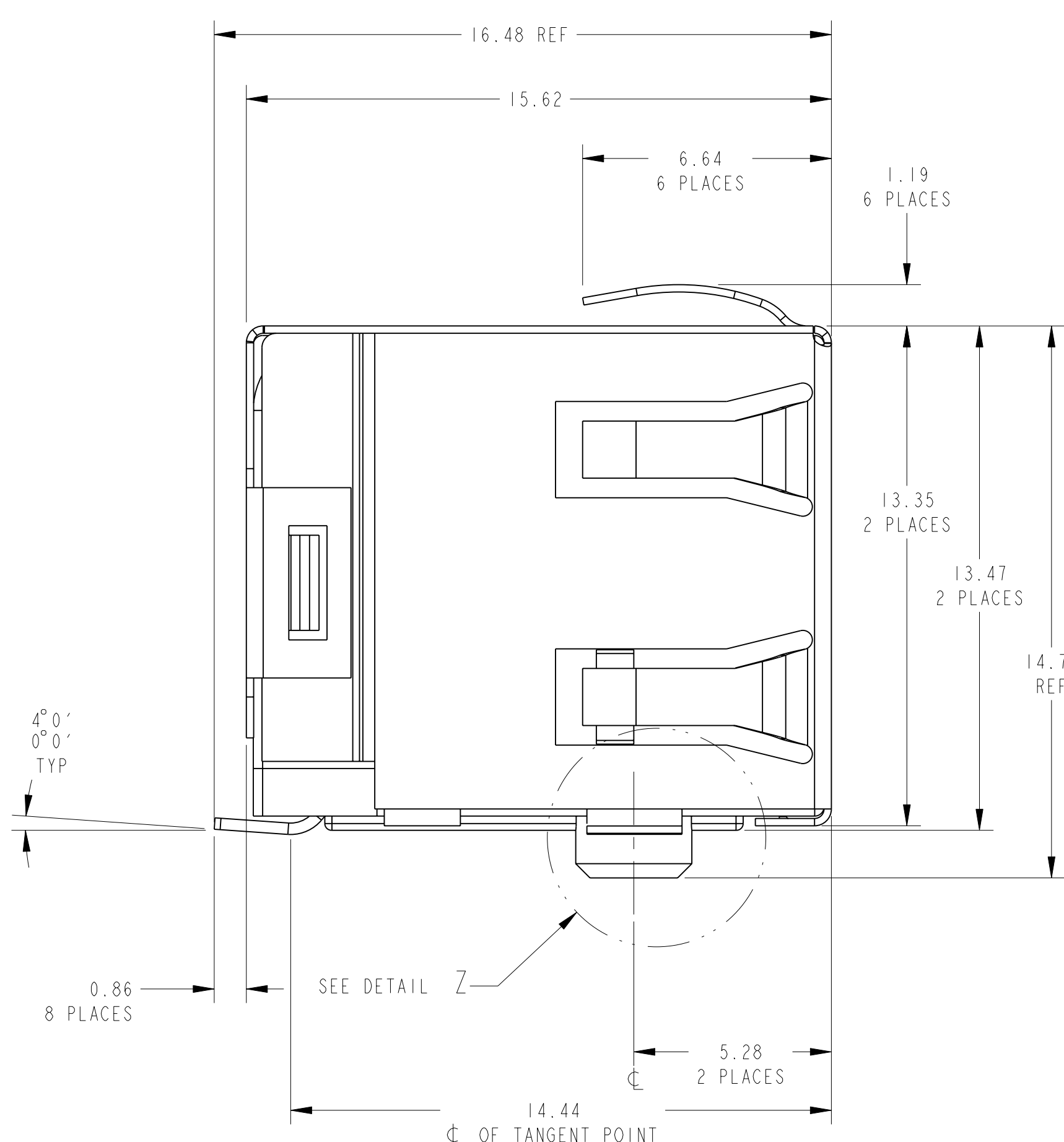
Tel: +86-755-8981 8866 Fax: +86-755-8427 6832

Email & Skype: info@chipsmall.com Web: www.chipsmall.com

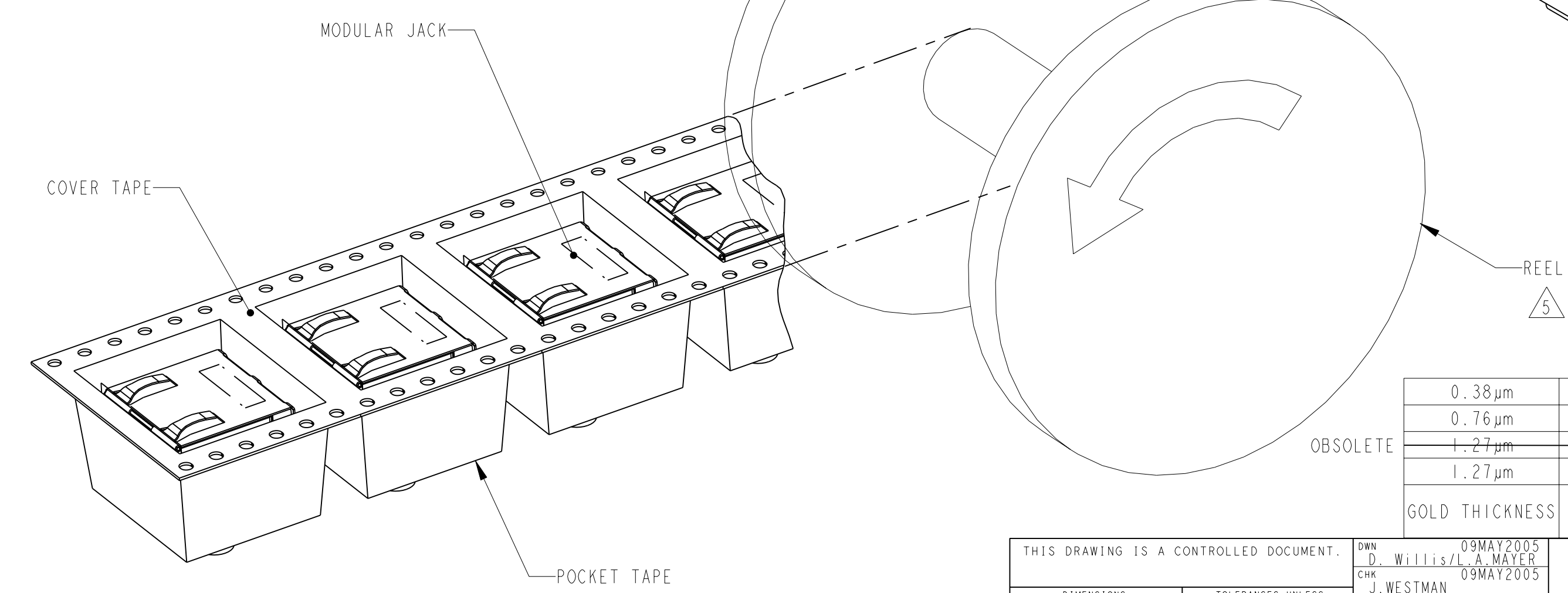
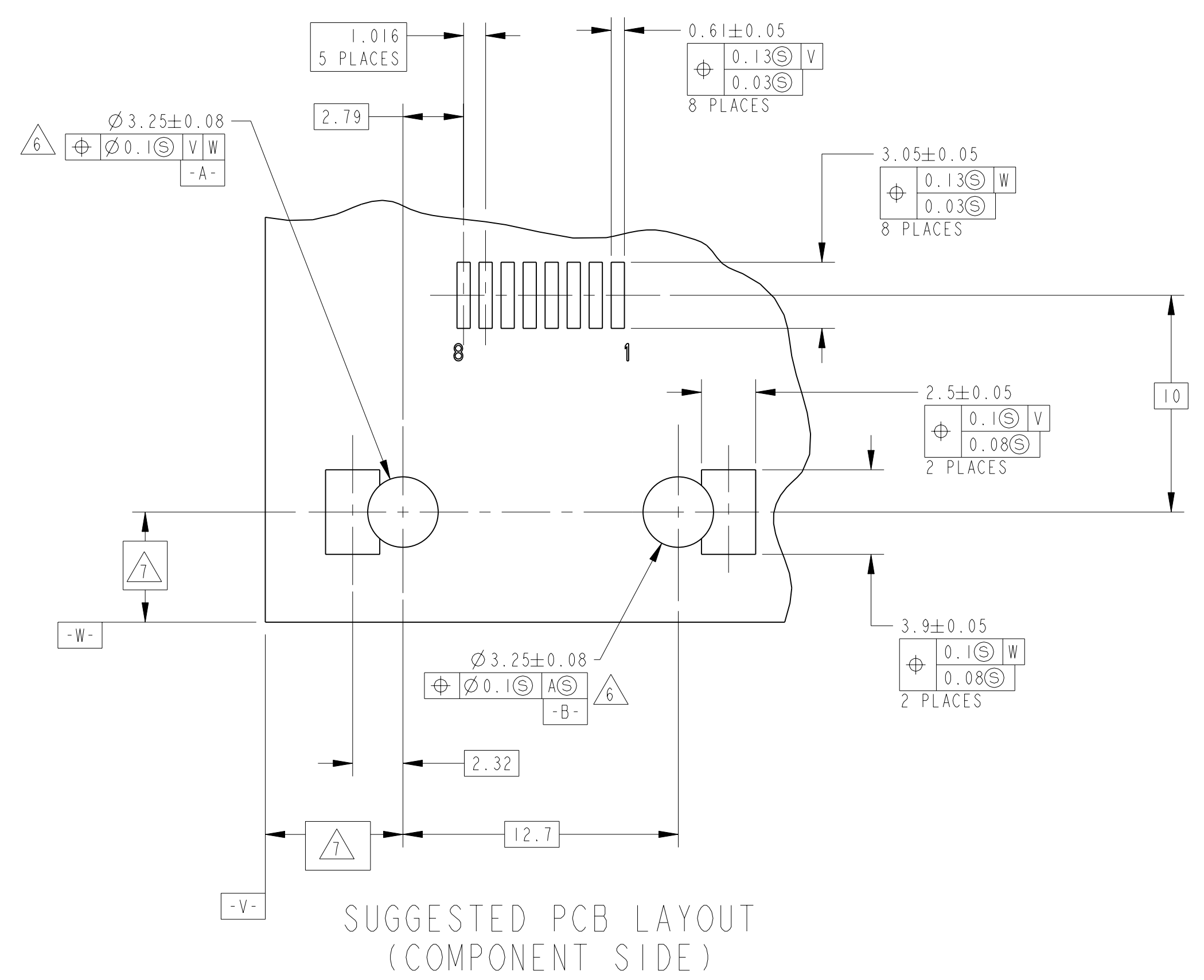
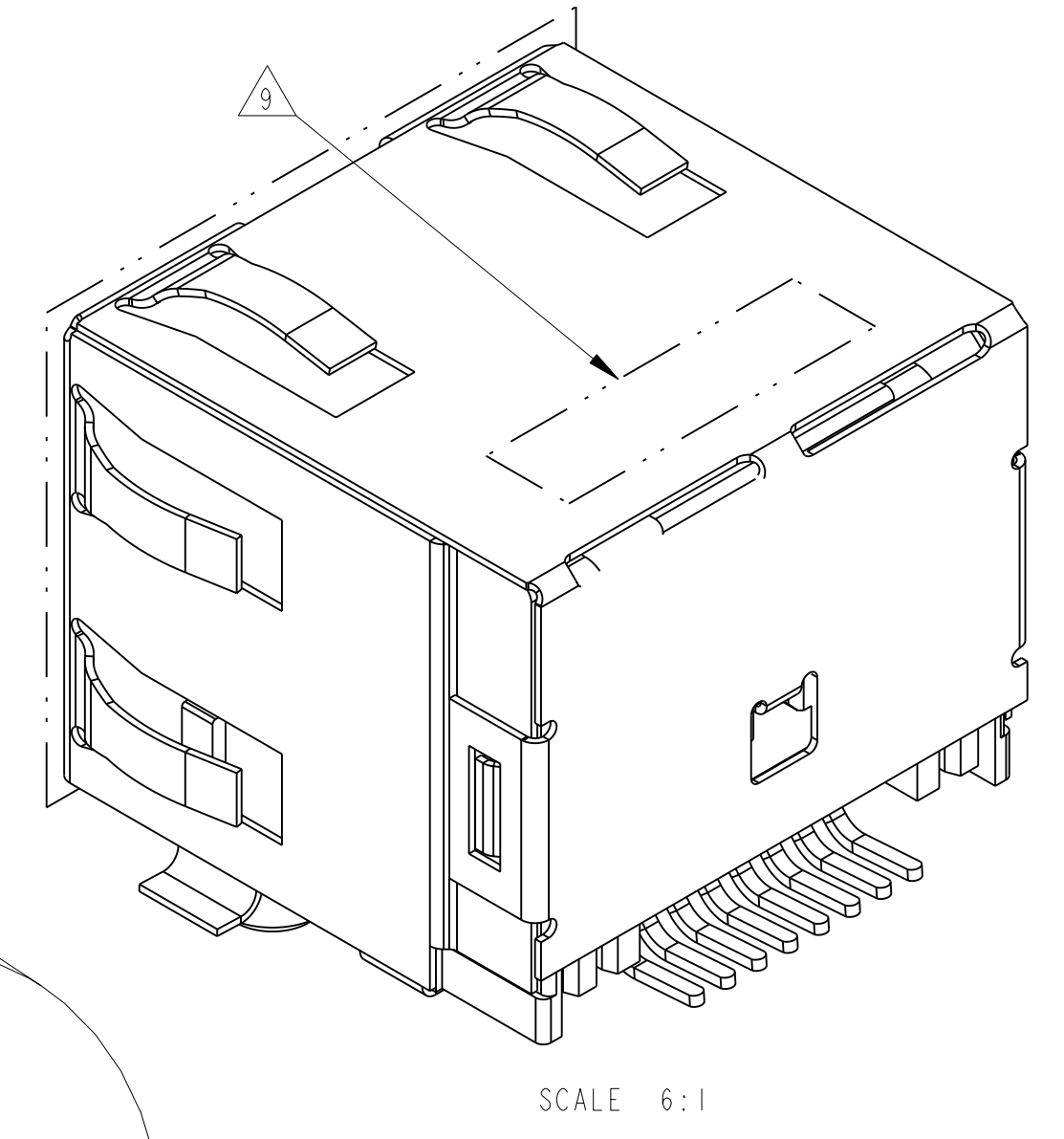
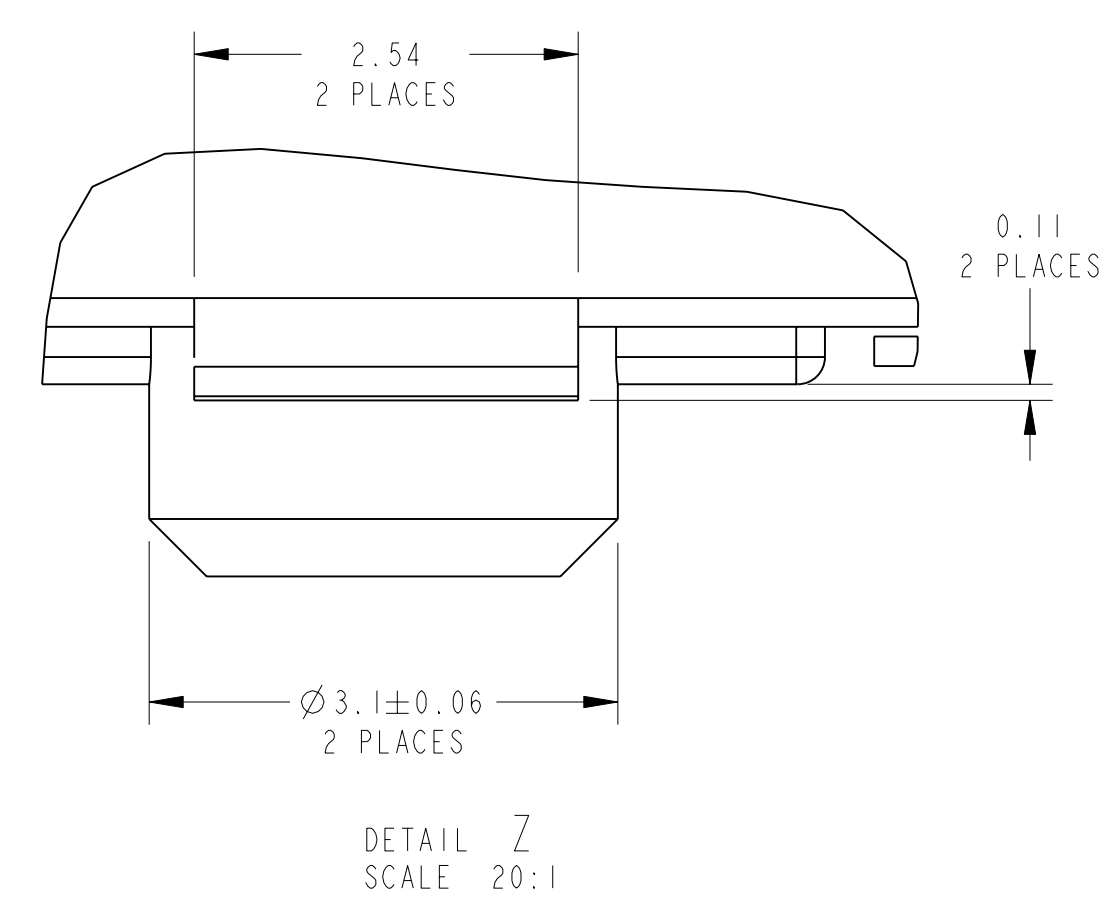
Address: A1208, Overseas Decoration Building, #122 Zhenhua RD., Futian, Shenzhen, China



LOC	DIST	REV	DESCRIPTION	DATE	OWN	APPD
IR	-	D	HOUSING RAW MATERIAL CHANGED TO LCP	18NOV2011	PS	RRP



- MATERIAL:  
 HOUSING - HIGH TEMP. THERMOPLASTIC - LCP, COLOR: SEE TABLE, UL94V-0.  
 TERMINALS - 0.30 THICK PHOS BRONZE PLATED WITH 2.03µm MIN THICK MATTE TIN IN SOLDER AREA.  
 GOLD (SEE TABLE) IN LOCALIZED PLATE AREA OVER 1.27µm MIN THICK NICKEL.  
 SHIELD - (SEE TABLE) 0.196 THK BRASS PREPLATED WITH 2.03µm-3.81µm THICK MATTE TIN OVER 0.76µm-2.03µm NICKEL UNDERPLATE, OR 0.76-2.03µm NICKEL WITH SELECTIVE TIN PLATED SOLDER TABS
  - JACK CAVITY CONFORMS TO FCC RULES AND REGULATIONS PART 68, SUBPART F.
- <sup>3</sup> SUGGESTED PANEL OPENING DIMENSIONS. SEE APPLICATION SPEC. 114-2154 FOR PANEL THICKNESS AND POSITION RECOMMENDATIONS  
<sup>4</sup> SUGGESTED CLEARANCE BETWEEN TOP OF CONNECTOR AND TOP PANEL OPENING  
<sup>5</sup> PACKAGED: POCKET TAPE & REEL (PER EIA 481 SPECIFICATIONS)  
 POCKET TAPE WIDTH - 44mm  
 POCKET PITCH - 24mm  
 POCKET DEPTH - 16.7mm  
 CLEAR COVER TAPE, PSA  
 CLEAR COVER TAPE TRAILER - 1220mm, WRAPPED ON REEL HUB  
 PLASTIC REEL - 381mm DIAMETER  
 PRODUCT QUANTITY - 200 PIECES PER REEL
- <sup>6</sup> ZERO INSERTION FORCE POST WITH RECOMMENDED PCB LAYOUT  
<sup>7</sup> DATUM ESTABLISHED BY CUSTOMER.  
<sup>8</sup> CONNECTOR SHOULD BE POSITIONED THRU PANEL CUTOUT AS SHOWN TO SUPPORT TOP OF MODULAR JACK FOR STRAIN RELIEF.  
<sup>9</sup> MANUFACTURING DATE CODE LOCATED APPROXIMATELY AS SHOWN. FIRST 2 DIGITS ARE YEAR, SECOND 2 DIGITS ARE WORK WEEK, LAST DIGIT IS THE DAY OF THE WEEK



GOLD THICKNESS	SHIELD PLATING	HOUSING COLOR	PART NUMBER
0.38µm	MATTE TIN	YELLOW	6339160-4
0.76µm	MATTE TIN	YELLOW	6339160-3
1.27µm	NICKEL	BLACK	6339160-2
1.27µm	MATTE TIN	BLACK	6339160-1

THIS DRAWING IS A CONTROLLED DOCUMENT.

DIMENSIONS: mm  
 TOLERANCES UNLESS OTHERWISE SPECIFIED:  
 9 PLC ±  
 1 PLC ±0.25  
 5 PLC ±  
 4 PLC ±  
 ANGLES ±

MATERIAL: SEE NOTE 1  
 FINISH: SEE NOTE 1

DWN: D. WILLIS/J. A. MAYER  
 CHK: J. WESTMAN  
 APVD: S. FLICKINGER  
 DATE: 09MAY2005  
 NAME: INVERTED MOD JACK ASSEMBLY, 1X1, SHIELDED SURFACE MOUNT, 8 POSITION RJ45  
 PRODUCT SPEC: 108-1163-7  
 APPLICATION SPEC: 114-6040/114-2154  
 SIZE: A1  
 CAGE CODE: 00779  
 DRAWING NO: 6339160  
 CUSTOMER DRAWING: YES  
 SCALE: 8:1  
 SHEET: 1 OF 1  
 REV: D

STC TE Connectivity  
 OBSOLETE